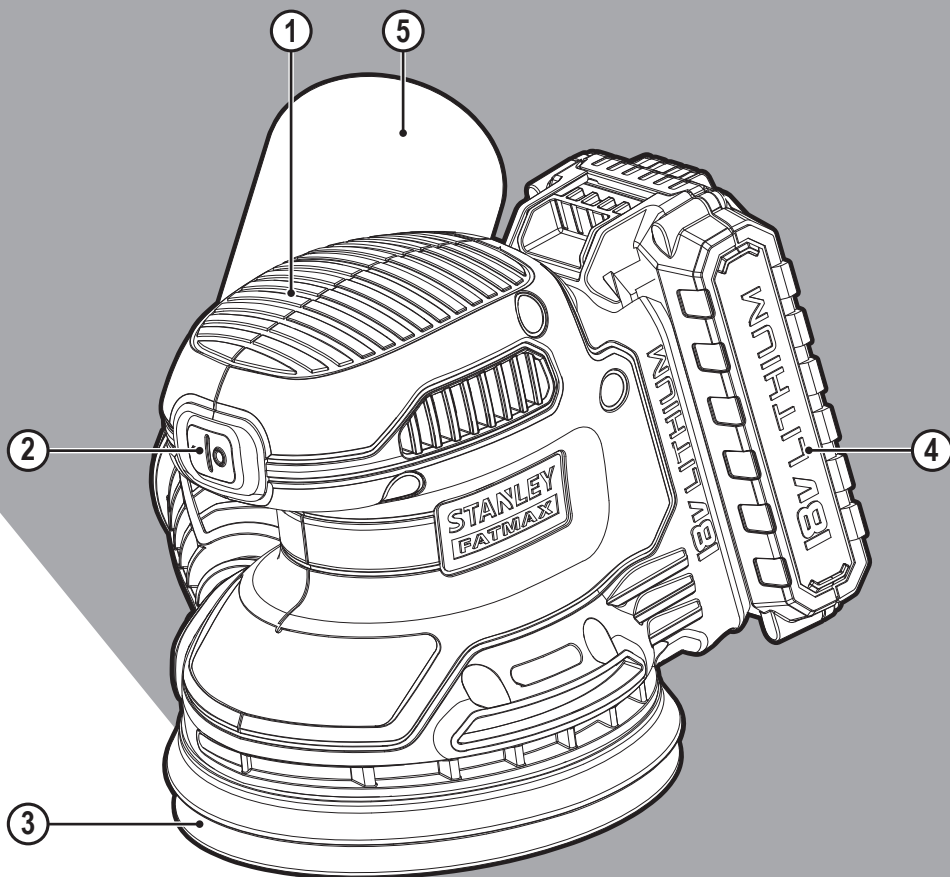


# STANLEY®

## FATMAX®



[www.stanley.eu](http://www.stanley.eu)

FMCW220

EN

DE

FR

IT

NL

ES

PT

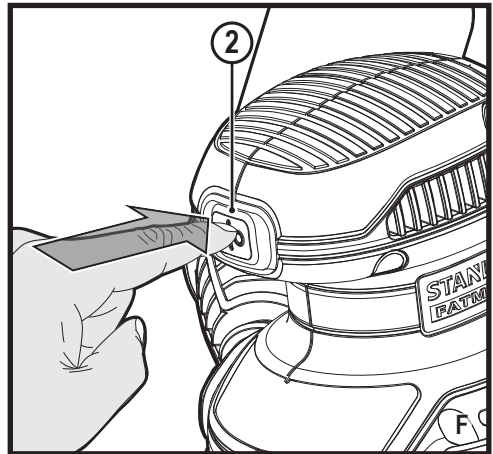
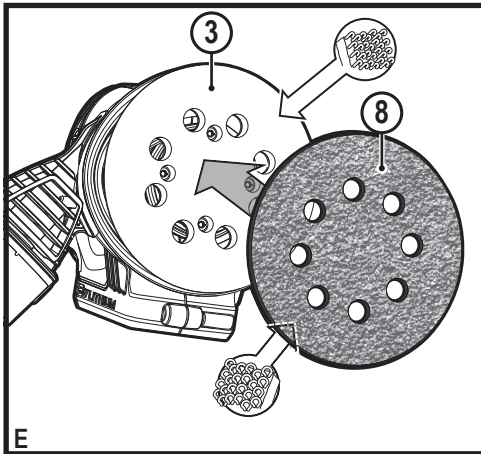
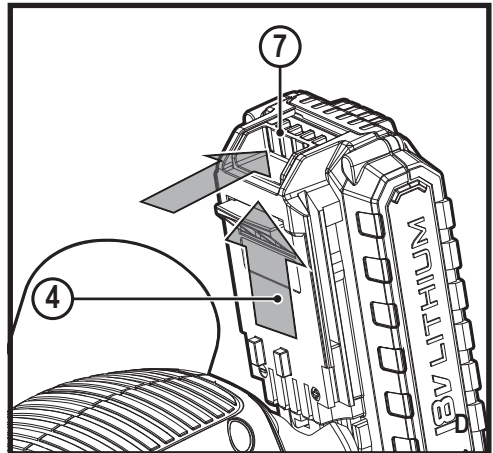
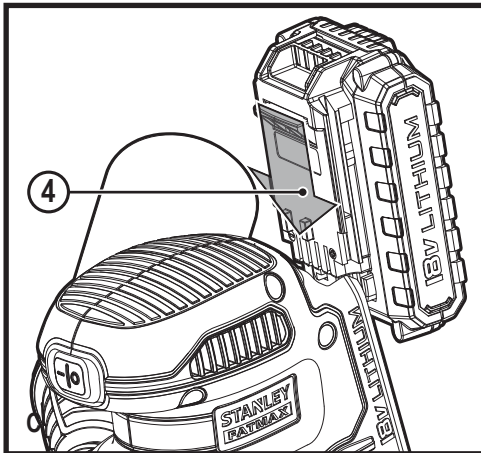
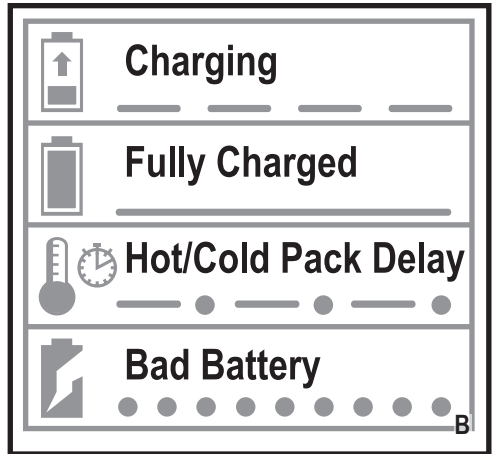
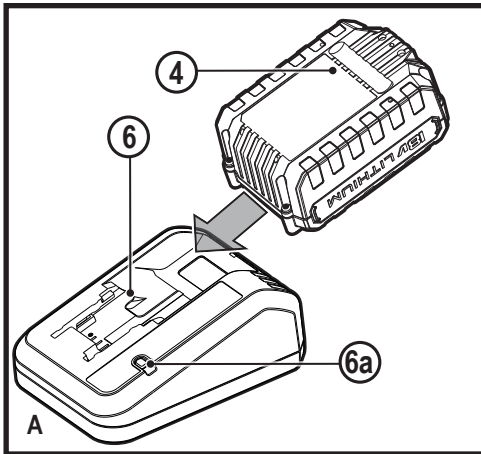
SV

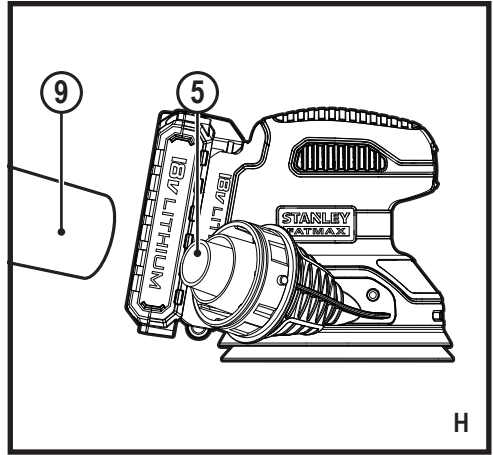
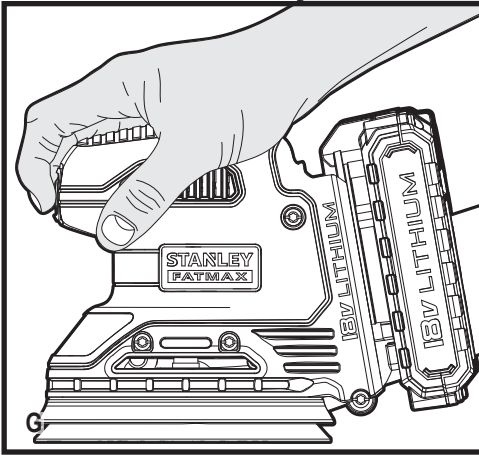
NO

DK

FI

EL





## Intended use

Your Stanley Fat Max FMCW220 random orbital sander has been designed for sanding wood, metal, plastics and painted surfaces. This appliance is intended for professional and private, non professional users.

## Safety instructions

### General power tool safety warnings



**Warning! Read all safety warnings and all instructions.** Failure to follow the warnings and instructions listed below may result in electric shock, fire and/or serious injury.

### Save all warnings and instructions for future reference.

The term "power tool" in all of the warnings listed below refers to your mains operated (corded) power tool or battery operated (cordless) power tool.

#### 1. Work area safety

- a. **Keep work area clean and well lit.** Cluttered or dark areas invite accidents.
- b. **Do not operate power tools in explosive atmospheres, such as in the presence of flammable liquids, gases or dust.** Power tools create sparks which may ignite the dust or fumes.
- c. **Keep children and bystanders away while operating a power tool.** Distractions can cause you to lose control.

#### 2. Electrical safety

- a. **Power tool plugs must match the outlet. Never modify the plug in any way. Do not use any adapter plugs with earthed (grounded) power tools.** Unmodified plugs and matching outlets will reduce risk of electric shock.
- b. **Avoid body contact with earthed or grounded surfaces such as pipes, radiators, ranges and refrigerators.**

There is an increased risk of electric shock if your body is earthed or grounded.

- c. **Do not expose power tools to rain or wet conditions.** Water entering a power tool will increase the risk of electric shock.
  - d. **Do not abuse the cord. Never use the cord for carrying, pulling or unplugging the charger. Keep cord away from heat, oil, sharp edges or moving parts.** Damaged or entangled cords increase the risk of electric shock.
  - e. **When operating a power tool outdoors, use an extension cord suitable for outdoor use.** Use of a cord suitable for outdoor use reduces the risk of electric shock.
  - f. **If operating a power tool in a damp location is unavoidable, use a residual current device (RCD) protected supply.** Use of an RCD reduces the risk of electric shock.
- #### 3. Personal safety
- a. **Stay alert, watch what you are doing and use common sense when operating a power tool. Do not use a power tool while you are tired or under the influence of drugs, alcohol or medication.** A moment of inattention while operating power tools may result in serious personal injury.
  - b. **Use personal protective equipment. Always wear eye protection.** Protective equipment such as dust mask, non-skid safety shoes, hard hat, or hearing protection used for appropriate conditions will reduce personal injuries.
  - c. **Prevent unintentional starting. Ensure the switch is in the off-position before connecting to power source and/or battery pack, picking up or carrying the tool.**

Carrying power tools with your finger on the switch or energising power tools that have the switch on invites accidents.

- d. **Remove any adjusting key or wrench before turning the power tool on.** A wrench or a key left attached to a rotating part of the power tool may result in personal injury.
- e. **Do not overreach. Keep proper footing and balance at all times.** This enables better control of the power tool in unexpected situations.
- f. **Dress properly. Do not wear loose clothing or jewellery. Keep your hair, clothing and gloves away from moving parts.** Loose clothes, jewellery or long hair can be caught in moving parts.
- g. **If devices are provided for the connection of dust extraction and collection facilities, ensure these are connected and properly used.** Use of dust collection can reduce dust-related hazards.
- h. **Do not let familiarity gained from frequent use of tools allow you to become complacent and ignore tool safety principles.** A careless action can cause severe injury within a fraction of a second.

#### 4. Power tool use and care

- a. **Do not force the power tool. Use the correct power tool for your application.** The correct power tool will do the job better and safer at the rate for which it was designed.
- b. **Do not use the power tool if the switch does not turn it on and off.** Any power tool that cannot be controlled with the switch is dangerous and must be repaired.
- c. **Disconnect the plug from the power source and/or the battery pack from the power tool before making any adjustments, changing accessories, or storing power tools.** Such preventive safety measures reduce the risk of starting the power tool accidentally.
- d. **Store idle power tools out of the reach of children and do not allow persons unfamiliar with the power tool or these instructions to operate the power tool.** Power tools are dangerous in the hands of untrained users.
- e. **Maintain power tools. Check for misalignment or binding of moving parts, breakage of parts and any other condition that may affect the power tools operation. If damaged, have the power tool repaired before use.** Many accidents are caused by poorly maintained power tools.
- f. **Keep cutting tools sharp and clean.** Properly maintained cutting tools with sharp cutting edges are less likely to bind and are easier to control.
- g. **Use the power tool, accessories and tool bits etc. in accordance with these instructions, taking into account the working conditions and the work to be performed.** Use of the power tool for operations different from those intended could result in a hazardous situation.

- h. **Keep handles and grasping surfaces dry, clean and free from oil and grease.** Slippery handles and grasping surfaces do not allow for safe handling and control of the tool in unexpected situations.

#### 5. Battery tool use and care

- a. **Recharge only with the charger specified by the manufacturer.**  
A charger that is suitable for one type of battery pack may create a risk of fire when used with another battery pack.
- b. **Use power tools only with specifically designated battery packs.** Use of any other battery packs may create a risk of injury and fire.
- c. **When battery pack is not in use, keep it away from other metal objects, like paper clips, coins, keys, nails, screws, or other small metal objects, that can make a connection from one terminal to another.**  
Shorting the battery terminals together may cause burns or a fire.
- d. **Under abusive conditions, liquid may be ejected from the battery; avoid contact. If contact accidentally occurs, flush with water. If liquid contacts eyes, additionally seek medical help.** Liquid ejected from the battery may cause irritation or burns.
- e. **Do not use a battery pack or tool that is damaged or modified.** Damaged or modified batteries may exhibit unpredictable behaviour resulting in fire, explosion or risk of injury.
- f. **Do not expose a battery pack or tool to fire or excessive temperature.** Exposure to fire or temperature above 265° F may cause explosion.
- g. **Follow all charging instructions and do not charge the battery pack or tool outside the temperature range specified in the instructions.** Charging improperly or at temperatures outside the specified range may damage the battery and increase the risk of fire.

#### 6. Service

- a. **Have your power tool serviced by a qualified repair person using only identical replacement parts.** This will ensure that the safety of the power tool is maintained.
- b. **Never service damaged battery packs.** Service of battery packs should only be performed by the manufacturer or authorised service providers.

#### Additional power tool safety warnings



**Warning!** Additional safety warnings for sanders

- ◆ **Hold power tool by insulated gripping surfaces when performing an operation where the sanding accessory may contact hidden wiring.** Sanding accessory contacting a "live" wire may make exposed metal parts of the

power tool "live" and could give the operator an electric shock

◆ **Use clamps or another practical way to secure and support the workpiece to a stable platform.**

Holding the work by hand or against your body leaves it unstable and may lead to loss of control.



**Warning!** Contact with or inhalation of dusts arising from sanding applications may endanger the health of the operator and possible bystanders. Wear a dust mask specifically designed for protection against dust and fumes and ensure that persons within or entering the work area are also protected.

- ◆ Thoroughly remove all dust after sanding.
- ◆ Take special care when sanding paint which is possibly lead based or when sanding some woods and metal which may produce toxic dust:
  - ◆ Do not let children or pregnant women enter the work area.
  - ◆ Do not eat, drink or smoke in the work area.
  - ◆ Dispose of dust particles and any other debris safely.
- ◆ The intended use is described in this instruction manual. The use of any accessory or attachment or performance of any operation with this tool other than those recommended in this instruction manual may present a risk of personal injury and/or damage to property.

### Safety of others

Never allow children, persons with reduced physical, sensory or mental capabilities or lack of experience and knowledge or people unfamiliar with these instructions to use the machine, local regulations may restrict the age of the operator.

### Residual risks

Additional residual risks may arise when using the tool which may not be included in the enclosed safety warnings. These risks can arise from misuse, prolonged use etc.

Even with the application of the relevant safety regulations and the implementation of safety devices, certain residual risks can not be avoided. These include:

- ◆ Injuries caused by touching any rotating/moving parts.
- ◆ Injuries caused when changing any parts, blades or accessories.
- ◆ Injuries caused by prolonged use of a tool. When using any tool for prolonged periods ensure you take regular breaks.
- ◆ Impairment of hearing.
- ◆ Health hazards caused by breathing dust developed when using your tool (example:- working with wood, especially oak, beech and MDF.)

### Vibration

The declared vibration emission values stated in the technical data and the declaration of conformity have been measured in accordance with a standard test method provided by EN60745 and may be used for comparing one tool with another. The declared vibration emission value may also be used in a preliminary assessment of exposure.

**Warning!** The vibration emission value during actual use of the power tool can differ from the declared value depending on the ways in which the tool is used. The vibration level may increase above the level stated.

When assessing vibration exposure to determine safety measures required by 2002/44/EC to protect persons regularly using power tools in employment, an estimation of vibration exposure should consider, the actual conditions of use and the way the tool is used, including taking account of all parts of the operating cycle such as the times when the tool is switched off and when it is running idle in addition to the trigger time.

### Labels on tool

The following pictograms are shown on the tool along with the date code:



**Warning!** To reduce the risk of injury, the user must read the instruction manual.

### Additional safety instructions for batteries and chargers

#### Batteries

- ◆ Never attempt to open for any reason.
- ◆ Do not expose the battery to water.
- ◆ Do not store in locations where the temperature may exceed 40 °C.
- ◆ Charge only at ambient temperatures between 10 °C and 40 °C.
- ◆ Charge only using the charger provided with the tool.
- ◆ When disposing of batteries, follow the instructions given in the section "Protecting the environment".

#### Chargers

- ◆ Use your BLACK+DECKER charger only to charge the battery in the tool with which it was supplied. Other batteries could burst, causing personal injury and damage.
- ◆ Never attempt to charge non-rechargeable batteries.
- ◆ Have defective cords replaced immediately.
- ◆ Do not expose the charger to water.
- ◆ Do not open the charger.
- ◆ Do not probe the charger.



The charger is intended for indoor use only.



Read the instruction manual before use.

## Electrical safety



Your charger is double insulated; therefore no earth wire is required. Always check that the mains voltage corresponds to the voltage on the rating plate. Never attempt to replace the charger unit with a regular mains plug.

- ◆ If the supply cord is damaged, it must be replaced by the manufacturer or an authorised BLACK+DECKER Centre in order to avoid a hazard.

## Features

This tool includes some or all of the following features.

1. Handle
2. On/off button
3. Sanding pad
4. Battery
5. Dust extraction outlet
6. Charger

## Charging procedure (fig. A)

Stanley FatMax chargers are designed to charge Stanley FatMax battery packs.

- ◆ Plug the charger (6) into an appropriate outlet before inserting the battery pack (4).
- ◆ Insert the battery pack (4) into the charger (6) as shown in figure A.
- ◆ The LED (6a) will flash indicating that the battery is being charged.
- ◆ The completion of charge is indicated by the LED (6a) remaining on continuously. The pack is fully charged and may be used at this time or left on the charger.

**Note:** Recharge discharged batteries as soon as possible after use or battery life may be greatly diminished. For longest battery life, do not discharge batteries fully.

It is recommended that the batteries be recharged after each use.

## Leaving the battery in the charger

The charger (6) and battery pack (4) can be left connected with the LED glowing indefinitely. The charger will keep the battery pack fresh and fully charged.

## Important charging notes

- ◆ Longest life and best performance can be obtained if the battery pack is charged when the air temperature is between 65°F and 75°F (18° - 24°C). DO NOT charge the battery pack in an air temperature below +40°F (+4.5°C), or above +105°F (+40.5°C). This is important and will prevent serious damage to the battery pack.

- ◆ The charger and battery pack may become warm to touch while charging. This is a normal condition, and does not indicate a problem. To facilitate the cooling of the battery pack after use, avoid placing the charger or battery pack in a warm environment such as in a metal shed, or an uninsulated trailer.
- ◆ If the battery pack does not charge properly:
  - ◆ Check current at receptacle by plugging in a lamp or other appliance.
  - ◆ Check to see if receptacle is connected to a light switch which turns power off when you turn out the lights.
  - ◆ Move charger and battery pack to a location where the surrounding air temperature is approximately 65°F - 75°F (18° - 24°C).
  - ◆ If charging problems persist, take the tool, battery pack and charger to your local service center.
- ◆ The battery pack should be recharged when it fails to produce sufficient power on jobs which were easily done previously. DO NOT CONTINUE to use under these conditions. Follow the charging procedure. You may also charge a partially used pack whenever you desire with no adverse affect on the battery pack.
- ◆ Foreign materials of a conductive nature such as, but not limited to, steel wool, aluminium foil, or any buildup of metallic particles should be kept away from charger cavities. Always unplug the charger from the power supply when there is no battery pack in the cavity. Unplug charger before attempting to clean.
- ◆ Do not freeze or immerse charger in water or any other liquid.

**Warning!** Do not allow any liquid to get inside charger. Never attempt to open the battery pack for any reason. If the plastic housing of the battery pack breaks or cracks, return to a service center for recycling.

## Charger Diagnostics (fig. B)

Refer to the indicators in figure B for the charge status of the battery pack.

## Bad Battery

If you see a bad battery blink pattern, do not continue to charge this battery. Return it to a service center or a collection site for recycling.

## Hot/Cold Pack Delay

When the charger detects a battery pack that is too hot or too cold, it automatically starts a Hot/Cold Pack Delay, suspending charging until the battery pack has reached an appropriate temperature. The charger then automatically switches to the pack charging mode. This feature ensures maximum battery pack life. A cold battery pack will charge at a slower rate than a warm battery pack. The pack will charge at



that slower rate throughout the entire charging cycle and will not return to maximum charge rate even if the pack warms.

## Installing and removing the battery pack from the tool

### To install battery pack (fig. C)

- ◆ Insert battery (4) into tool until an audible click is heard (Figure. C)
- ◆ Ensure battery pack is fully seated and fully latched into position.

### To remove battery pack (fig. D)

- ◆ Depress the battery release button (7) as shown in figure D and pull battery pack (4) out of the tool.

## Attaching hook and loop sanding discs (fig. E)

For best results, use Stanley FatMax accessories.

- ◆ Your sander is designed for use with either mesh carbide sandpaper or with standard sand paper with the 8 hole dust extraction pattern.
- ◆ To attach the sanding disc (8), carefully center it over the sanding pad (3) ensuring the holes in the disc align with the holes in the pad and press the disc firmly in place.
- ◆ The hook and loop fastening system sanding disc can be easily removed by simply pulling it off. It can be reused as desired.

## Use

**Warning!** Let the tool work at its own pace. Do not overload.

## Switching on and off (fig. F)

- ◆ To switch the tool on, depress the on/off switch (2) at the "I" position.
- ◆ To switch the tool off, depress the on/off switch (2) at the "O" position.

## Operation

Grasp the sander as shown in figure G and turn it ON. Move it in long, sweeping strokes along the surface, letting it do the work.

Pushing down on the tool while sanding actually slows the removal rate and produces an inferior quality finish.

Check your work often. Sander is capable of removing material rapidly especially with coarse paper.

## Dust Collection

**Warning!** Collected sanding dust from sanding surface coatings (polyurethane, linseed oil, etc.) can selfignite and cause fire. To reduce risk, strictly follow sander manual and coating manufacturer's instructions.

## Connecting a vacuum cleaner (fig. H)

- ◆ Insert the hose (9) of the vacuum cleaner into the dust extraction outlet (5).

## Maintenance

Your tool has been designed to operate over a long period of time with a minimum of maintenance. Continuous satisfactory operation depends upon proper tool care and regular cleaning.

**Warning!** Before performing any maintenance, switch off and unplug the tool.

- ◆ Regularly clean the ventilation slots in your tool using a soft brush or dry cloth.
- ◆ Regularly clean the motor housing using a damp cloth. Do not use any abrasive or solvent-based cleaner.

## Mains plug replacement (U.K. & Ireland only)

If a new mains plug needs to be fitted:

- ◆ Safely dispose of the old plug.
- ◆ Connect the brown lead to the live terminal in the new plug.
- ◆ Connect the blue lead to the neutral terminal.

**Warning!** No connection is to be made to the earth terminal. Follow the fitting instructions supplied with good quality plugs. Recommended fuse: 5 A.

## Protecting the environment



Separate collection. Products and batteries marked with this symbol must not be disposed of with normal household waste

Products and batteries contain materials that can be recovered or recycled reducing the demand for raw materials. Please recycle electrical products and batteries according to local provisions. Further information is available at [www.2helpU.com](http://www.2helpU.com)

## Technical data

		FMCW220
Input voltage	V <sub>ac</sub>	18
Oscillations (no load)	min <sup>-1</sup>	12000
Orbits (no load)	min <sup>-1</sup>	12000
Sanding base surface	mm <sup>2</sup>	12660
Weight	kg	1.02
Battery		FMC687L
Voltage	V <sub>dc</sub>	18
Capacity	Ah	2.0
Type		1

Charger	90608625	
Input voltage	$V_{AC}$	230
output voltage	$V_{DC}$	18
Current	mA	2000

$L_{PA}$  (sound pressure) 68 dB(A), Uncertainty (K) 3 dB(A)

$L_{WA}$  (sound power) 79 dB(A), Uncertainty (K) 3 dB(A)

Vibration total values (triax vector sum) according to EN 60745:

Vibration emission value:

Main handle ( $a_h$ ) 5.98 m/s<sup>2</sup>, uncertainty (K) 1.5 m/s<sup>2</sup>

Auxiliary handle ( $a_a$ ) 7.3 m/s<sup>2</sup>, uncertainty (K) 1.5 m/s<sup>2</sup>

## EC declaration of conformity

MACHINERY DIRECTIVE



### FMCW220 Random orbital sander

Stanley Europe declares that these products described under "technical data" are in compliance with:  
2006/42/EC, EN60745-1:2009+A11:2010,  
EN60745-2-4:2009+A11:2011

These products also comply with Directive 2014/30/EU and 2011/65/EU. For more information, please contact Stanley Fat Max at the following address or refer to the back of the manual.

The undersigned is responsible for compilation of the technical file and makes this declaration on behalf of Stanley FatMax.

R. Laverick  
Director of Engineering  
Stanley Europe, Egide Walschaertsstraat 14-18,  
2800 Mechelen, Belgium  
22/08/2017

## Garantie

Stanley Fat Max is confident of the quality of its products and offers consumers a 12 month guarantee from the date of purchase. This guarantee is in addition to and in no way prejudices your statutory rights. The guarantee is valid within the territories of the Member States of the European Union and the European Free Trade Area.

To claim on the guarantee, the claim must be in accordance with Stanley Fat Max Terms and Conditions and you will need

to submit proof of purchase to the seller or an authorised repair agent.

Terms and conditions of the Stanley Fat Max 1 year guarantee and the location of your nearest authorised repair agent can be obtained on the Internet at [www.2helpU.com](http://www.2helpU.com), or by contacting your local Stanley Fat Max office at the address indicated in this manual.

Please visit our website [www.stanley.eu/3](http://www.stanley.eu/3) to register your new Stanley Fat Max product and receive updates on new products and special offers.

## DEUTSCH

(Übersetzung der ursprünglichen Anweisungen)

## Verwendungszweck

Ihr Stanley FatMax Exzenterschleifer FMCW220 wurde zum Schleifen von Holz, Metall, Kunststoff und lackierten Oberflächen entwickelt. Dieses Gerät ist zum gewerblichen und privaten Einsatz vorgesehen.

## Sicherheitshinweise

### Allgemeine Sicherheitswarnungen für das Gerät



**Warnung! Lesen Sie alle Sicherheitswarnhinweise und alle Anweisungen.** Die Nichteinhaltung der folgenden Warnungen und Anweisungen kann einen elektrischen Schlag, Brand und/oder schwere Verletzungen verursachen.

**Bewahren Sie alle Sicherheitswarnungen und Anweisungen gut auf.** Der nachfolgend verwendete Begriff "Gerät" bezieht sich auf netzbetriebene Geräte (mit Netzkabel) und auf akkubetriebene Geräte (ohne Netzkabel).

#### 1. Sicherheit im Arbeitsbereich

- a. **Halten Sie Ihren Arbeitsbereich sauber und gut ausgeleuchtet.** Unaufgeräumte oder dunkle Bereiche begünstigen Unfälle.
- b. **Betreiben Sie das Gerät nicht in Umgebungen, in denen Explosionsgefahr z. B. aufgrund von brennbaren Flüssigkeiten, Gasen oder Staub besteht.** Geräte erzeugen Funken, die den Staub oder die Dämpfe entzünden können.
- c. **Halten Sie Kinder und andere Personen während der Benutzung eines Geräts fern.** Bei Ablenkung können Sie die Kontrolle verlieren.



## 2. Elektrische Sicherheit

- a. **Der Netzstecker des Geräts muss in die Steckdose passen. Ändern Sie niemals den Stecker in irgendeiner Form. Verwenden Sie keinerlei Adapterstecker an geerdeten Elektrogeräten.**  
Unveränderte Stecker und passende Steckdosen mindern die Gefahr eines elektrischen Schlages.
- b. **Vermeiden Sie Körperkontakt mit geerdeten Oberflächen von Rohren, Heizungen, Herden und Kühlschränken.** Es besteht eine erhöhte Gefahr für einen elektrischen Schlag, wenn Ihr Körper geerdet ist.
- c. **Halten Sie Geräte von Regen und Nässe fern.** Das Eindringen von Wasser in ein Gerät erhöht das Risiko eines elektrischen Schlags.
- d. **Verwenden Sie das Kabel ordnungsgemäß. Verwenden Sie das Kabel niemals zum Tragen. Trennen Sie das Gerät nicht durch Ziehen am Kabel oder Abziehen des Ladegeräts vom Strom. Halten Sie das Kabel fern von Hitze, Öl, scharfen Kanten oder beweglichen Teilen.** Beschädigte oder verhedderte Kabel erhöhen die Gefahr eines elektrischen Schlages.
- e. **Verwenden Sie nur für den Außenbereich zugelassene Verlängerungskabel, wenn Sie mit dem Gerät im Freien arbeiten.** Die Verwendung eines für den Außenbereich geeigneten Verlängerungskabels verringert das Risiko eines elektrischen Schlags.
- f. **Wenn das Gerät in einer feuchten Umgebung verwendet werden muss, schließen Sie es unbedingt an eine Steckdose mit Fehlerstromschutzschalter (FI-Schalter) an.** Ein Fehlerstromschutzschalter verringert das Risiko eines elektrischen Schlags.

## 3. Sicherheit von Personen

- a. **Seien Sie aufmerksam, achten Sie darauf, was Sie tun, und gehen Sie sachgerecht mit einem Gerät um. Benutzen Sie kein Gerät, wenn Sie müde sind oder unter dem Einfluss von Drogen, Alkohol oder Medikamenten stehen.**  
Ein Moment der Unachtsamkeit beim Betrieb eines Geräts kann zu schweren Verletzungen führen.
- b. **Verwenden Sie eine geeignete Schutzausrüstung. Tragen Sie immer einen Augenschutz.** Das Tragen persönlicher Schutzausrüstung, wie Staubmaske, rutschfeste Sicherheitsschuhe, Schutzhelm oder Gehörschutz, je nach Art und Einsatz des Geräts, verringert das Risiko von Verletzungen.
- c. **Vermeiden Sie eine unbeabsichtigte Inbetriebnahme. Vergewissern Sie sich, dass das Gerät ausgeschaltet ist, bevor Sie es an eine Steckdose oder einen Akku anschließen, es hochheben oder tragen.** Wenn Sie beim Tragen des Geräts den Finger am Schalter haben oder das Gerät eingeschaltet an die Stromversorgung anschließen, kann dies zu Unfällen führen.

- d. **Entfernen Sie Einstell- oder Schraubenschlüssel, bevor Sie das Gerät einschalten.** Werkzeuge oder Schlüssel, die an rotierenden Teilen des Geräts angebracht sind, können zu Verletzungen führen.
- e. **Beugen Sie sich nicht zu weit nach vorne. Sorgen Sie für einen sicheren Stand und halten Sie jederzeit das Gleichgewicht.** Dadurch können Sie das Gerät in unerwarteten Situationen besser kontrollieren.
- f. **Tragen Sie geeignete Kleidung. Tragen Sie keine weite Kleidung und keinen Schmuck. Halten Sie Ihre Haare, Kleidung und Handschuhe von beweglichen Teilen fern.** Lose sitzende Kleidung, Schmuck oder lange Haare können sich in den beweglichen Teilen verfangen.
- g. **Falls Vorrichtungen zum Absaugen oder Auffangen von Staub vorhanden sind, vergewissern Sie sich, dass diese angeschlossen sind und richtig verwendet werden.** Das Verwenden einer Staubauffangvorrichtung verringert Gefährdungen durch Staub.
- h. **Vermeiden Sie, durch die häufige Nutzung des Werkzeugs in einen Trott zu verfallen und Prinzipien für die Werkzeugsicherheit zu ignorieren.** Eine unachtsame Aktion kann im Bruchteil einer Sekunde zu schweren Verletzungen führen.

## 4. Gebrauch und Pflege von Geräten

- a. **Überlasten Sie das Gerät nicht. Verwenden Sie das für Ihre Arbeit passende Gerät.** Das richtige Gerät wird die Aufgabe besser und sicherer erledigen, wenn es bestimmungsgemäß verwendet wird.
- b. **Verwenden Sie das Gerät nicht, wenn der Ein-/Ausschalter nicht funktioniert.** Ein Gerät, das sich nicht mehr ein- oder ausschalten lässt, ist gefährlich und muss repariert werden.
- c. **Ziehen Sie den Stecker aus der Steckdose, oder trennen Sie das Gerät vom Akku, bevor Sie Einstellungen vornehmen, Zubehörteile wechseln oder das Gerät lagern.** Diese Vorbeugemaßnahmen mindern die Gefahr, dass das Elektrogerät unbeabsichtigt startet.
- d. **Bewahren Sie unbenutzte Geräte außerhalb der Reichweite von Kindern auf. Lassen Sie Geräte nicht von Personen benutzen, die damit nicht vertraut sind oder diese Anweisungen nicht gelesen haben.** Geräte sind in den Händen nicht geschulter Personen gefährlich.
- e. **Halten Sie das Gerät in einem einwandfreien Zustand. Kontrollieren Sie, ob bewegliche Teile falsch ausgerichtet sind oder klemmen und ob Teile gebrochen oder so beschädigt sind, dass die Funktion des Geräts beeinträchtigt ist. Bei Beschädigungen lassen Sie das Gerät reparieren, bevor Sie es verwenden.** Viele Unfälle entstehen wegen mangelnder Wartung der Geräte.

- f. **Halten Sie Schneidgeräte scharf und sauber.** Richtig gewartete Schneidwerkzeuge mit scharfen Klingen blockieren seltener und sind leichter unter Kontrolle zu halten.
- g. **Verwenden Sie Gerät, Zubehör, Einsatz-Bits usw. entsprechend diesen Anweisungen und berücksichtigen Sie dabei die Arbeitsbedingungen und die auszuführende Arbeit.** Der Gebrauch von Geräten für andere als die vorgesehenen Zwecke kann zu gefährlichen Situationen führen.
- h. **Halten Sie die Griffe trocken, sauber und frei von Öl und Fett.** Rutschige Griffe und Oberflächen unterbinden die sichere Bedienbarkeit und Kontrolle über das Werkzeug in unerwarteten Situationen.

### 5. Gebrauch und Pflege von Akkuwerkzeugen

- a. **Laden Sie den Akku nur mit dem vom Hersteller vorgesehenen Ladegerät auf.**  
Für ein Ladegerät, das nur für eine bestimmte Akkuart geeignet ist, besteht Brandgefahr, wenn es mit anderen Akkus verwendet wird.
- b. **Verwenden Sie nur die für das jeweilige Gerät vorgesehenen Akkus.** Die Verwendung anderer Akkus kann zu Verletzungen oder Bränden führen.
- c. **Bewahren Sie den Akku bei Nichtbenutzung nicht in der Nähe metallischer Objekte wie Büroklammern, Münzen, Schlüssel, Nägeln oder Schrauben auf, da diese eine Verbindung zwischen beiden Polen des Akkus herstellen können.** Durch den dadurch entstehenden Kurzschluss kann der Akku in Brand geraten.
- d. **Bei falscher Anwendung kann Flüssigkeit aus dem Akku austreten. Vermeiden Sie den Kontakt damit. Bei unbeabsichtigtem Kontakt mit Wasser abspülen. Gelangt die Flüssigkeit in die Augen, ziehen Sie außerdem ärztliche Hilfe hinzu.** Austretende Akkuflüssigkeit kann zu Hautreizungen oder Verbrennungen führen.
- e. **Verwenden Sie keine Akkus oder Werkzeuge, die beschädigt sind oder modifiziert wurden.** Beschädigte oder modifizierte Akkus können sich unvorhersehbar verhalten und stellen ein Risiko von Feuer, Explosionen oder Verletzungen dar.
- f. **Setzen Sie Akkus und Werkzeuge keinem Feuer oder extremen Temperaturen aus. Die Einwirkung von Feuer oder Temperaturen über 130°C kann zu Explosionen führen.** Die Einwirkung von Feuer oder Temperaturen über 130°C kann zu Explosionen führen.
- g. **Befolgen Sie alle Anweisungen zum Aufladen und laden Sie den Akku oder das Werkzeug nicht jenseits des in der Anleitung angegebenen Temperaturbereichs auf.** Das falsche Aufladen oder das Aufladen bei Temperaturen jenseits des angegebenen

Bereichs kann den Akku beschädigen und das Brandrisiko erhöhen.

### 6. Service

- a. **Lassen Sie das Gerät nur von qualifiziertem Fachpersonal und nur mit Originalersatzteilen reparieren.** Damit wird sichergestellt, dass die Sicherheit des Geräts erhalten bleibt.
- b. **Führen Sie an beschädigten Akkus niemals Wartungsarbeiten durch.** Die Wartung von Akkus darf nur vom Hersteller oder von autorisierten Dienstleistern durchgeführt werden.

### Zusätzliche Sicherheitswarnungen für das Gerät



**Warnung!** Zusätzliche Sicherheitswarnungen für Schleifgeräte

- ◆ **Halten Sie das Elektrowerkzeug an den isolierten Griffflächen, wenn Arbeiten durchgeführt werden, bei denen das Schleifzubehör versteckte Leitungen berühren könnte.** Der Kontakt mit stromführenden Leitungen kann auch offen liegende Metallteile am Gerät unter Strom setzen und zu einem Stromschlag führen.
- ◆ **Sichern Sie das Werkstück zum Beispiel mit Einspannvorrichtungen auf einer stabilen Plattform.** Das Werkstück ist instabil, wenn es mit der Hand oder dem Körper abgestützt wird, was zum Verlust der Kontrolle führen kann.



**Warnung!** Die beim Schleifen von bestimmten Materialien entstehenden Stäube können bei Berührung oder Einatmen die Gesundheit schädigen. Tragen Sie eine speziell für den Schutz vor Staub und Dämpfen vorgesehene Staubmaske, und stellen Sie sicher, dass auch andere Personen entsprechend geschützt sind, die den Arbeitsplatz betreten oder sich dort aufhalten.

- ◆ Entfernen Sie nach dem Schleifen sorgfältig alle Staubreste.
- ◆ Treffen Sie beim Schleifen von möglicherweise bleihaltiger Farbe oder von bestimmten Holz- und Metallarten, die giftigen Staub bilden können, besondere Maßnahmen:
  - ◆ Verhindern Sie, dass Kinder oder Schwangere den Arbeitsplatz betreten.
  - ◆ Essen, trinken und rauchen Sie nicht am Arbeitsplatz.
  - ◆ Entsorgen Sie Staubteilchen und andere Schleifabfälle sachgerecht.
- ◆ Die bestimmungsgemäße Verwendung ist in dieser Betriebsanleitung beschrieben. Die Verwendung von Zubehör- oder Anbauteilen, die nicht in dieser Anleitung empfohlen werden, sowie die Bedienung des Geräts in Abweichung von den in dieser Anleitung beschriebenen

Verfahren können zu Verletzungen und/oder Sachschäden führen.

### Sicherheit anderer Personen

Lassen Sie diese Maschine niemals von Personen mit eingeschränkten körperlichen, sensorischen oder geistigen Fähigkeiten oder mangelnder Erfahrung und Wissen in Bezug auf diese Anweisungen bedienen; örtliche Bestimmungen können das Alter des Benutzers einschränken.

### Restrisiken

Beim Gebrauch dieses Geräts verbleiben zusätzliche Restrisiken, die möglicherweise nicht in den Sicherheitswarnungen genannt werden. Diese Risiken bestehen beispielsweise bei Missbrauch oder längerem Gebrauch.

Auch bei der Einhaltung der entsprechenden Sicherheitsvorschriften und der Verwendung aller Sicherheitsgeräte bestehen weiterhin bestimmte Restrisiken. Diese sind:

- ◆ Verletzungen, die durch das Berühren von sich drehenden/bewegenden Teilen verursacht werden.
- ◆ Verletzungen, die durch das Austauschen von Teilen, Messern oder Zubehör verursacht werden.
- ◆ Der längere Gebrauch eines Geräts kann Verletzungen zur Folge haben. Legen Sie bei längerem Gebrauch regelmäßige Pausen ein.
- ◆ Schwerhörigkeit.
- ◆ Gesundheitsrisiken durch das Einatmen von Staub beim Gebrauch des Geräts (z. B. bei Holzarbeiten, insbesondere Eiche, Buche und Pressspan).

### Vibration

Die in den Abschnitten "Technische Daten" und "EU-Konformitätserklärung" angegebenen Werte für die Vibrationsemission wurden mit einer Standard-Prüfmethode nach EN60745 ermittelt und können zum Vergleich verschiedener Geräte herangezogen werden. Außerdem kann mit Hilfe dieses Werts die Belastung bei Verwendung des Geräts schon im Voraus eingeschätzt werden.

**Warnung!** Die bei Verwendung des Geräts auftretende Vibrationsemission hängt von der Art des Gerätegebrauchs ab und kann dementsprechend von dem angegebenen Wert abweichen. Gegebenenfalls kann die Vibration über dem angegebenen Wert liegen.

Für die Ermittlung der Vibrationsbelastung müssen die tatsächlichen Einsatzbedingungen und Verwendungen des Geräts während des gesamten Arbeitsgangs berücksichtigt werden, einschließlich der Zeiten, wenn das Gerät nicht verwendet oder im Leerlauf betrieben wird. Diese Werte werden benötigt, um die gemäß 2002/44/EG erforderlichen Sicherheitsmaßnahmen zum Schutz von Personen festlegen zu können.

### Etiketten am Werkzeug

Am Gerät sind die folgenden Piktogramme inkl. Datumscode angebracht:



**Warnung!** Lesen Sie vor Gebrauch die Anleitung. Andernfalls besteht Verletzungsgefahr.

### Zusätzliche Sicherheitshinweise für Akkus und Ladegeräte Akkus

- ◆ Keinesfalls versuchen, den Akku zu öffnen.
- ◆ Achten Sie darauf, dass der Akku nicht mit Wasser in Berührung kommt.
- ◆ Nicht bei Temperaturen über 40 °C lagern.
- ◆ Laden Sie den Akku ausschließlich bei Umgebungstemperaturen zwischen 10 °C und 40 °C.
- ◆ Verwenden Sie ausschließlich das mitgelieferte Ladegerät.
- ◆ Bei der Entsorgung von Akkus oder Batterien die Hinweise im Abschnitt "Umweltschutz" beachten.

### Ladegeräte

- ◆ Verwenden Sie das BLACK+DECKER Ladegerät nur für den Akku des Werkzeugs, mit dem es geliefert wurde. Andere Akkus können platzen und Sachschäden oder Verletzungen verursachen.
- ◆ Versuchen Sie keinesfalls, nicht aufladbare Batterien zu laden.
- ◆ Lassen Sie beschädigte Kabel sofort austauschen.
- ◆ Achten Sie darauf, dass das Ladegerät nicht mit Wasser in Berührung kommt.
- ◆ Versuchen Sie nicht, das Ladegerät zu öffnen.
- ◆ Nehmen Sie am Ladegerät keine Veränderungen vor.



Das Ladegerät darf nur im Innenbereich verwendet werden.



Vor Gebrauch die Anleitung lesen.

### Elektrische Sicherheit



Das Ladegerät ist schutzisoliert, daher ist keine Erdleitung erforderlich. Stellen Sie sicher, dass die Netzspannung der auf dem Typenschild des Geräts angegebenen Spannung entspricht. Ersetzen Sie das Ladegerät keinesfalls durch ein normales Netzkabel.

- ◆ Bei einer Beschädigung des Netzkabels muss dieses durch den Hersteller oder eine BLACK+DECKER-Werkstatt ausgetauscht werden, um mögliche Gefahren zu vermeiden.

## Merkmale

Dieses Gerät verfügt über einige oder alle der folgenden

Merkmale:

1. Griff
2. Ein-Aus-Taste
3. Schleifplatte
4. Akku
5. Staubabsaugauslass
6. Ladegerät

## Aufladen (Abb. A)

Stanley FatMax-Ladegeräte sind zum Aufladen von Stanley FatMax-Akkus vorgesehen.

- ◆ Setzen Sie das Ladegerät (6) in eine geeignete Steckdose ein, bevor Sie den Akku (4) einsetzen.
- ◆ Setzen Sie den Akku (4) wie in Abbildung A gezeigt in das Ladegerät (6) ein.
- ◆ Die LED (6a) blinkt, wenn der Akku geladen wird.
- ◆ Der Abschluss des Ladevorgangs wird dadurch angezeigt, dass die LED (6a) dauerhaft leuchtet. Der Akku ist vollständig aufgeladen und kann jetzt verwendet oder in der Ladestation gelassen werden.

**Hinweis:** Laden Sie entladene Akkus so bald wie möglich nach dem Gebrauch wieder auf, da sonst die Batteriebensdauer stark verringert werden kann. Um die maximal Akkulaufzeit zu erreichen, sollte der Akku nicht vollständig entladen werden.

Es wird empfohlen, den Akku nach jedem Gebrauch aufzuladen.

## Belassen des Akkus im Ladegerät

Sie können den Akku (4) auch im Ladegerät (6) belassen. In diesem Fall leuchtet die LED-Anzeige dauerhaft. Das Ladegerät hält den Akku in einem vollständig geladenen Zustand.

## Wichtige Hinweise zum Aufladen

- ◆ Die längste Lebensdauer und beste Leistung wird erhalten, wenn der Akku bei einer Lufttemperatur zwischen 18° und 24°C aufgeladen wird. Laden Sie den Akku NICHT bei einer Umgebungstemperatur unter +4,5°C oder über +40,5°C auf. Dies ist wichtig und verhindert schwere Schäden am Akku.
- ◆ Das Ladegerät und der Akku können sich während des Ladevorgangs warm anfühlen. Dies ist ein normaler Zustand und weist nicht auf ein Problem hin. Um das Abkühlen des Akkus nach dem Gebrauch zu erleichtern, platzieren Sie das Ladegerät und den Akku nicht in einer warmen Umgebung, wie beispielsweise in einem Metallschuppen oder einem nicht isolierten Wohnwagen.
- ◆ Wenn der Akku nicht richtig aufgeladen wird:

- ◆ Prüfen Sie, ob die Steckdose unter Spannung steht, indem Sie eine Lampe oder ein anderes Gerät an die Steckdose anschließen.
- ◆ Überprüfen Sie, ob die Steckdose mit einem Lichtschalter verbunden ist, der auch das Gerät ausschaltet, wenn das Licht ausgeschaltet wird.
- ◆ Bringen Sie Ladegerät und Akku an einen Ort, wo die Umgebungstemperatur ca. 18°-24°C beträgt.
- ◆ Wenn die Ladeprobleme bestehen bleiben, bringen Sie Werkzeug, Akku und Ladegerät zu Ihrer lokalen Vertragswerkstatt.
- ◆ Der Akku sollte aufgeladen werden, wenn das Gerät nicht mehr die volle Leistung bringt. Betreiben Sie das Werkzeug in diesem Fall NICHT WEITER. Befolgen Sie die Anweisungen bezüglich des Aufladens. Sie können auch jederzeit einen teilweise entleerten Akku aufladen, ohne dass dies nachteilige Auswirkungen auf den Akku hat.
- ◆ Leitfähige Fremdmaterialien, z.B. unter anderem Stahlwolle, Alufolie oder angesammelte Metallpartikel, sollten von Hohlräumen des Ladegeräts ferngehalten werden. Ziehen Sie den Netzstecker des Ladegerätes immer aus der Steckdose, wenn kein Akku in der Vertiefung steckt. Ziehen Sie den Netzstecker des Ladegerätes vor dem Reinigen aus der Steckdose.
- ◆ Gerät keinem Spritzwasser aussetzen oder in Wasser oder andere Flüssigkeiten tauchen.

**Warnung!** Keine Flüssigkeiten in das Ladegerät gelangen lassen. Keinesfalls versuchen, den Akku zu öffnen. Wenn das Kunststoffgehäuse des Akkus Brüche oder Risse aufweist, bringen Sie es zum Recycling zu einer Vertragswerkstatt.

## Ladegerätdiagnose (Abb. B)

Die Anzeigen gemäß Abbildung B geben den Ladestatus des Akkus an.

## Defekter Akku

Wenn ein Blinkmuster für einen defekten Akku zu sehen ist, laden Sie diesen Akku nicht weiter auf. Bringen Sie ihn zu einem Kundendienstzentrum oder einer Recycling-Sammelstelle.

## Verzögerung heißer/kalter Akku

Wenn das Ladegerät erkennt, dass ein Akku zu heiß oder zu kalt ist, startet es automatisch eine „Verzögerung heißer/kalter Akku“, bis der Akku eine angemessene Temperatur erreicht hat. Das Ladegerät schaltet dann automatisch in den Lademodus. Diese Funktion gewährleistet eine maximale Lebensdauer des Akkus. Ein kalter Akku wird mit einer geringeren Geschwindigkeit geladen als ein warmer Akku. Der Akku wird während des gesamten Ladevorgangs mit der geringeren Geschwindigkeit geladen, die sich auch nicht erhöht, wenn der Akku wärmer wird.

## Anbringen und Entfernen des Akkus Anbringen des Akkus (Abb. C)

- ◆ Setzen Sie den Akku (4) in das Werkzeug ein, bis ein Klicken zu hören ist (Abbildung C).
- ◆ Stellen Sie sicher, dass der Akku vollständig eingesetzt und eingerastet ist.

## Entfernen des Akkus (Abb. D)

- ◆ Drücken Sie den Akku-Löseknopf (7) wie in Abbildung D gezeigt und ziehen Sie den Akku (4) aus dem Werkzeug.

## Anbringen von Schleifscheiben mit Klettverschluss (Abb. E)

Um die besten Ergebnisse zu erhalten, sollten Sie Zubehör von Stanley FatMax verwenden.

- ◆ Ihr Schleifgerät ist dazu ausgelegt, entweder mit Hartmetall-Schleifgitter oder mit Standardschleifpapier mit einem Spanentfernungsmuster mit 8 Löchern verwendet zu werden.
- ◆ Zum Anbringen der Schleifscheibe (8) zentrieren Sie sie sorgfältig so über dem Schleifteller (3), dass die Löcher darin mit den Löchern im Schleifteller übereinstimmen, dann drücken Sie die Scheibe gut fest.
- ◆ Dank des Klettverschlusses kann die Schleifscheibe einfach wieder abgezogen werden. Bei Bedarf kann sie erneut verwendet werden.

## Verwendung

**Warnung!** Beschleunigen Sie den Arbeitsvorgang nicht mit Gewalt. Vermeiden Sie eine Überlastung.

## Ein- und Ausschalten (Abb. F)

- ◆ Drücken Sie den Ein-/Aus-Schalter (2) in Stellung I, um das Gerät einzuschalten.
- ◆ Drücken Sie den Ein-/Aus-Schalter (2) in Stellung O, um das Gerät auszuschalten.

## Betrieb

Halten Sie das Schleifgerät wie in Abbildung G gezeigt und schalten Sie es ein. Bewegen Sie es in langen, schwungvollen Bewegungen über die zu bearbeitende Oberfläche und lassen Sie das Gerät die Arbeit erledigen.

Wird das Werkzeug beim Schleifen zu stark nach unten gedrückt, verringert sich die Abtragsrate und die Oberflächenqualität wird nicht wie gewünscht.

Überprüfen Sie häufig Ihre Arbeit. Besonders wenn grobes Papier verwendet wird, entfernt das Schleifgerät schnell große Mengen an Material.

## Staubabsaugung

**Warnung!** Der Staub, der sich beim Schleifen von Beschichtungen (Polyurethan, Leinöl usw.) ansammelt, kann sich selbst entzünden und zu einem Brand führen. Um Risiken zu

reduzieren, sind alle Anweisungen aus dem Handbuch des Schleifgeräts und alle Hinweise des Herstellers der Beschichtungen strikt einzuhalten.

## Anschließen eines Staubsaugers (Abb. H)

- ◆ Führen Sie den Staubsaugerschlauch (9) in die Staubabsaugöffnung (5) ein.

## Wartung

Ihr Gerät wurde im Hinblick auf eine lange Lebensdauer und einen möglichst geringen Wartungsaufwand entwickelt. Ein kontinuierlicher, zufriedenstellender Betrieb hängt von der richtigen Pflege des Gerätes und seiner regelmäßigen Reinigung ab.

**Warnung!** Schalten Sie das Gerät vor der Durchführung von Pflege-, Reinigungs- und Wartungsarbeiten aus, und ziehen Sie den Netzstecker.

- ◆ Reinigen Sie regelmäßig die Lüftungsschlitze des Geräts mit Hilfe einer weichen Bürste oder eines trockenen Tuchs.
- ◆ Reinigen Sie das Motorgehäuse regelmäßig mit einem feuchten Tuch. Verwenden Sie keine scheuernden Reinigungsmittel oder Reinigungsmittel auf Lösungsmittelbasis.

## Umweltschutz



Getrennte Entsorgung. Produkte und Akkus mit diesem Symbol dürfen nicht mit dem normalen Hausmüll entsorgt werden.

Produkte und Akkus enthalten Materialien, die wiederverwertet werden können, um den Bedarf an Rohstoffen zu verringern. Bitte recyceln Sie elektrische Produkte und Akkus gemäß den örtlichen Bestimmungen. Weitere Informationen finden Sie auf [www.2helpU.com](http://www.2helpU.com)

## Technische Daten

FMCW220		
Eingangsspannung	$V_{DC}$	18
Schwingungen (lastfrei)	$\text{min}^{-1}$	12000
Umläufe (lastfrei)	$\text{min}^{-1}$	12000
Bandabmessungen	$\text{mm}^2$	12660
Gewicht	kg	1,02
FMC687L		
Spannung	$V_{DC}$	18
Kapazität	Ah	2,0
Typ		1

Ladegerät	90608625	
Eingangsspannung	V <sub>AC</sub>	230
Ausgangsspannung	V <sub>DC</sub>	18
Stromstärke	mA	2000

L <sub>PA</sub> (Schalldruck) 68 dB(A), Unsicherheitsfaktor (K) 3 dB(A)
L <sub>WA</sub> (Schalleistung) 79 dB(A), Unsicherheitsfaktor (K) 3 dB(A)
Gesamtvibration (Triax-Vektorsumme) gemäß EN 60745:
Vibrationsemissionswert: Hauptgriff (a <sub>h</sub> ) 5,98 m/s <sup>2</sup> , Unsicherheitsfaktor (K) 1,5 m/s <sup>2</sup> Zusatzgriff (a <sub>g</sub> ) 7,3 m/s <sup>2</sup> , Unsicherheitsfaktor (K) 1,5 m/s <sup>2</sup>

**EU-Konformitätserklärung**  
MASCHINENRICHTLINIE



**FMCW220 Exzenterschleifer**

Stanley Europe erklärt, dass diese unter „Technische Daten“ beschriebenen Geräte übereinstimmen mit: 2006/42/EC, EN60745-1:2009+A11:2010, EN60745-2-4:2009+A11:2011

Diese Produkte entsprechen außerdem den Richtlinien 2014/30/EU und 2011/65/EU. Weitere Informationen erhalten Sie von Stanley FatMax unter der folgenden Adresse. Diese befindet sich auch auf der Rückseite dieser Anleitung.

Der Unterzeichnete ist verantwortlich für die Zusammenstellung der technischen Daten und gibt diese Erklärung im Namen von Stanley FatMax ab.

R. Laverick  
Director of Engineering  
Stanley Europe, Egide Walschaertsstraat 14-18,  
2800 Mechelen, Belgien  
22/08/2017

**Garantie**

Stanley FatMax vertraut auf die Qualität der eigenen Geräte und bietet dem Käufer eine außergewöhnliche Garantie von 12 Monaten ab Kaufdatum. Diese Garantie versteht sich unbeschadet der gesetzlichen Gewährleistungsansprüche und schränkt diese keinesfalls ein. Diese Garantie gilt innerhalb der Staatsgebiete der Mitgliedstaaten der Europäischen Union und der Europäischen Freihandelszone.

Zur Inanspruchnahme dieser Garantie muss sie den allgemeinen Geschäftsbedingungen von Stanley FatMax entsprechen und dem Verkäufer bzw. der Vertragswerkstatt ist ein Kaufnachweis vorzulegen.

Die Bedingungen für die 1-jährige Garantie von Stanley FatMax und den Standort Ihrer nächstgelegenen Vertragswerkstatt finden Sie im Internet unter [www.2helpU.com](http://www.2helpU.com) oder indem Sie sich an die lokale Stanley FatMax-Niederlassung wenden, deren Adresse Sie in dieser Anleitung finden.

Ihr neues Stanley FatMax-Produkt können Sie auf unserer Website unter [www.stanley.eu/3](http://www.stanley.eu/3) registrieren. Dort erhalten Sie auch Informationen über neue Produkte und Sonderangebote.

**Utilisation prévue**

Votre ponceuse orbitale Stanley Fat Max FMCW220 a été conçue pour poncer le bois, le métal, le plastique et les surfaces peintes. Cet appareil est prévu pour les utilisateurs professionnels et non professionnels.

**Consignes de sécurité**

**Avertissements de sécurité générale liés aux outils électriques**



**Avertissement ! Lisez tous les avertissements de sécurité et toutes les instructions.** Le non-respect des avertissements et des instructions listés ci-dessous peut entraîner des chocs électriques, des incendies et/ou de graves blessures.

**Conservez tous les avertissements et toutes les instructions afin de pouvoir vous y référer dans le futur.** Le terme "outil électrique" mentionné dans tous les avertissements listés ci-dessous fait référence à vos outils électriques branchés sur secteur (avec câble) ou fonctionnant sur pile ou batterie (sans fil).

1. **Sécurité de la zone de travail**
  - a. **Maintenez la zone de travail propre et bien éclairée.**  
Les zones sombres ou encombrées sont propices aux accidents.
  - b. **N'utilisez pas d'outils électriques dans un environnement présentant des risques d'explosion ou en présence de liquides, gaz ou poussières inflammables.** Les outils électriques créent des étincelles qui peuvent enflammer les poussières et les fumées.
  - c. **Maintenez les enfants et autres personnes éloignés lorsque les outils électriques sont en marche.** Toute distraction peut vous faire perdre le contrôle de l'outil.



## 2. Sécurité électrique

- a. **Les prises des outils électriques doivent correspondre à la prise de courant murale. Ne modifiez jamais la prise d'aucune sorte. N'utilisez aucun adaptateur avec des outils électriques reliés à la terre.** L'utilisation de prises d'origine et de prises murales appropriées permet de réduire le risque de choc électrique.
- b. **Évitez tout contact physique avec des surfaces reliées à la terre comme des tuyaux, des radiateurs, des fours et des réfrigérateurs par exemple.** Le risque de choc électrique augmente lorsque votre corps est relié à la terre.
- c. **N'exposez pas les outils électriques à la pluie, ni à l'humidité.** Le risque de choc électrique augmente si de l'eau pénètre dans un outil électrique.
- d. **Ne tirez pas sur le cordon d'alimentation. N'utilisez pas le câble pour porter l'appareil, pour le tirer ou pour le débrancher. Maintenez le cordon éloigné de la chaleur, de substances grasses, de bords tranchants ou de pièces mobiles.** Les cordons endommagés ou emmêlés augmentent le risque de choc électrique.
- e. **Si vous utilisez un outil électrique à l'extérieur, utilisez une rallonge homologuée pour les travaux extérieurs.** L'utilisation d'une rallonge électrique homologuée pour les travaux en extérieur réduit le risque de choc électrique.
- f. **Si l'utilisation d'un outil électrique dans un endroit humide est inévitable, utilisez une alimentation électrique protégée par un disjoncteur différentiel à courant résiduel.** L'utilisation d'un disjoncteur différentiel réduit le risque de choc électrique.

## 3. Sécurité des personnes

- a. **Restez vigilant, surveillez ce que vous faites et faites preuve de bon sens lorsque vous utilisez un outil électrique. N'utilisez pas d'outils électriques si vous êtes fatigué ou sous l'influence de drogue, d'alcool ou de médicaments.**  
Tout moment d'inattention pendant l'utilisation d'un outil électrique peut engendrer de graves blessures.
- b. **Portez des équipements de protection individuelle. Portez toujours une protection oculaire.** Les équipements de protection comme les masques à poussière, les chaussures de sécurité antidérapantes, les casques ou les protections auditives, utilisés à bon escient, réduisent le risque de blessures.
- c. **Empêchez tout démarrage intempestif. Assurez-vous que l'interrupteur est en position Arrêt avant de raccorder l'outil à l'alimentation électrique et/ou au bloc-batterie ou avant de ramasser ou de transporter l'outil.** Le fait de transporter les outils électriques le doigt sur l'interrupteur ou d'alimenter les outils électriques dont

l'interrupteur est déjà en position de marche augmente les accidents.

- d. **Retirez toutes les clés ou pinces de réglage avant de mettre l'outil en marche.** Une clé ou une pince restée fixée sur une pièce rotative de l'outil électrique peut engendrer des blessures.
- e. **Ne présumez pas de vos forces. Gardez les pieds bien ancrés au sol et conservez votre équilibre en permanence.** Cela permet de mieux maîtriser l'outil électrique en cas de situations imprévues.
- f. **Portez des vêtements appropriés. Ne portez aucun vêtement ample ou bijou. Gardez vos cheveux, vos vêtements et vos gants éloignés des pièces mobiles.** Les vêtements amples, les bijoux ou les cheveux longs peuvent être happés par les pièces mobiles.
- g. **Si des dispositifs pour le raccordement d'un extracteur de poussières ou des installations pour la récupération sont présents, assurez-vous qu'ils sont correctement raccordés et utilisés.** L'utilisation de dispositifs récupérateurs de poussières réduit les risques liés aux poussières.
- h. **Ne pensez pas être si familiarisé avec l'outil après l'avoir utilisé à de nombreuses reprises, au point de ne plus rester vigilant et d'en oublier les consignes de sécurité.** Toute action imprudente peut engendrer de graves blessures en une fraction de seconde.

## 4. Utilisation et entretien des outils électriques

- a. **Respectez la capacité de l'outil. Utilisez l'outil approprié en fonction du travail à réaliser.** Un outil adapté fonctionne mieux, de façon plus sûre et à la cadence pour laquelle il a été conçu.
- b. **N'utilisez pas l'outil électrique si son interrupteur ne permet pas de l'allumer ou de l'éteindre.** Tout outil électrique qui ne peut plus être commandé par son interrupteur est dangereux et doit être réparé.
- c. **Débranchez la prise du secteur et/ou le bloc-batterie de l'outil électrique avant d'effectuer tout réglage, de changer un accessoire ou de ranger l'outil électrique.** Ces mesures de sécurité préventives réduisent le risque de démarrage accidentel de l'outil électrique.
- d. **Rangez les outils électriques non utilisés hors de portée des enfants et ne laissez aucune personne ne connaissant pas ces outils ou leurs instructions d'utilisation les faire fonctionner.** Les outils électriques peuvent être dangereux entre des mains inexpérimentées.
- e. **Entretenez vos outils électriques. Vérifiez que les pièces mobiles sont alignées correctement et qu'elles ne sont pas coincées. Vérifiez qu'aucune pièce n'est cassée et contrôlez l'absence de toute autre condition qui pourrait nuire au bon fonctionnement de l'outil. En cas de dommage, faites réparer l'outil électrique avant de l'utiliser. De**

nombreux accidents sont provoqués par des outils électriques mal entretenus.

- f. **Maintenez les organes de coupe affûtés et propres.**  
Des organes de coupe bien entretenus et affûtés sont moins susceptibles de rester coincés et sont plus faciles à contrôler.
  - g. **Utilisez les outils électriques, les accessoires et les embouts d'outil conformément à ces instructions, en tenant compte des conditions de travail, ainsi que du travail à effectuer.** L'utilisation d'un outil électrique à des fins autres que celles pour lesquelles il a été prévu engendre des situations dangereuses.
  - h. **Veillez à ce que les poignées et les surfaces de préhension soient sèches et propres, sans trace d'huile ou de graisse.** Des poignées glissantes et des surfaces grasses ne permettent pas de manipuler ou de contrôler l'outil de façon sûre en cas de situation inattendue.
5. **Utilisation et entretien de la batterie de l'outil**
    - a. **N'effectuez la recharge qu'à l'aide du chargeur spécifié par le fabricant.**  
Un chargeur adapté pour un type de bloc-batterie peut engendrer un risque d'incendie s'il est utilisé avec un bloc-batterie différent.
    - b. **N'utilisez les outils électriques qu'avec les blocs-batteries qui leurs sont dédiés.** L'utilisation d'un autre bloc-batterie peut engendrer des blessures et un incendie.
    - c. **Lorsque le bloc-batterie n'est pas utilisé, gardez-le à l'écart des objets métalliques tels que trombones, pièces de monnaie, clés, clous, vis ou autres petits objets susceptibles de créer un contact entre les deux bornes.** La mise en court-circuit des bornes d'une batterie peut provoquer des brûlures ou un incendie.
    - d. **En cas d'utilisation abusive, du liquide peut être éjecté de la batterie. Évitez tout contact avec ce liquide. En cas de contact accidentel, rincez à l'eau. En cas de contact avec les yeux, consultez un médecin.** Le liquide projeté de la batterie peut provoquer des irritations ou des brûlures.
    - e. **N'utilisez pas un bloc-batterie ou un outil endommagé ou modifié.** Une batterie endommagée ou altérée peut avoir un comportement imprévisible qui peut conduire à un incendie, une explosion ou un risque de blessure.
    - f. **N'exposez pas le bloc-batterie ou l'outil au feu ou à des températures excessives.** L'exposition au feu ou à des températures dépassant 265°F peut provoquer une explosion.
    - g. **Respectez les instructions de charge et ne rechargez pas le bloc-batterie ou l'outil à une plage de températures hors de celle spécifiée dans les instructions.** Une charge mal effectuée ou à des

températures hors de la plage spécifiée peut endommager la batterie et augmente le risque d'incendie.

## 6. Réparation

- a. **Faites réparer votre outil électrique par une personne qualifiée, n'utilisant que des pièces de rechange d'origine.** Cela permet de garantir la sûreté de l'outil électrique.
- b. **Ne réparez jamais des blocs-batteries endommagés.** Les réparations sur les blocs-batteries ne doivent être effectuées que le fabricant ou l'un de ses prestataires de services agréés.

## Consignes de sécurité supplémentaires liées aux outils électriques



**Avvertimento !** Instructions de sécurité supplémentaires concernant les perceuses

- ◆ **Tenez l'outil électrique par ses surfaces de préhension isolées lorsque vous l'utilisez dans des endroits où l'accessoire de ponçage peut entrer en contact avec des fils cachés.** Tout contact de l'accessoire de ponçage avec un fil sous tension peut mettre les parties métalliques exposées de l'outil sous tension et provoquer un choc électrique à l'utilisateur
- ◆ **Utilisez des pinces ou tout autre moyen pratique pour fixer et soutenir l'ouvrage sur une plateforme stable.** Tenir l'ouvrage à la main ou contre votre corps le rend instable et peut conduire à une perte de contrôle.



**Avvertimento !** Tout contact ou inhalation de poussières pendant le ponçage peut présenter un danger pour la santé de l'opérateur et des personnes éventuellement présentes à proximité. Portez un masque anti-poussières spécialement conçu pour vous protéger des poussières et des fumées et veillez à ce que les personnes se trouvant à l'intérieur de la zone de travail ou y pénétrant soient également protégées.

- ◆ Enlevez soigneusement toute poussière après le ponçage.
- ◆ Faites spécialement attention lorsque vous poncez de la peinture pouvant être à base de plomb ou lorsque vous poncez des bois et des métaux pouvant produire de la poussière toxique :
  - ◆ Ne laissez pas les enfants ou les femmes enceintes entrer dans la zone de travail.
  - ◆ Ne mangez pas, ne buvez pas et ne fumez pas dans la zone de travail.
  - ◆ Nettoyez l'outil de toutes particules de poussière et autres débris.
- ◆ L'usage prévu est décrit dans ce manuel d'instructions. L'utilisation d'un accessoire ou d'une fraise non spécifié ou l'utilisation de cet outil à d'autres fins que celles

recommandées dans ce manuel d'utilisation présentent un risque de blessures et/ou de dommages matériels.

## Sécurité des personnes

Ne laissez jamais les enfants, les personnes aux capacités physiques sensorielles ou mentales déficientes ou manquant d'expérience ou de connaissances ou les personnes non familiarisées avec ces instructions, utiliser la machine. La réglementation locale peut limiter l'âge de l'utilisateur.

## Risques résiduels

Certains risques résiduels autres que ceux mentionnés dans les avertissements sur la sécurité peuvent survenir en utilisant l'outil. Ces risques peuvent être provoqués par une utilisation incorrecte, prolongée, etc.

Malgré l'application des normes de sécurité pertinentes et la mise en œuvre de dispositifs de sécurité, certains risques résiduels ne peuvent pas être évités. Ils comprennent :

- ◆ Les blessures dues au contact avec des pièces mobiles/ en rotation.
- ◆ Les blessures dues au changement de pièces, de lame ou d'accessoires.
- ◆ Les blessures dues à l'utilisation prolongée d'un outil. Lorsque vous utilisez un outil quel qu'il soit pendant de longues périodes, assurez-vous de faire des pauses régulières.
- ◆ Troubles de l'ouïe.
- ◆ Risques pour la santé dus à l'inhalation de poussières produites pendant l'utilisation de l'outil (exemple : travail avec du bois, surtout le chêne, le hêtre et les panneaux en MDF).

## Vibrations

La valeur des émissions de vibrations déclarée dans les caractéristiques techniques et la déclaration de conformité a été mesurée conformément à la méthode de test normalisée établie par la norme EN60745 et elle peut être utilisée pour comparer un outil à un autre. La valeur des émissions de vibrations déclarée peut aussi être utilisée pour une évaluation préliminaire à l'exposition.

**Avertissement !** En fonction de la manière dont l'outil est utilisé, la valeur des émissions de vibrations réelles pendant l'utilisation de l'outil peut différer de la valeur déclarée. Le niveau des vibrations peut dépasser le niveau déclaré. Quand l'exposition aux vibrations est évaluée afin de déterminer les mesures de sécurité requises par la norme 2002/44/CE pour protéger les personnes utilisant régulièrement des outils électriques, cette estimation doit tenir compte des conditions réelles d'utilisation et de la façon dont l'outil est utilisé. Il faut également tenir compte de toutes les composantes du cycle de fonctionnement comme la durée pendant laquelle

l'outil est arrêté et quand il fonctionne au ralenti, ainsi que la durée du déclenchement.

## Étiquettes sur l'outil

Les pictogrammes qui suivent figurent sur l'outil avec le code date :



**Avertissement !** Afin de réduire le risque de blessures, l'utilisateur doit lire le manuel d'utilisation.

## Consignes de sécurité supplémentaires relatives aux batteries et aux chargeurs

- ◆ Ne tentez de les ouvrir sous aucun prétexte.
- ◆ N'exposez pas la batterie à l'eau.
- ◆ Ne la rangez pas dans des endroits où la température peut dépasser 40 °C.
- ◆ Ne procédez à la charge qu'à une température ambiante comprise entre 10 °C et 40 °C.
- ◆ N'utilisez que le chargeur fourni avec l'outil.
- ◆ Pour la mise au rebut des batteries, respectez les instructions mentionnées à la section "Protection de l'environnement".

## Chargeurs

- ◆ N'utilisez votre chargeur BLACK+DECKER que pour recharger la batterie fournie avec l'outil. D'autres batteries pourraient exploser et provoquer des blessures et des dommages.
- ◆ Ne tentez jamais de recharger des piles non rechargeables.
- ◆ Faites immédiatement remplacer les cordons endommagés.
- ◆ N'exposez pas le chargeur à l'eau.
- ◆ N'ouvrez pas le chargeur.
- ◆ Ne sondez pas le chargeur.



Le chargeur est conçu pour être exclusivement utilisé à l'intérieur.



Lisez le manuel d'utilisation avant de l'utiliser.

## Sécurité électrique



Votre chargeur dispose d'une double isolation ; aucun fil de terre n'est donc nécessaire. Vérifiez toujours que la tension du réseau électrique correspond à la tension figurant sur la plaque signalétique. N'essayez jamais de remplacer le module de charge par une prise secteur ordinaire.

- ◆ Si le câble d'alimentation est endommagé, il doit être remplacé par le fabricant ou par un centre BLACK+DECKER agréé afin d'éviter tout accident.

## Caractéristiques

Cet outil dispose de tout ou partie des éléments suivants.

1. Poignée
2. Bouton marche/arrêt
3. Patin de ponçage
4. Batterie
5. Sortie d'extraction des poussières
6. Chargeur

## Procédure de charge (Fig. A)

Les chargeurs Stanley FatMax sont conçus pour recharger les blocs-batteries Stanley FatMax.

- ◆ Branchez le chargeur (6) dans une prise appropriée avant d'insérer le bloc-batterie (4).
- ◆ Insérez le bloc-batterie (4) dans le chargeur (6) comme illustré par la figure A.
- ◆ Le voyant (6a) clignote pour indiquer que la batterie est en charge.
- ◆ La fin de la charge est indiquée par le voyant (6a) restant fixe en continu. Le bloc est alors complètement rechargé et il peut soit être utilisé, soit être laissé dans le chargeur.

**Remarque :** Rechargez les batteries déchargées dès que possible après utilisation pour ne pas grandement diminuer leur durée de vie. Pour augmenter la durée de vie de la batterie, ne la laissez pas se décharger complètement. Il est recommandé de recharger les batteries après chaque utilisation.

## Laisser la batterie dans le chargeur

Le chargeur (6) et le bloc-batterie (4) peuvent rester raccordés avec le voyant allumé en continu. Le chargeur maintient le bloc-batterie complètement chargé.

## Remarques importantes sur la charge

- ◆ Une durée de vie plus longue et de meilleures performances peuvent être obtenues si le bloc-batterie est rechargé lorsque la température de l'air est comprise entre 18° - 24°C (65°F et 75°F). NE rechargez PAS le bloc-batterie à une température ambiante inférieure à +4,5°C (+40°F) ou supérieure à +40,5°C (+105°F). Ce point est important et il évite l'endommagement grave du bloc-batterie.
- ◆ Le chargeur et le bloc-batterie peuvent devenir chauds au toucher pendant la charge. Ceci est normal et n'indique pas un problème. Afin de faciliter le refroidissement du bloc-batterie après utilisation, évitez de placer le chargeur ou le bloc-batterie dans un environnement chaud comme une remise métallique ou une remorque non isolée.
- ◆ Si le bloc-batterie ne se recharge pas correctement :
  - ◆ Vérifiez le courant en branchant une lampe ou un autre appareil dans la prise murale.

- ◆ Vérifiez que la prise de courant n'est pas reliée à un interrupteur coupant l'alimentation lorsqu'on éteint l'éclairage.
- ◆ Déplacez le chargeur et le bloc-batterie dans un endroit où la température ambiante est comprise entre 18°C et 24°C (65°F - 75°F).
- ◆ Si les problèmes de charge persistent, apportez l'outil, le bloc-batterie et le chargeur à votre centre d'assistance local.
- ◆ Le bloc-batterie doit être rechargé lorsqu'il ne parvient plus à fournir la puissance nécessaire aux opérations qui étaient facilement réalisées auparavant. CESSEZ D'UTILISER l'outil dans ces conditions. Respectez la procédure de charge. Vous pouvez également charger un bloc déjà utilisé si vous le souhaitez, sans que cela n'affecte le bloc-batterie.
- ◆ Les corps étrangers de nature conductrice tels que, notamment, la laine d'acier, le papier aluminium ou toute accumulation de particules métalliques, doivent être tenus éloignés des cavités du chargeur. Débranchez toujours le chargeur de la prise lorsqu'il n'y a pas de pack batterie dans la cavité. Débranchez le chargeur avant de le nettoyer.
- ◆ Ne congelez pas le chargeur et ne l'immergez pas dans l'eau ou dans tout autre liquide.

**Avertissement !** Ne laissez aucun liquide pénétrer dans le chargeur. Ne tentez jamais d'ouvrir le bloc-batterie pour quelque raison que ce soit. Si le corps en plastique du bloc-batterie se casse ou se fissure, retournez-le à un centre d'assistance pour qu'il y soit recyclé.

## Diagnostic du chargeur (Fig. B)

Consultez les voyants de la figure B pour connaître l'état de charge du bloc batterie.

## Batterie défectueuse

Si le motif de clignotement indique que la batterie est défectueuse, arrêtez la charge de la batterie. Renvoyez-la dans un centre d'assistance ou un site de collecte pour recyclage.

## Délai Bloc chaud/froid

Lorsque le chargeur détecte que le bloc-batterie est trop chaud ou trop froid, il démarre automatiquement un délai Bloc Chaud/Froid, suspendant la charge jusqu'à ce que le bloc-batterie ait atteint la température adéquate. Le chargeur passe ensuite automatiquement en mode Charge. Cette fonctionnalité assure une durée de vie maximale de la batterie. Un bloc-batterie froid se recharge à une cadence moins rapide qu'un bloc-batterie chaud. Le bloc-batterie se recharge à cette cadence plus lente durant tout le cycle de charge et n'atteint pas la charge maximale même si le bloc se réchauffe.

## Installation et retrait du bloc-batterie de l'outil Pour installer le bloc-batterie (Fig. C)

- ◆ Insérez la batterie (4) dans l'outil jusqu'à entendre un clic (Figure C)
- ◆ Assurez-vous que le bloc-batterie est bien en place et correctement verrouillé.

## Pour retirer le bloc-batterie (fig. D)

- ◆ Enfoncez le bouton de libération de la batterie (7) comme illustré par la figure D et tirez sur le bloc-batterie (4) pour le sortir de l'outil.

## Fixation des disques de ponçage auto-agrippants (Fig. E)

Utilisez des accessoires Stanley FatMax pour obtenir de meilleurs résultats.

- ◆ Votre ponceuse est conçue pour être utilisée soit avec du papier abrasif toilé en carborundum soit avec du papier standard avec 8 trous pour extraction des poussières.
- ◆ Pour fixer le disque abrasif (8), centrez-le soigneusement sur le patin de ponçage (3) en vous assurant que les trous du disque coïncident avec les trous du patin et appuyez fermement le disque en place.
- ◆ Grâce au système de fixation auto-agrippant, le disque abrasif peut facilement être retiré en tirant dessus. Il peut être réutilisé au besoin.

## Utilisation

**Avertissement !** Laissez l'outil fonctionner à son propre rythme. Ne le poussez pas au-delà de sa capacité.

## Mise en marche et Extinction (Fig. F)

- ◆ Pour allumer l'outil, enfoncez l'interrupteur marche/arrêt (2) jusqu'à la position "I".
- ◆ Pour éteindre l'outil, enfoncez l'interrupteur marche/arrêt (2) jusqu'à la position "O".

## Fonctionnement

Saisissez la ponceuse comme illustré par la figure G et allumez-la. Déplacez-la en parcourant la surface de longs balayages, en la laissant travailler.

Le fait d'appuyer sur l'outil pendant le ponçage, ralentit le temps de dépose et diminue la qualité de finition.

Vérifiez souvent votre travail. La ponceuse est capable de rapidement retirer la matière, notamment avec du papier à gros grains.

## Récupération des poussières

**Avertissement !** Les poussières de ponçage provenant des revêtements de surface poncée (polyuréthane, huile de lin, etc) peuvent s'auto-enflammer et provoquer un incendie. Afin de réduire ce risque, respectez scrupuleusement le manuel

de la ponceuse ainsi que les instructions du fabricant du revêtement.

## Raccorder un aspirateur (Fig. H)

- ◆ Insérez le tuyau (9) de l'aspirateur dans le raccord d'évacuation des poussières (5).

## Maintenance

Votre outil a été conçu pour fonctionner pendant longtemps avec un minimum d'entretien. Le fonctionnement continu et satisfaisant de l'appareil dépend de son bon entretien et de son nettoyage régulier.

**Avertissement !** Éteignez et débranchez l'outil avant toute opération de maintenance.

- ◆ Nettoyez régulièrement les orifices d'aération de votre outil à l'aide d'une brosse souple ou d'un chiffon sec.
- ◆ Nettoyez régulièrement le carter moteur à l'aide d'un chiffon humide. N'utilisez pas de détergents abrasifs ou à base de solvants.

## Protection de l'environnement



Tri sélectif. Les produits et batteries marqués de ce symbole ne doivent pas être jetés avec les déchets ménagers

Les produits et batteries contiennent des matières qui peuvent être récupérées et recyclées afin de réduire la demande en matières premières.

Veillez à recycler les produits électriques et les piles et batteries conformément aux dispositions locales en vigueur. Pour plus d'informations, consultez le site [www.2helpU.com](http://www.2helpU.com)

## Caractéristiques techniques

FMCW220		
Tension d'entrée	$V_{cc}$	18
Oscillations (sans charge)	$\text{min}^{-1}$	12000
Orbites (sans charge)	$\text{min}^{-1}$	12000
Surface de la semelle de ponçage	$\text{mm}^2$	12660
Poids	kg	1,02
Batterie FMC687L		
Tension	$V_{cc}$	18
Capacité	Ah	2,0
Type		1
Chargeur 90608625		
Tension d'entrée	$V_{ca}$	230
Tension de sortie	$V_{cc}$	18
Courant	mA	2000

$L_{pA}$ (pression sonore) 68 dB(A), incertitude (K) 3 dB(A)
$L_{WA}$ (puissance sonore) 79 dB(A), incertitude (K) 3 dB(A)
Valeurs totales des vibrations (somme vectorielle triaxiale) selon la norme EN 60745 :
Valeur des émissions de vibrations : Poignée principale ( $a_{h1}$ ) 5,98 m/s <sup>2</sup> , incertitude (K) 1,5 m/s <sup>2</sup> Poignée auxiliaire ( $a_{h2}$ ) 7,3 m/s <sup>2</sup> , incertitude (K) 1,5 m/s <sup>2</sup>

## Déclaration de conformité CE

### DIRECTIVES MACHINES



### Ponceuse orbitale FMCW220

Stanley Europe déclare que les produits décrits dans les «Caractéristiques techniques» sont conformes aux normes : 2006/42/CE, EN60745-1:2009+A11:2010, EN60745-2-4:2009+A11:2011

Ces produits sont également conformes aux Directives 2014/30/UE et 2011/65/UE. Pour plus de détails, veuillez contacter Stanley Fat Max à l'adresse suivante ou reportez-vous au dos du manuel.

Le soussigné est responsable de la compilation des données de la fiche technique et fait cette déclaration au nom de Stanley FatMax.

R. Laverick  
Directeur Ingénierie  
Stanley Europe, Egide Walschaertsstraat14-18,  
2800 Mechelen, Belgique  
22/08/2017

## Garantie

Stanley Fat Max est sûr de la qualité de ses produits et offre une garantie de 12 mois à ses clients, à partir de la date d'achat. Cette garantie s'ajoute à vos droits légaux auxquels elle ne porte aucunement préjudice. Cette garantie est valable au sein des territoires des États membres de l'Union Européenne et au sein de la Zone européenne de libre-échange. Pour prétendre à la garantie, la réclamation doit être en conformité avec les conditions générales de Stanley Fat Max et vous devez fournir une preuve d'achat au vendeur ou au réparateur agréé.

Les conditions générales de la garantie de 1 an Stanley Fat Max ainsi que l'adresse du réparateur agréé le plus proche sont disponibles sur le site Internet [www.2helpU.com](http://www.2helpU.com) ou en

contactant votre agence Stanley Fat Max locale à l'adresse indiquée dans ce manuel.

Veuillez consulter notre site Internet [www.stanley.eu/3](http://www.stanley.eu/3) pour enregistrer votre nouveau produit Stanley Fat Max et pour être tenu informé des nouveaux produits et offres spéciales.

## Uso previsto

La levigatrice rotoorbitale Stanley Fat Max FMCW220 è stata progettata per levigare superfici di legno, metallo, plastica e verniciate. Questo apparecchio è concepito per uso professionale e privato e per utenti non professionisti.

## Istruzioni di sicurezza

### Avvertenze di sicurezza generali per gli elettrotensili



**Avvertenza! Leggere attentamente tutte le avvertenze e le istruzioni di sicurezza.** La mancata osservanza delle avvertenze e istruzioni elencate di seguito potrebbe dar luogo a scosse elettriche, incendi e/o infortuni gravi.

**Conservare tutte le avvertenze e le istruzioni per consultazioni successive.** Il termine "elettrotensile" che ricorre in tutte le avvertenze seguenti si riferisce a utensili elettrici alimentati attraverso la rete elettrica (con filo) o a batteria (senza filo).

#### 1. Sicurezza nell'area di lavoro

- Mantenere pulita e bene illuminata l'area di lavoro.** Gli ambienti disordinati o scarsamente illuminati favoriscono gli incidenti.
- Evitare di usare gli elettrotensili in ambienti esposti a rischio di esplosione, ad esempio in presenza di liquidi, gas o polveri infiammabili.** Gli elettrotensili generano scintille che possono incendiare le polveri o i fumi.
- Tenere lontani bambini e altre persone presenti mentre si usa un elettrotensile.** Eventuali distrazioni possono provocare la perdita di controllo.

#### 2. Sicurezza elettrica

- Le spine elettriche degli elettrotensili devono essere adatte alla presa. Non modificare la spina in alcun modo. Non utilizzare spine con adattatore con gli**



- elettrotensili dotati di messa a terra.** Per ridurre il rischio di scossa elettrica evitare di modificare le spine e utilizzare sempre le prese di corrente appropriate.
- b. Evitare il contatto fisico con superfici collegate a terra, come tubi, radiatori, forni e frigoriferi.** Se il proprio corpo è collegato a terra, il rischio di scossa elettrica aumenta.
- c. Non esporre gli elettrotensili alla pioggia o all'umidità.** Se entra dell'acqua all'interno dell'elettrotensile, il rischio di scosse elettriche aumenta.
- d. Non utilizzare il cavo di alimentazione in modo improprio. Non usare il cavo di alimentazione per trasportare o trainare l'elettrotensile e non tirarlo per estrarre la spina dalla presa di corrente. Tenere il cavo di alimentazione lontano da fonti di calore, olio, bordi taglienti o parti in movimento.** Se il cavo di alimentazione è danneggiato o impigliato, il rischio di scossa elettrica aumenta.
- e. Se l'elettrotensile viene utilizzato all'aperto, usare esclusivamente prolunge omologate per l'impiego all'esterno.** L'uso di un cavo di alimentazione adatto ad ambienti esterni riduce il rischio di scossa elettrica.
- f. Se non è possibile evitare di lavorare in una zona umida, usare una rete elettrica protetta da un interruttore differenziale (RCD).** L'uso di un interruttore differenziale riduce il rischio di scossa elettrica.
- 3. Sicurezza delle persone**
- a. È importante concentrarsi su ciò che si sta facendo e maneggiare con giudizio l'elettrotensile. Non utilizzare un elettrotensile quando si è stanchi o sotto l'effetto di droghe, alcool o medicinali.**  
Un solo attimo di distrazione durante l'uso dell'elettrotensile potrebbe provocare gravi lesioni personali.
- b. Usare dispositivi di protezione individuale. Indossare sempre dispositivi di protezione oculare.** L'uso di dispositivi di protezione, quali mascherine antipolvere, scarpe antinfortunistiche antiscivolo, elmetti o protezioni auricolari, in condizioni opportune consente di ridurre le lesioni personali.
- c. Impedire l'avviamento involontario. Accertarsi che l'interruttore di accensione sia in posizione "off" (spento), prima di collegare l'elettrotensile alla rete elettrica e/o alla batteria, di prenderlo in mano o di trasportarlo.** Per non esporsi al rischio di incidenti, non trasportare l'elettrotensile tenendo le dita sull'interruttore e non collegarlo a una fonte di alimentazione elettrica con l'interruttore acceso.
- d. Prima di accendere un elettrotensile, togliere eventuali utensili o chiavi di regolazione.** Un utensile di regolazione o una chiave fissati su una parte rotante dell'elettrotensile può provocare lesioni a persone.
- e. Non sbilanciarsi. Mantenere sempre un appoggio e un equilibrio adeguati.** In tal modo è possibile mantenere un migliore controllo dell'elettrotensile nelle situazioni impreviste.
- f. Vestirsi adeguatamente. Non indossare abiti lenti o gioielli. Tenere i capelli, i vestiti e i guanti lontani dalle parti mobili.** Abiti larghi, gioielli o capelli lunghi possono impigliarsi nelle parti in movimento.
- g. Se gli elettrotensili sono provvisti di attacchi per il collegamento di dispositivi di aspirazione o di raccolta della polvere, assicurarsi che questi siano installati e utilizzati correttamente.** La raccolta della polvere può ridurre i pericoli legati a quest'ultima.
- h. Non lasciare che la familiarità acquisita dall'uso frequente degli utensili induca a cedere alla tentazione di ignorare i principi di utilizzo sicuro degli stessi.** Un'azione imprudente potrebbe provocare lesioni gravi in una frazione di secondo.
- 4. Uso e cura dell'elettrotensile**
- a. Non sovraccaricare l'elettrotensile. Utilizzare l'elettrotensile adatto per il lavoro da eseguire.** L'elettrotensile corretto funzionerà meglio e in modo più sicuro, se utilizzato alla velocità per cui è stato progettato.
- b. Non utilizzare l'elettrotensile se l'interruttore è difettoso.** Qualsiasi elettrotensile che non possa essere controllato tramite l'interruttore è pericoloso e deve essere riparato.
- c. Scollegare la spina dalla presa di corrente e/o il pacco batteria dall'elettrotensile prima di regolarlo, sostituirne gli accessori o riporlo in magazzino.** Queste misure di sicurezza preventive riducono il rischio di azionare accidentalmente l'elettrotensile.
- d. Quando non vengono usati, gli elettrotensili devono essere custoditi fuori dalla portata dei bambini. Non consentire l'uso dell'elettrotensile a persone inesperte o che non abbiano letto le presenti istruzioni d'uso.** Gli elettrotensili sono pericolosi in mano a persone inesperte.
- e. Sottoporre gli elettrotensili a regolare manutenzione. Verificare che le parti mobili siano correttamente allineate e non inceppate, che non vi siano componenti rotti e che non sussistano altre condizioni che possono compromettere il funzionamento dell'elettrotensile. Se danneggiato, far riparare l'elettrotensile prima dell'uso.** Molti incidenti sono provocati da elettrotensili non sottoposti a corretta manutenzione.
- f. Mantenere affilati e puliti gli utensili da taglio.** La manutenzione corretta degli utensili da taglio con bordi affilati riduce le probabilità di inceppamento e ne facilita il controllo.

**g. Utilizzare l'elettrotensile, gli accessori, le punte, ecc. in conformità alle presenti istruzioni, tenendo conto delle condizioni operative e del lavoro da eseguire.** L'utilizzo dell'elettrotensile per impieghi diversi da quelli previsti può dare luogo a situazioni di pericolo.

**h. Mantenere le impugnature e le superfici di presa asciutte, pulite e senza tracce di olio o grasso.**

Impugnature e superfici di presa scivolose non consentono di maneggiare e controllare in modo sicuro l'utensile nel caso di imprevisti.

**5. Uso e cura degli elettrotensili a batteria**

**a. Ricaricare la batteria utilizzando esclusivamente il caricabatterie l'alimentatore specificato dal fabbricante.**

Un caricabatterie adatto per un solo tipo di batteria può comportare il rischio d'incendio se usato con una batteria diversa.

**b. Usare gli elettrotensili esclusivamente con le batterie specificamente progettate per gli stessi.** L'impiego di batterie di tipo diverso potrebbe provocare il rischio di lesioni a persone e incendi.

**c. Quando la batteria non è in uso, tenerla lontano da altri oggetti metallici, come graffette, monete, chiavi, chiodi, viti o altri oggetti metallici di piccole dimensioni, che potrebbero cortocircuitare un morsetto con l'altro.** Se i morsetti della batteria vengono cortocircuitati potrebbero provocare ustioni o un incendio.

**d. In condizioni di sovraccarico, dalla batteria potrebbe fuoriuscire del liquido: evitare di toccarla. In caso di contatto accidentale, risciacquare la pelle con acqua. Se il liquido entra a contatto con gli occhi, consultare un medico.** Il liquido che fuoriesce dalla batteria può causare irritazioni o ustioni.

**e. Non utilizzare una batteria o un utensile danneggiati o modificati.** Le batterie danneggiate o modificate potrebbero manifestare un comportamento imprevedibile con la possibilità di causare un'esplosione o un incendio.

**f. Non esporre una batteria o un utensile al fuoco o a temperature eccessivamente elevate.** L'esposizione al fuoco o a una temperatura superiore a 130°C potrebbe provocare un'esplosione.

**g. Seguire tutte le istruzioni per la carica e non caricare la batteria o l'elettrotensile a una temperatura che non rientri nell'intervallo di valori specificato nelle istruzioni.** Una ricarica effettuata in maniera scorretta o a una temperatura che non rientra nell'intervallo di valori specificato, potrebbe danneggiare la batteria aumentando il rischio d'incendio.

**6. Assistenza**

**a. Fare riparare l'elettrotensile esclusivamente da personale specializzato e solo utilizzando pezzi di**

**ricambio originali.** In questo modo sarà possibile mantenere la sicurezza dell'elettrotensile.

**b. Non riparare le batterie danneggiate.** Gli interventi di riparazione sulle batterie devono essere eseguiti dal costruttore o da fornitori di assistenza autorizzati.

### Altre avvertenze di sicurezza riguardanti gli elettrotensili



**Avvertenza!** Ulteriori avvertenze di sicurezza per le levigatrici

- ◆ **Tenere l'elettrotensile afferrando le impugnature isolate se vi è la possibilità che l'accessorio di levigatura possa venire a contatto con fili elettrici nascosti o con il cavo di alimentazione.** Gli accessori da taglio che vengono a contatto con un cavo sotto tensione trasmettono la corrente elettrica anche alle parti metalliche esposte dell'elettrotensile e possono provocare la folgorazione dell'operatore.
- ◆ **Usare morse o altri metodi pratici per fissare e sostenere il pezzo in lavorazione su una piattaforma stabile.** Tenere il pezzo in lavorazione con le mani o contro il corpo non ne assicura la stabilità e potrebbe comportare la perdita di controllo.



**Avvertenza!** Il contatto o l'inhalazione della polvere generata dalla levigatura potrebbe nuocere alla salute dell'operatore e delle eventuali altre persone presenti. Indossare una mascherina antipolvere specifica per polveri e fumi e accertarsi che anche le persone presenti nell'area di lavoro o che vi entrano siano adeguatamente protetti.

- ◆ Dopo la levigatura, rimuovere tutta la polvere.
- ◆ Prestare molta attenzione quando si levigano superfici verniciate con prodotti che probabilmente contengono il piombo come componente di base oppure quando si levigano certi legni e metalli la cui polvere può essere tossica:
  - ◆ Vietare l'ingresso nell'area di lavoro a bambini o donne in gravidanza.
  - ◆ Non mangiare, bere o fumare nell'area di lavoro.
  - ◆ Smaltire polvere e rifiuti adottando le necessarie misure di sicurezza.
- ◆ L'uso previsto è indicato nel presente manuale di istruzioni. Se questo elettrotensile viene impiegato con accessori o per usi diversi da quelli raccomandati nel presente manuale, potrebbero verificarsi lesioni personali e/o danni alle cose.

### Sicurezza altrui

Non permettere mai di utilizzare l'elettrotensile a bambini, persone con capacità fisiche, sensoriali o mentali ridotte, mancanza di esperienza e di conoscenze o che non abbiano

familiarità con le presenti istruzioni d'uso. Le normative locali potrebbero limitare l'età dell'operatore.

## Rischi residui

L'utilizzo dell'apparecchio può comportare rischi residui non necessariamente riportati nelle presenti avvertenze di sicurezza. Tali rischi possono sorgere a seguito di un uso prolungato o improprio, ecc.

Malgrado il rispetto delle norme di sicurezza pertinenti e l'implementazione di dispositivi di sicurezza, alcuni rischi residui non possono essere evitati. Sono inclusi:

- ◆ lesioni causate o subite a seguito del contatto con parti rotanti/in movimento;
- ◆ lesioni causate o subite durante la sostituzione di parti, lame o accessori;
- ◆ lesioni causate dall'impiego prolungato di un apparecchio (quando si utilizza qualsiasi apparecchio per lunghi periodi, accertarsi di fare regolarmente delle pause);
- ◆ menomazioni uditive;
- ◆ rischi per la salute causati dall'aspirazione di polvere generata dall'utilizzo dell'apparecchio (ad esempio quando si lavora con il legno, in modo particolare quello di quercia, faggio o l'MDF).

## Vibrazioni

I valori delle emissioni di vibrazioni dichiarati, indicati al paragrafo Dati tecnici e nella dichiarazione di conformità, sono stati misurati in base al metodo di prova standard previsto dalla normativa EN60745 e possono essere usati come parametri di confronto tra due utensili. Il valore delle emissioni di vibrazioni dichiarato può anche essere usato come valutazione preliminare dell'esposizione.

**Avvertenza!** Il valore delle emissioni di vibrazioni durante l'impiego effettivo dell'elettrotensile può variare da quello dichiarato a seconda delle modalità d'uso. Il livello delle vibrazioni può aumentare oltre quello dichiarato. Quando si valuta l'esposizione alle vibrazioni per determinare le misure di sicurezza richieste dalla normativa 2002/44/CE destinata alla protezione delle persone che utilizzano regolarmente elettrotensili per lo svolgimento delle proprie mansioni, è necessario prendere in considerazione le condizioni effettive di utilizzo e il modo in cui l'elettrotensile viene usato, oltre che tenere conto di tutte le componenti del ciclo operativo, vale a dire i periodi in cui l'elettrotensile rimane spento, quelli in cui è acceso ma fermo e quelli in cui viene effettivamente utilizzato.

## Etichette sull'elettrotensile

Sull'elettrotensile sono presenti i seguenti simboli assieme al codice data:



**Avvertenza!** Per ridurre il rischio di lesioni personali, l'operatore deve leggere il manuale di istruzioni.

## Altre istruzioni di sicurezza per batterie e caricabatterie Batterie

- ◆ Non tentare mai di aprire le batterie per alcun motivo.
- ◆ Non lasciare che la batteria si bagni.
- ◆ Non conservare la batteria in luoghi dove la temperatura potrebbe superare i 40 °C.
- ◆ Caricare la batteria solo a temperature ambientali comprese tra 10 °C e 40 °C.
- ◆ Caricare la batteria esclusivamente con il caricabatterie fornito in dotazione con l'elettrotensile.
- ◆ Per lo smaltimento delle batterie, seguire le istruzioni fornite alla sezione "Protezione dell'ambiente".

## Caricabatterie

- ◆ Usare il caricabatterie BLACK+DECKER solo per caricare la batteria dell'elettrotensile con il quale è stato fornito. Altre batterie potrebbero scoppiare causando lesioni alle persone e danni alle cose.
- ◆ Non tentare mai di ricaricare batterie non ricaricabili.
- ◆ Fare sostituire immediatamente i cavi di alimentazione difettosi.
- ◆ Non lasciare che il caricabatterie si bagni.
- ◆ Non aprire il caricabatterie.
- ◆ Non introdurre oggetti nel caricabatterie.



Il caricabatterie è destinato all'uso in ambienti chiusi.



Leggere il presente manuale d'uso prima dell'impiego.

## Sicurezza elettrica



Il doppio isolamento di cui è provvisto il caricabatterie rende superfluo il filo di terra. Controllare sempre che la tensione di rete corrisponda a quella indicata sulla targhetta dei dati tecnici. Non tentare mai di sostituire il caricabatterie con una spina elettrica tradizionale.

- ◆ In caso di danneggiamento del cavo di alimentazione è necessario farlo riparare dal fabbricante o presso un centro assistenza BLACK+DECKER autorizzato in modo da evitare pericoli.

## Caratteristiche

Questo apparecchio presenta alcune o tutte le seguenti caratteristiche.

1. Impugnatura
2. Pulsante di accensione
3. Platorello di levigatura

4. Batteria
5. Bocchetta per l'aspirazione delle polveri
6. Caricabatterie

### Procedura di carica (fig. A)

I caricabatterie Stanley FatMax sono progettati per caricare i pacchi batteria Stanley FatMax.

- ◆ Collegare il caricabatterie (6) a una presa di corrente adatta prima di inserire la batteria (4).
- ◆ Inserire la batteria (4) nel caricabatterie (6), come illustrato nella Figura A.
- ◆ Il LED (6a) lampeggia mentre la ricarica è in corso.
- ◆ Il completamento della carica sarà indicato dal LED (6a) che rimane continuamente acceso. La batteria a quel punto è completamente carica e può essere utilizzata in subito o lasciata nel caricabatterie.

**Nota:** ricaricare le batterie scariche al più presto dopo l'uso, altrimenti la loro durata potrebbe diminuire notevolmente.

Per la massima durata delle batterie, non lasciarle scaricare completamente.

Consigliamo di ricaricare le batterie dopo ciascun impiego.

### Batteria lasciata nel caricabatterie

Il caricabatterie (6) e il pacco batteria (4) possono essere lasciati collegati con il LED sempre acceso. Il caricabatterie manterrà il pacco batteria come nuovo e completamente carico.

### Note importanti riguardanti la ricarica

- ◆ È possibile ottenere la massima durata e prestazioni ottimali se la batteria viene caricata con una temperatura dell'aria è compresa tra 18°C e 24°C (65-75°F). NON caricare la batteria a una temperatura dell'aria inferiore a +4,5°C (+40°F) o superiore a +40,5°C (+105°F). Questo fatto è importante e consentirà di evitare gravi danni al pacco batteria.
- ◆ Il caricabatterie e la batteria possono diventare caldi al tatto durante la carica. È un fatto normale che non indica la presenza di problemi. Per facilitare il raffreddamento della batteria dopo l'uso, evitare di posizionare il caricabatterie o il pacco batteria in un ambiente caldo, come ad esempio un capannone di metallo o un rimorchio non isolato.
- ◆ Se la batteria non si ricarica correttamente:
  - ◆ controllare la presenza di corrente nella presa collegandovi una lampada o apparecchio simile;
  - ◆ verificare se la presa è collegata ad un interruttore dell'impianto di illuminazione e si spegne quando si spegne la luce;
  - ◆ spostare il caricabatterie e la batteria in un luogo in cui la temperatura dell'aria circostante è di circa 18-24°C (65-75°F).

- ◆ Se i problemi di carica persistono, portare l'elettrotensile, la batteria e il caricabatterie presso il centro di assistenza di zona.
- ◆ La batteria deve essere sostituita se non riesce a produrre energia a sufficienza per svolgere lavori che prima venivano eseguiti con facilità. NON CONTINUARE a usarla in queste condizioni. Seguire la procedura di carica. È anche possibile caricare una batteria parzialmente utilizzata ogni volta che si desidera senza alcun effetto negativo sulla batteria stessa.
- ◆ Materiali estranei di natura conduttiva quali, a titolo esemplificativo, ma non esaustivo, lana d'acciaio, fogli di alluminio o qualsiasi accumulo di particelle metalliche, devono essere tenuti lontano dalle cavità del caricabatterie. Staccare sempre il caricabatterie dalla presa di corrente quando la batteria non è inserita. Staccare il caricabatterie dalla presa di corrente prima di iniziare a pulirlo.
- ◆ Non immergere nessuna parte del caricabatterie in acqua o altri liquidi.

**Avvertenza!** Non far penetrare alcun liquido all'interno del caricabatterie. Non tentare mai di aprire la batteria per alcun motivo. Se l'involucro in plastica della batteria si rompe o si crepa, portarlo presso un centro di assistenza per il suo riciclaggio.

### Diagnostica del caricabatterie (fig. B)

Per conoscere lo stato di carica della batteria fare riferimento agli indicatori illustrati nella Figura E.

### Batteria guasta

Se compare un simbolo di batteria guasta che lampeggia, non continuare a caricare la batteria. Portarla presso un centro di assistenza o un sito di raccolta per il riciclaggio.

### Ritardo batteria calda/fredda

Quando il caricabatterie rileva una batteria troppo calda o troppo fredda, avvia automaticamente un ritardo per batteria calda/fredda, sospendendo la carica finché la batteria non ha raggiunto la temperatura adeguata. Il caricabatterie passa quindi automaticamente alla modalità di carica. Questa funzione garantisce la massima durata della batteria. Una batteria fredda si carica a una velocità inferiore rispetto a una batteria calda. La batteria ricarica a una velocità rallentata per tutto il ciclo di caricamento e non torna alla velocità di carica massima anche se si scalda.

### Inserimento e rimozione del pacco batteria dall'utensile Per inserire il pacco batteria (fig. C)

- ◆ Inserire la batteria (4) nell'elettrotensile finché non si sente un clic (Figura. C).
- ◆ Assicurarsi che la batteria sia inserita a fondo e completamente bloccata in posizione.

## Per rimuovere il pacco batteria (Fig. D)

- ◆ Premere il pulsante di rilascio della batteria (7) come indicato nella Figura D ed estrarre la batteria (4) dall'elettrotensile.

## Dischi abrasivi con sistema di fissaggio in velcro (fig. E)

Per ottenere i migliori risultati, utilizzare accessori Stanley FatMax.

- ◆ Questa levigatrice è concepita per l'uso con dischi di carta abrasiva standard o retinati in carburo di silicio con schema di foratura a 8 fori per l'aspirazione della polvere.
- ◆ Per montare il disco abrasivo (8), centrarlo attentamente sul piatello di levigatura (3) assicurandosi di allineare i fori del disco con i fori del piatello, e premervi sopra con decisione per fissarlo.
- ◆ Grazie al sistema di fissaggio in velcro, il disco abrasivo può essere facilmente rimosso e riutilizzato, se lo si desidera.

## Utilizzo

**Avvertenza!** Lasciare che l'elettrotensile funzioni al suo ritmo. Non sovraccaricarlo.

## Accensione e spegnimento (fig. F)

- ◆ Per accendere l'elettrotensile, premere l'interruttore l'interruttore di accensione (2) (posizione "I").
- ◆ Per spegnere l'elettrotensile, premere l'interruttore di accensione (2) (posizione "O").

## Funzionamento

Afferare la levigatrice come illustrato nella Figura G e accenderla. Muoversi compiendo colpi lunghi e ampi lungo la superficie e lasciare che la levigatrice svolga il suo lavoro. Se mentre la levigatrice è in uso si esercita su di essa una pressione verso il basso, la velocità di rimozione si riduce e qualità della finitura prodotta è inferiore.

Controllare spesso il lavoro. La levigatrice è in grado di rimuovere rapidamente il materiale, in modo particolare se si utilizza carta abrasiva di grana grossa.

## Raccolta della polvere

**Avvertenza!** La polvere prodotta con la levigatura di superfici rivestite (con poliuretano, olio di semi di lino, ecc.) potrebbe autoincendiarsi e scatenare un incendio. Per ridurre questo rischio, attenersi rigorosamente alle istruzioni contenute nel manuale della levigatrice e alle indicazioni del produttore dei materiali di rivestimento.

## Collegamento a un aspirapolvere (fig. H)

- ◆ Inserire il tubo dell'aspirapolvere (9) infilandolo nell'apertura di estrazione della polvere (5).

## Manutenzione

Questo elettrotensile è stato progettato per funzionare a lungo con una manutenzione minima. Prestazioni sempre soddisfacenti dipendono da una cura appropriata e da una pulizia regolare.

**Avvertenza!** Prima di eseguire operazioni di manutenzione, spegnere l'elettrotensile ed estrarre la spina dalla presa di corrente.

- ◆ Le prese di ventilazione dell'elettrotensile devono essere pulite regolarmente con un pennello morbido o un panno asciutto.
- ◆ Il vano del motore deve essere pulito regolarmente con un panno umido. Non usare materiali abrasivi o detergenti a base di solventi.

## Protezione dell'ambiente



Raccolta differenziata. I prodotti e le batterie contrassegnati con questo simbolo non devono essere smaltiti con i rifiuti domestici normali.

Essi contengono materiali che possono essere recuperati o riciclati, riducendo la richiesta di materie prime.

Riciclare i prodotti elettrici e le batterie attenendosi alle disposizioni locali. Ulteriori informazioni sono disponibili all'indirizzo [www.2helpU.com](http://www.2helpU.com).

## Dati tecnici

FMCW220		
Tensione in ingresso	$V_{ac}$	18
Oscillazioni (a vuoto)	$\text{min}^{-1}$	12000
Rotazioni (a vuoto)	$\text{min}^{-1}$	12000
Superficie della base di levigatura	$\text{mm}^2$	12660
Peso	kg	1,02

Batteria FMC687L		
Tensione	$V_{cc}$	18
Capacità	Ah	2,0
Tipo		1
Caricabatterie 90608625		
Tensione in ingresso	$V_{ca}$	230
Tensione in uscita	$V_{cc}$	18
Corrente	mA	2000

$L_{pa}$ (pressione sonora) 68 dB(A), incertezza (K) 3 dB(A)
$L_{wa}$ (pressione acustica) 79 dB(A), incertezza (K) 3 dB(A)
Valori totali vibrazioni (somma vettoriale triassiale) in base a EN 60745:
Valore emissioni vibrazioni: Impugnatura principale (a <sub>h</sub> ) 5,98 $\text{m/s}^2$ , incertezza (K) 1,5 $\text{m/s}^2$ Impugnatura ausiliaria (a <sub>v</sub> ) 7,3 $\text{m/s}^2$ , incertezza (K) 1,5 $\text{m/s}^2$

**Dichiarazione di conformità CE**

DIRETTIVA MACCHINE

**Levigatrice rotoorbitale FMCW220**

Stanley Europe dichiara che questi prodotti descritti al paragrafo "Dati tecnici" sono conformi a:  
2006/42/EC, EN60745-1:2009+A11:2010,  
EN60745-2-4:2009+A11:2011

Questi prodotti sono conformi alla Direttiva 2014/30/UE e 2011/65/UE. Per ulteriori informazioni contattare Stanley Fat Max al seguente indirizzo oppure consultare l'ultima di copertina del manuale.

Il sottoscritto è responsabile della redazione di questo documento tecnico e rilascia questa dichiarazione per conto di Stanley FatMax.

R. Laverick  
Direttore tecnico  
Stanley Europe, Egide Walschaertsstraat14-18,  
2800 Mechelen, Belgio  
22/08/2017

**Garanzia**

Stanley Fat Max è sicura della qualità dei propri prodotti e offre ai consumatori una garanzia di 12 mesi dalla data di acquisto. Il presente certificato di garanzia è complementare ai diritti legali e non li pregiudica in alcun modo. La garanzia è valida sui territori degli Stati membri dell'Unione Europea o dell'EFTA (Associazione europea di libero scambio). Per attivare la garanzia, il reclamo deve essere effettuato in accordo con i Termini e condizioni Stanley FatMax e sarà necessario presentare la prova di acquisto al venditore o all'agente riparatore autorizzato.

I Termini e condizioni della garanzia Stanley FatMax di 1 anno e la sede del tecnico riparatore autorizzato più vicino sono consultabili online sul sito web [www.2helpU.com](http://www.2helpU.com) oppure contattando la sede Stanley FatMax di zona all'indirizzo indicato in questo manuale.

Visitare il nostro sito web [www.stanley.eu/3](http://www.stanley.eu/3) per registrare il prodotto Stanley FatMax appena acquistato e ricevere gli aggiornamenti sui nuovi prodotti e le offerte speciali.

**Bedoeld gebruik**

De Stanley Excentrische schuurmachine FMCW220 is ontworpen voor het schuren van hout, metaal, kunststof en gevelde oppervlakken. Dit apparaat is bedoeld voor professionele en private, niet-professionele gebruikers.

**Veiligheidsinstructies****Algemene veiligheidswaarschuwingen voor elektrisch gereedschap**

**Waarschuwing! Lees alle veiligheidsinstructies en alle instructies.** Wanneer de volgende waarschuwingen en voorschriften niet in acht worden genomen, kan dit een elektrische schok, brand of ernstig letsel tot gevolg hebben.

**Bewaar alle waarschuwingen en instructies als referentiemateriaal.** De hierna gebruikte term 'elektrisch gereedschap' in alle waarschuwingen die hieronder worden vermeld, heeft betrekking op elektrisch gereedschap voor gebruik op netspanning (met netsnoer) of met een accu (snoerloos).

**1. Veilige werkomgeving**

- a. **Houd uw werkomgeving schoon en goed verlicht.** Op rommelige of donkere plekken zullen sneller ongelukken gebeuren.
- b. **Werk niet met elektrisch gereedschap in een omgeving met explosiegevaar, zoals in de nabijheid van brandbare vloeistoffen, gasen of stof.** Elektrisch gereedschap veroorzaakt vonken die het stof of de dampen kunnen doen ontbranden.
- c. **Houd kinderen en omstanders tijdens het gebruik van elektrisch gereedschap op afstand.** Als u wordt afgeleid, kunt u de controle over het gereedschap verliezen.

**2. Elektrische veiligheid**

- a. **De netstekker van het elektrisch gereedschap moet in het stopcontact passen. Pas de stekker nooit op enige manier aan. Gebruik geen adapterstekkers in combinatie met geaard elektrisch gereedschap.** Niet-aangepaste stekkers en passende contactdozen verminderen het risico van een elektrische schok.
- b. **Vermijd aanraking van het lichaam met geaarde oppervlakken, bijvoorbeeld buizen, verwarmingen, fornuizen en koelkasten.** Er bestaat een verhoogd risico van een elektrische schok als uw lichaam contact heeft met aarde.
- c. **Stel elektrisch gereedschap niet bloot aan regen en vocht.** Als er water in een elektrisch gereedschap dringt, verhoogt dit het risico van een elektrische schok.
- d. **Behandel het snoer voorzichtig. Gebruik het snoer niet om de lader te dragen, naar u toe te trekken of om**



- de stekker uit het stopcontact te trekken. Houd het snoer uit de buurt van warmtebronnen, olie, scherpe randen, of bewegende onderdelen. Beschadigde snoeren of snoeren die in de war zijn geraakt, verhogen het risico van een elektrische schok.
- e. **Gebruik, wanneer u buitenshuis met elektrisch gereedschap werkt, alleen verlengsnoeren die zijn goedgekeurd voor gebruik buitenshuis.** Het gebruik van een verlengsnoer dat geschikt is voor buiten vermindert het risico van een elektrische schok.
- f. **Als u met elektrisch gereedschap werkt op een vochtige locatie, gebruik dan een aardlekschakelaar (RCD).** Het gebruik van een aardlekschakelaar vermindert het risico van een elektrische schok.
3. **Persoonlijke veiligheid**
- a. **Blijf alert, let goed op wat u doet en ga met verstand te werk bij het gebruik van elektrische gereedschappen.** Gebruik elektrisch gereedschap niet als u vermoeid bent of onder de invloed van drugs, alcohol of medicatie bent.  
Een moment van onoplettendheid tijdens het werken met elektrisch gereedschap kan leiden tot ernstig persoonlijk letsel.
- b. **Draag persoonlijke beschermende uitrusting. Draag altijd oogbescherming.** Beschermende uitrusting, zoals een stofmasker, antislip veiligheidsschoenen, een helm, of gehoorbescherming, gebruikt in de juiste omstandigheden, zal het risico op persoonlijk letsel verminderen.
- c. **Voorkom per ongeluk inschakelen. Controleer dat de schakelaar in de uit-stand staat voordat u het gereedschap aansluit op het stopcontact en/of de accu plaatst en voordat u het gereedschap optilt of gaat dragen.** Het dragen van elektrisch gereedschap met uw vinger op de schakelaar of het aanzetten van elektrisch gereedschap waarvan de schakelaar aan staat, kan leiden tot ongelukken.
- d. **Verwijder instelgereedschappen of schroefsleutels voordat u het elektrisch gereedschap inschakelt.** Een steeksleutel of een inbussleutel in een draaiend deel van het elektrisch gereedschap kan tot persoonlijk letsel leiden.
- e. **Reik niet buiten uw macht. Blijf altijd stevig en in balans op de grond staan.** Dit geeft u betere controle over het elektrisch gereedschap in onverwachte situaties.
- f. **Draag geschikte kleding. Draag geen loszittende kleding of sieraden. Houd uw haar, kleding en handschoenen uit de buurt van bewegende onderdelen.** Loszittende kleding, sieraden of lang haar kunnen door bewegende delen worden gegrepen.
- g. **Als voorzieningen voor stofafzuiging of stofopvang kunnen worden gemonteerd, controleer dan dat deze zijn aangesloten en op de juiste wijze worden gebruikt.** Het gebruik van stofafzuiging kan aan stof gerelateerde gevaren verminderen.
- h. **Word niet gemakzuchtig doordat u door veelvuldig gebruik vertrouwd bent geraakt met het gereedschap, en verlies niet de veiligheidsbeginselen uit het oog.** Een onvoorzichtige handeling kan in een fractie van een seconde ernstig letsel tot gevolg hebben.
4. **Gebruik en onderhoud van elektrisch gereedschap**
- a. **Overbelast het elektrisch gereedschap niet. Gebruik het juiste elektrisch gereedschap voor uw toepassing.** Met het juiste elektrisch gereedschap kunt u de werkzaamheden waarvoor het gereedschap is ontworpen, beter en veiliger uitvoeren.
- b. **Gebruik het elektrisch gereedschap niet als de schakelaar niet goed werkt.** Ieder elektrisch gereedschap dat niet met de schakelaar kan worden bediend, is gevaarlijk en moet worden gerepareerd.
- c. **Trek de stekker uit het stopcontact en/of de accu uit het elektrisch gereedschap voordat u het gereedschap instelt, accessoires wisselt of het elektrisch gereedschap opbergt.** Dergelijke preventieve veiligheidsmaatregelen verminderen het risico dat het elektrisch gereedschap per ongeluk wordt gestart.
- d. **Bewaar elektrisch gereedschap dat niet wordt gebruikt, buiten bereik van kinderen. Laat niet personen die er niet vertrouwd mee zijn en deze aanwijzingen niet hebben gelezen met het gereedschap werken.** Elektrisch gereedschap is gevaarlijk in handen van ongetrainde gebruikers.
- e. **Onderhoud het gereedschap goed. Controleer dat bewegende delen van het elektrisch gereedschap wel goed functioneren en niet klemmen, en dat er niet onderdelen zodanig zijn gebroken of beschadigd dat de werking van het gereedschap nadelig wordt beïnvloed. Laat het gereedschap voor gebruik repareren als het beschadigd is.** Veel ongelukken worden veroorzaakt door slecht onderhouden elektrisch gereedschap.
- f. **Houd zaag- en snijgereedschap scherp en schoon.** Goed onderhouden zaaggereedschap met scherpe snijvlakken loopt minder snel vast en is gemakkelijker onder controle te houden.
- g. **Gebruik elektrisch gereedschap, accessoires, zaagjes en boortjes, enz., volgens deze aanwijzingen. Let daarbij op de arbeidsomstandigheden en de uit te voeren werkzaamheden.** Gebruik van het elektrisch gereedschap voor werkzaamheden die anders zijn dan bedoeld, kan leiden tot een gevaarlijke situatie.
- h. **Houd de handgrepen droog, schoon en vrij van olie en vet.** Gladde handgrepen en hellende oppervlakken maken het moeilijk het gereedschap veilig te hanteren en onder controle te houden in onverwachte situaties.

5. **Gebruik en onderhoud van accugereedschap**
  - a. **Laad accu's alleen op met de door de fabrikant aanbevolen lader.**  
Een lader die geschikt is voor het ene type accu, kan een risico van brand doen ontstaan bij gebruik met een andere accu.
  - b. **Gebruik elektrisch gereedschap alleen in combinatie met specifiek vermelde accu's.** Het gebruik van andere accu's kan gevaar voor letsel en brand opleveren.
  - c. **Houd de accu, wanneer u deze niet gebruikt, weg bij andere metalen objecten zoals paperclips, munten, sleutels, spijkers, schroeven of andere kleine metalen voorwerpen die een verbinding tot stand kunnen brengen tussen de ene pool en de andere.** Als kortsluiting tussen de polen van de accu wordt gemaakt, kan dit tot brandwonden of brand leiden.
  - d. **Wanneer de accu slecht wordt behandeld, kan er vloeistof uit de accu spuiten, vermijd contact met deze vloeistof. Als er per ongeluk contact ontstaat, spoel dan met water. Als de vloeistof in de ogen komt, roep dan tevens medische hulp in.** Vloeistof uit de accu kan irritatie en brandwonden veroorzaken.
  - e. **Gebruik niet accu's of gereedschappen die beschadigd zijn of waaraan wijzigingen zijn aangebracht.** Beschadigde of gemodificeerde accu's kunnen zich onvoorspelbaar gedragen wat brand, explosie of een risico van letsel met zich mee kan brengen.
  - f. **Stel een accu of gereedschap niet bloot aan vuur of uitzonderlijk hoge temperaturen.** Blootstelling aan brand of een temperatuur boven 130° C kan explosie tot gevolg hebben.
  - g. **Volg alle instructies voor het opladen en laad de accu of het gereedschap niet bij een temperatuur buiten het temperatuurbereik dat wordt opgegeven in de instructies.** Onjuist opladen of opladen bij temperaturen buiten het opgegeven bereik kan de accu beschadigen en het risico van brand vergroten.
6. **Service**
  - a. **Laat het gereedschap alleen repareren door gekwalificeerd en vakkundig personeel en alleen met originele vervangingsonderdelen.** De veiligheid van het gereedschap blijft dan gewaarborgd.
  - b. **Voer nooit servicewerkzaamheden uit aan accu's.** Alleen de fabrikant of een geautoriseerd servicecentrum mag servicewerkzaamheden aan accu's uitvoeren.

### Aanvullende veiligheidswaarschuwingen voor elektrisch gereedschap



**Waarschuwing!** Aanvullende veiligheidswaarschuwingen voor schuurmachines

- ◆ **Houd het gereedschap vast bij de geïsoleerde groepoppervlakken als u een handeling uitvoert waarbij het schurende hulpstuk met onzichtbare bedrading in aanraking kan komen.** Schuurhulpstukken die in contact komen met bedrading waar spanning op staat, kunnen metalen onderdelen van het gereedschap onder stroom zetten en de gebruiker een elektrische schok geven
- ◆ **Zet het werkstuk met klemmen of op een andere praktische manier vast en ondersteun het op een stabiele ondergrond.** Wanneer u het werkstuk vasthoudt met de hand of het tegen uw lichaam gedrukt houdt, is het instabiel en kunt u de controle verliezen.



**Waarschuwing!** Contact met of inademing van het stof dat bij het schuren vrijkomt, kan de gezondheid van de gebruiker en omstanders schaden. Draag een stofmasker dat speciaal is ontworpen ter bescherming tegen stof en dampen, en zorg ervoor dat andere personen op de werkplek ook zijn beschermd.

- ◆ Verwijder zorgvuldig alle stof na het schuren.
- ◆ Neem speciale maatregelen bij het schuren van verf die mogelijk een loodbasis heeft of bij het schuren van bepaalde hout- en metaalsoorten die mogelijk giftige stoffen produceren:
  - ◆ Kinderen en zwangere vrouwen mogen de werkvloer niet betreden.
  - ◆ Eten, drinken en roken op de werkvloer is niet toegestaan.
  - ◆ Verwijder stof en ander afval op veilige en verantwoorde wijze.
- ◆ Het bedoeld gebruik wordt beschreven in deze gebruiksaanwijzing. Het gebruik van andere accessoires of hulpstukken of uitvoering van andere handelingen met dit gereedschap dan die in deze instructiehandleiding worden aanbevolen, kan leiden tot persoonlijk letsel en/of materiële schade.

### Veiligheid van anderen

Laat nooit kinderen, personen met verminderde fysieke, zintuiglijke of mentale vermogens of met een gebrek aan ervaring en kennis of mensen die niet bekend zijn met deze instructies, de machine gebruiken, ter plaatse geldende bepalingen zullen mogelijk een minimale leeftijd van de gebruiker voorschrijven.

### Overige risico's

Er kunnen zich bij het gebruik van dit gereedschap nog meer risico's voordoen, die mogelijk niet in de bijgesloten veiligheidswaarschuwingen worden beschreven. Deze risico's kunnen zich voordoen door onoordeelkundig gebruik, langdurig gebruik, enz.

Zelfs wanneer de veiligheidsvoorschriften in acht worden genomen en de veiligheidsvoorzieningen worden gebruikt,

kunnen bepaalde risico's niet worden uitgesloten. Dit zijn onder meer:

- ◆ Verwondingen die worden veroorzaakt door het aanraken van draaiende of bewegende onderdelen.
- ◆ Verwondingen die worden veroorzaakt bij het vervangen van onderdelen, bladen of accessoires.
- ◆ Verwondingen die worden veroorzaakt door langdurig gebruik van het gereedschap. Wanneer u langere periodes met de machine werkt, kunt u het beste regelmatig een pauze nemen.
- ◆ Gehoorbeschadiging.
- ◆ Gezondheidsrisico's als gevolg van het inademen van stof dat door gebruik van het gereedschap wordt veroorzaakt (bijvoorbeeld tijdens het werken met hout, met name eiken, beuken en MDF).

### Trillingen

De aangegeven waarden voor trillingsemissie in de technische gegevens en de conformiteitverklaring, zijn gemeten conform een standaardtestmethode die door EN60745 wordt verstrekt. Hiermee kan het ene gereedschap met het andere worden vergeleken. De aangegeven waarde voor trillingsemissie kan ook worden gebruikt bij een voorlopige bepaling van blootstelling.

**Waarschuwing!** De waarde voor trillingsemissie tijdens het werkelijke gebruik van het elektrisch gereedschap kan verschillen van de aangegeven waarde afhankelijk van de manieren waarop het gereedschap wordt gebruikt. Het trilling-sniveau kan toenemen tot boven het aangegeven niveau. Bij beoordeling van de blootstelling aan trillingen met het doel vast te stellen welke veiligheidsmaatregelen 2002/44/EG vereist ter bescherming van personen die tijdens hun werk regelmatig elektrisch gereedschap gebruiken, moet bij een inschatting van de blootstelling aan trillingen rekening worden gehouden met de werkelijke gebruiksomstandigheden en de manier waarop het gereedschap wordt gebruikt. Daarbij moet ook rekening worden gehouden met alle onderdelen van de bedrijfscyclus, zoals wanneer het gereedschap wordt uitgeschakeld en wanneer het gereedschap stationair loopt en ook de aanlooptijd.

### Etiketten op het gereedschap

Naast de datumcode is het gereedschap voorzien van de volgende symbolen:



**Waarschuwing!** De gebruiker moet de instructiehandleiding lezen zodat het risico van letsel wordt beperkt.

### Aanvullende veiligheidsinstructies voor accu's en laders Accu's

- ◆ Probeer nooit om welke reden dan ook de accu open te maken.

- ◆ Stel de accu niet bloot aan water.
- ◆ Bewaar de accu niet op locaties met temperaturen van meer dan 40 °C.
- ◆ Laad de accu alleen op bij een omgevingstemperatuur van 10 °C tot 40 °C.
- ◆ Gebruik alleen de lader die bij het gereedschap is geleverd.
- ◆ Gooi lege accu's weg volgens de instructies in het gedeelte "Milieu".

### Laders

- ◆ Gebruik de lader van BLACK+DECKER alleen voor de accu's in het apparaat waarbij de lader is bijgeleverd. Andere accu's kunnen openbarsten, met persoonlijk letsel en materiële schade tot gevolg.
- ◆ Niet-oplaadbare accu's mogen nooit worden opgeladen.
- ◆ Een defect snoer moet direct worden vervangen.
- ◆ Stel de lader niet bloot aan water.
- ◆ Open de lader niet.
- ◆ Prik nooit met een scherp voorwerp in de lader.



De lader is uitsluitend bestemd voor gebruik binnenshuis.



Lees de instructiehandleiding voordat u de lader in gebruik neemt.

### Elektrische veiligheid



De lader is dubbel geïsoleerd, en daarom is een aarddraad niet nodig. Controleer altijd dat de netspanning overeenkomt met de waarde op het typeplaatje. Probeer nooit de lader te voorzien van een normale netstekker.

- ◆ Als het netsnoer is beschadigd, moet het worden vervangen door de fabrikant of een officieel BLACK+DECKER-servicecentrum zodat gevaarlijke situaties worden voorkomen.

### Functies

Dit gereedschap is voorzien van enkele of alle van de volgende functies.

1. Handgreep
2. Aan/Uit-knop
3. Schuurblad
4. Accu
5. Stofafzuigpoort
6. Lader

### Laadprocedure (afb. A)

Stanley FatMax laders zijn ontworpen voor het laden van Stanley FatMax accu's.

- ◆ Steek de lader (6) in een geschikt stopcontact voordat u de accu (4) plaatst.
- ◆ Plaats de accu (4) in de lader (6), zoals wordt getoond in afbeelding A.
- ◆ Het LED-lampje (6a) gaat knipperen ten teken dat de accu wordt opgeladen.
- ◆ Wanneer de accu geheel is opgeladen, blijft het LED-lampje (6a) ononderbroken branden. De accu is volledig opgeladen en kan worden gebruikt of in de lader blijven zitten.

**Opmerking:** Laad accu's die leeg zijn zo spoedig mogelijk na gebruik op, omdat anders de levensduur van de accu mogelijk ernstig wordt bekort. Accu's hebben de langste levensduur wanneer u ze niet volledig ontlaaft.

Aangeraden wordt de accu's na elk gebruik op te laden.

### De accu in de lader laten

U kunt de accu (4) voor onbeperkte tijd in de lader (6) laten zitten terwijl het LED-lampje brandt. De lader houdt de accu volledig opgeladen.

### Belangrijke opmerkingen over opladen

- ◆ De langste levensduur en de beste prestaties kunnen worden behaald als de accu wordt opgeladen wanneer de luchttemperatuur is tussen 18° en 24 °C. LAAD de accu NIET op bij een luchttemperatuur lager dan +4,5 °C of hoger dan +40,5 °C. Dit is belangrijk en zal ernstige beschadiging van de accu voorkomen.
- ◆ De lader en de accu's zullen tijdens het laden bij aanraking misschien warm aanvoelen. Dit is normaal en wijst niet op een probleem. Plaats de accu en de lader na gebruik niet in een warme omgeving, zoals een metalen schuur of een niet-geïsoleerde aanhangwagen, laat ze op een koele plaats afkoelen.
- ◆ Als de accu niet goed wordt opgeladen:
  - ◆ Controleer de spanning door een lamp of ander apparaat op het stopcontact aan te sluiten.
  - ◆ Controleer of het stopcontact wordt onderbroken door een schakelaar, die het licht uitschakelt en het stopcontact stroomloos maakt.
  - ◆ Breng de lader en de accu naar een plaats waar de lucht/omgevingstemperatuur ongeveer 18°- 24 °C is.
  - ◆ Breng, als de problemen met het opladen aanhouden, het gereedschap, de accu en de lader naar het servicecentrum bij u in de buurt.
- ◆ De accu moet worden opgeladen wanneer de accu niet voldoende vermogen levert voor werkzaamheden die eerder zonder veel moeite werden uitgevoerd. WERK NIET LANGER MET HET GEREEDSCHAP in deze toestand. Volg de procedure voor het laden. U kunt ook een gedeeltelijk lege accu opladen, wanneer u dat maar wilt, zonder dat dat negatieve gevolgen heeft voor de accu.

- ◆ Bepaalde materialen die geleidend zijn, zoals, maar niet uitsluitend, staalwol, aluminiumfolie of een opeenhoping van metaalachtige deeltjes, kunnen beter bij de uitsparingen van de lader worden weggehouden. Trek altijd de stekker uit het stopcontact wanneer er geen accu in de uitsparing van de lader zit. Trek de stekker van de lader uit het stopcontact voordat u de lader gaat reinigen.
- ◆ Laat de lader niet bevriezen en pompel de lader niet onder in water of andere vloeistoffen.

**Waarschuwing!** Laat geen vloeistof in de lader dringen.

Probeer nooit om welke reden dan ook de accu te openen. Als de kunststof behuizing van de accu breekt of scheurt, breng de accu dan naar een servicecentrum waar deze kan worden gerecycled.

### Diagnosefuncties van de lader (afb. B)

Zie de indicatoren in afbeelding B voor de laadstatus van de accu.

### Slechte accu

Ziet u het lampje in een patroon van een slechte accu knip-peren, ga dan niet door met het opladen van deze accu. Breng de accu terug naar het servicecentrum of naar een inzamelpunt waar de accu kan worden gerecycled.

### Hot/Cold Pack Delay (Vertraging Hete/Koude Accu)

Wanneer de lader waarneemt dat een accu te warm of te koud is, wordt onmiddellijk een Hot/Cold Delay gestart en wordt het laden uitgesteld tot de accu een geschikte temperatuur heeft bereikt. De lader schakelt dan automatisch over op de accu-laadstand. Deze functie waarborgt een maximale levensduur van de accu. Een koude accu zal minder snel opladen dan een warme accu. De accu zal minder snel opladen gedurende de gehele laadcyclus en zal niet op maximale snelheid opladen, ook niet als de accu warmer wordt.

### De accu in het apparaat plaatsen en eruit nemen De accu plaatsen (afb. C)

- ◆ Steek de accu (4) in het gereedschap en duw tot u een klik hoort (Afbelding C).
- ◆ Controleer dat de accu geheel en z'n plaats zit en goed is vergrendeld.

### De accu uitnemen (afb. D)

- ◆ Druk op de accuvrijgaveknop (7) zoals wordt getoond in Afbelding D en trek de accu (4) uit het gereedschap.

### Schuurschijven met klittenband bevestigen (afb. E)

U bereikt de beste resultaten met Stanley FatMax-accessoires.

- ◆ De schuurmachine is ontworpen voor gebruik met carbide-schuurpapier of standaard schuurpapier met een stofafzuigpatroon met 8 gaten.

- ◆ Bevestig de schuurschijf (8) door deze voorzichtig midden op het schuurkussen (3) te plaatsen, en let er daarbij op dat de gaten in de schijf over de gaten in het schuurkussen liggen, druk de schijf stevig op z'n plaats.
- ◆ Door de klittenbandbevestiging kan de schuurschijf gemakkelijk weer worden losgetrokken. U kunt de schijf opnieuw gebruiken, als u dat wilt.

## Gebruik van het apparaat

**Waarschuwing!** Laat het gereedschap op zijn eigen snelheid werken. Overbelast het gereedschap niet.

## In- en uitschakelen (afb. F)

- ◆ Schakel het gereedschap in door aan/uit-schakelaar (2) in de stand "I" te drukken.
- ◆ Schakel het gereedschap uit door aan/uit-schakelaar (2) in de stand "O" te drukken.

## Bediening

Pak de schuurmachine vast zoals wordt getoond in afbeelding G en schakel de machine in (ON). Verplaats het gereedschap in lange, vegende slagen over het oppervlak, en laat het zo z'n werk doen.

Door op het gereedschap te duwen maakt u eigenlijk dat het langzamer werkt en dat een afwerking van mindere kwaliteit ontstaat.

Kijk regelmatig hoe uw werkzaamheden vorderen. De schuurmachine kan materiaal snel verwijderen, vooral met grof schuurpapier.

## Stofzuiging

**Waarschuwing!** Stof dat wordt opgevangen bij het schuren van oppervlakte-coatings (polyurethaan, lijnzaadolie, enz.) kan uit zichzelf ontbranden en daardoor kan brand ontstaan. Beperk het risico, volg de handleiding van de schuurmachine en instructies van de fabrikant van de coating.

## Een stofzuiger aansluiten (afb. H)

- ◆ Steek de stofzuigerslang (9) in de stofzuigopening (5).

## Onderhoud

Uw gereedschap is ontworpen om gedurende een lange periode te functioneren met een minimum aan onderhoud. Het continu naar tevredenheid functioneren hangt af van de juiste zorg voor het gereedschap en regelmatig schoonmaken.

**Waarschuwing!** Schakel de machine uit en haal de stekker uit het stopcontact voordat er onderhoud wordt uitgevoerd.

- ◆ Reinig regelmatig de ventilatieopeningen van het gereedschap met een zachte borstel of droge doek.
- ◆ Reinig de behuizing van de motor regelmatig met een vochtige doek. Gebruik niet een schurend schoonmaakmiddel of een schoonmaakmiddel op basis van een oplosmiddel.

## Het milieu beschermen



Gescheiden afvalinzameling. Producten en accu's die zijn voorzien van dit symbool mogen niet bij het normale huishoudafval worden weggegooid

Producten en accu's bevatten materialen die kunnen worden teruggewonnen of gerecycled en dat doet de vraag naar grondstoffen afnemen.

Recycle elektrische producten en accu's volgens de ter plaatse geldende bepalingen. Nadere informatie is beschikbaar op [www.2helpU.com](http://www.2helpU.com)

## Technische gegevens

FMCW220		
Ingangsspanning	$V_{DC}$	18
Trillingen (onbelast)	$min^{-1}$	12000
Omlopen (onbelast)	$min^{-1}$	12000
Oppervlak schuurzool	$mm^2$	12660
Gewicht	kg	1,02
Accu FMC687L		
Spanning	$V_{DC}$	18
Capaciteit	Ah	2,0
Type		1
Lader 90608625		
Ingangsspanning	$V_{AC}$	230
uitgangsspanning	$V_{DC}$	18
Laadstroom	mA	2000

$L_{pA}$ (geluidsdruk) 68 dB(A), Onzekerheid (K) 3 dB(A)
$L_{WA}$ (geluidsvermogen) 79 dB(A), Onzekerheid (K) 3 dB(A)
Totale trillingswaarden (som triaxvector) volgens EN 60745:
Waarde trillingsemissie: Hoofdhandgreep ( $a_h$ ) 5,98 $m/s^2$ , onzekerheid (K) 1,5 $m/s^2$ Hulphandgreep ( $a_h$ ) 7,3 $m/s^2$ , onzekerheid (K) 1,5 $m/s^2$

## EG conformiteitsverklaring RICHTLIJN VOOR MACHINES



### FMCW220 Excentrische schuurmachine

Stanley Europe verklaart dat deze producten, die worden beschreven onder "Technische gegevens", voldoen aan: 2006/42/EC, EN60745-1:2009+A11:2010, EN60745-2-4:2009+A11:2011

Deze producten voldoen tevens aan richtlijn 2014/30/EU en 2011/65/EU. Neem voor meer informatie contact op met Stanley Fat Max op het volgende adres of raadpleeg de achterzijde van de handleiding.

Ondergetekende is verantwoordelijk voor de compilatie van het technische bestand en geeft deze verklaring namens Stanley FatMax af.



R. Laverick  
Director of Engineering  
Stanley Europe, Egide Walschaertsstraat 14-18,  
2800 Mechelen, België  
22/08/2017

## Garantie

Stanley Fat Max heeft vertrouwen in zijn producten en biedt consumenten een garantie van 12 maanden vanaf de datum van aankoop. Deze garantie vormt een aanvulling op uw wettelijke rechten en beperken deze niet. De garantie is geldig op het grondgebied van de Lidstaten van de Europese Unie en de Europese Vrijhandelszone.

Voor een garantie-aanspraak moet uw aanspraak in overeenstemming zijn met de Voorwaarden en Conditie van Stanley Fat Max en moet u een bewijs van aankoop overleggen aan de verkoper of aan een geautoriseerde reparatiemonteur.

Voorwaarden en condities van de 1-jarige garantie van Stanley Fat Max en het adres van de vestiging van het geautoriseerde reparatiecentrum bij u in de buurt, kunt u vinden op internet op [www.2helpU.com](http://www.2helpU.com), of door contact op te nemen met het Stanley Fat Max-kantoor ter plaatse, op het adres dat in deze handleiding wordt vermeld.

Bezoek onze website [www.stanley.eu/3](http://www.stanley.eu/3), waar u uw nieuwe Stanley Fat Max-product kunt registreren en informatie kunt vinden over nieuwe producten en speciale aanbiedingen.

## Uso previsto

La lijadora orbital aleatoria Stanley Fat Max FMCW220 ha sido diseñada para lijar madera, metales, plástico y superficies pintadas. Este aparato está pensado para usuarios profesionales y para usuarios no profesionales privados.

## Instrucciones de seguridad

### Advertencias de seguridad generales para herramientas eléctricas



**Advertencia. Lea todas las advertencias de seguridad y todas las instrucciones.** En caso de no atenerse a las siguientes advertencias e instrucciones de seguridad, podría producirse una descarga eléctrica, incendio o lesión grave.

**Guarde todas las advertencias e instrucciones para futuras consultas.** El término "herramienta eléctrica" empleado en las advertencias a continuación hace referencia a la herramienta eléctrica con alimentación de red (con cable) o alimentada por batería (sin cable).

### 1. Seguridad del área de trabajo

- Mantenga limpia y bien iluminada el área de trabajo.**  
Las áreas en desorden u oscuras pueden provocar accidentes.
- No utilice herramientas eléctricas en entornos con peligro de explosión, como aquellos en los que haya líquidos, gases o polvos inflamables.** Las herramientas eléctricas originan chispas que pueden inflamar el polvo o los gases.
- Mantenga alejados a los niños y otras personas del área de trabajo al emplear la herramienta eléctrica.**  
Las distracciones pueden ocasionar que pierda el control.

### 2. Seguridad eléctrica

- El enchufe de la herramienta eléctrica debe corresponder a la toma de corriente. No modifique nunca el enchufe de ninguna forma. No utilice ningún enchufe adaptador con las herramientas eléctricas conectadas a tierra.** Los enchufes no modificados y las tomas de corriente correspondientes reducirán el riesgo de descarga eléctrica.
- Evite que su cuerpo toque partes conectadas o puestas a tierra tales como tuberías, radiadores, cocinas y refrigeradores.** Existe un mayor riesgo de descarga eléctrica si su propio cuerpo está conectado a tierra.
- No exponga las herramientas eléctricas a la lluvia y a la humedad.** Si entra agua a una herramienta eléctrica aumentará el riesgo de descarga eléctrica.
- Cuide el cable de alimentación. No lo utilice para transportar, tirar o desenchufar el cargador. Mantenga el cable alejado del calor, aceite, bordes afilados y piezas en movimiento.** Los cables dañados o enredados aumentan el riesgo de descarga eléctrica.
- Al trabajar con la herramienta eléctrica en la intemperie utilice solamente cables de prolongación homologados para su uso en exteriores.** La utilización de un cable adecuado para el uso en exteriores reduce el riesgo de descarga eléctrica.
- Si la utilización de una herramienta eléctrica en un lugar húmedo es inevitable, utilice una fuente protegida con un dispositivo diferencial residual (DDR).** El uso de un dispositivo diferencial residual reduce el riesgo de descarga eléctrica.



### 3. Seguridad personal

- a. **Esté atento a lo que hace y emplee la herramienta eléctrica con prudencia. No maneje una herramienta eléctrica cuando esté cansado o bajo los efectos de drogas, medicamentos o alcohol.**

Un momento de falta de atención cuando se manejan las herramientas eléctricas puede ocasionar lesiones personales graves.

- b. **Utilice un equipo de protección personal. Utilice siempre protección ocular.** El uso del equipo protector como mascarillas antipolvo, calzado antideslizante, casco o protección auditiva para condiciones apropiadas reducirá las lesiones personales.
- c. **Impida que la herramienta se ponga en marcha accidentalmente. Asegúrese de que el interruptor se encuentre en la posición de apagado antes de conectar la herramienta a la fuente de alimentación o a la batería, o de coger o transportar la herramienta.** Transportar herramientas eléctricas con el dedo puesto en el interruptor o herramientas eléctricas activadoras que tengan el interruptor encendido puede provocar accidentes.
- d. **Retire las herramientas de ajuste o llaves fijas antes de encender la herramienta eléctrica.** Dejar una llave inglesa u otra llave puesta en una pieza en movimiento de la herramienta eléctrica puede ocasionar lesiones personales.
- e. **Sea precavido. Mantenga un equilibrio adecuado y la estabilidad constantemente.** Esto permite un mejor control de la herramienta eléctrica en situaciones inesperadas.
- f. **Lleve puesta una vestimenta de trabajo adecuada. No se ponga ropa suelta o joyas. Mantenga el cabello, la ropa y los guantes alejados de las piezas en movimiento.** La ropa suelta, las joyas y el pelo largo pueden quedar atrapados en las piezas en movimiento.
- g. **Siempre que sea posible utilizar unos equipos de aspiración o captación de polvo, asegúrese de que estén montados y de se utilicen correctamente.** El uso de equipo de recogida de polvo puede reducir los riesgos relacionados con el polvo.
- h. **Evite que la familiaridad adquirida con el uso frecuente de las herramientas le haga confiarse demasiado e ignorar las normas de seguridad de las herramientas.** Un descuido puede causar lesiones graves en una fracción de segundo.

### 4. Uso y cuidado de herramientas eléctricas

- a. **No sobrecargue la herramienta eléctrica. Use la herramienta eléctrica correcta para su trabajo.** La herramienta eléctrica correcta funcionará mejor y con mayor seguridad si se utiliza de acuerdo con sus características técnicas.

- b. **No utilice la herramienta eléctrica si no se puede encender y apagar con el interruptor.** Toda herramienta eléctrica que no pueda controlarse con el interruptor es peligrosa y debe ser reparada.
- c. **Desconecte el enchufe de la herramienta eléctrica de la fuente de alimentación y/o la batería antes de realizar cualquier ajuste, cambiar accesorios o guardar la herramienta.** Dichas medidas de seguridad preventivas reducen el riesgo de poner en marcha accidentalmente la herramienta eléctrica.
- d. **Guarde las herramientas eléctricas fuera del alcance de los niños y no permita que la utilicen las personas no familiarizadas con su uso o con estas instrucciones.** Las herramientas eléctricas son peligrosas en manos de personas no capacitadas.
- e. **Realice el mantenimiento de sus herramientas eléctricas.**

Controle si funcionan correctamente, sin atascarse, las partes móviles de la herramienta eléctrica, y si existen partes rotas o deterioradas que pudieran afectar al funcionamiento de la herramienta. Si la herramienta eléctrica está dañada, llévela para que sea reparada antes de utilizarla. Se ocasionan muchos accidentes por el mal mantenimiento de las herramientas eléctricas.

- f. **Mantenga las herramientas de corte limpias y afiladas.** Hay menos probabilidad de que las herramientas de cortar con bordes afilados se bloqueen, y son más fáciles de controlar.
- g. **Utilice la herramienta eléctrica, los accesorios, los útiles de la herramienta, etc. de acuerdo con estas instrucciones, y tenga en cuenta las condiciones de trabajo y la tarea que va a realizar.** El uso de la herramienta eléctrica para operaciones que no sean las previstas puede ocasionar una situación peligrosa.
- h. **Mantenga las empuñaduras y superficies de agarre secas, limpias y libres de aceite y grasa.** Las empuñaduras resbalosas y las superficies engrasadas impiden aferrar y controlar la herramienta en situaciones imprevistas.

### 5. Uso y cuidado de la herramienta de baterías

- a. **Recárguela solo con el cargador especificado por el fabricante.** Un cargador adecuado para un tipo de batería puede provocar riesgos de incendios al ser utilizado con otra batería.
- b. **Utilice las herramientas eléctricas solamente con las baterías recomendadas.** El uso de otras baterías puede suponer un riesgo de incendio y lesiones.
- c. **Cuando no utilice la batería, manténgala alejada de objetos de metal como clips para papel, monedas, llaves, clavos, tornillos y otros pequeños objetos**

metálicos que pueden realizar una conexión de un terminal a otro. Si se produce un cortocircuito entre los terminales de la batería, pueden ocasionarse incendios o quemaduras.

- d. **En caso de uso abusivo puede salir líquido de la batería, evite el contacto. Si se produce un contacto accidental, lave con agua. Si el líquido se pone en contacto con los ojos, acuda además a un médico.** El líquido expulsado de la batería podrá provocar irritaciones o quemaduras.
- e. **No use la batería ni la herramienta si están dañadas o han sido modificadas.** Las baterías dañadas o modificadas pueden tener reacciones imprevistas y causar incendios, explosión o riesgo de lesiones.
- f. **No exponga la batería o la herramienta al fuego o a temperaturas excesivas.** La exposición al fuego o a una temperatura superior a 265 °F puede causar una explosión.
- g. **Siga las instrucciones de carga y no cargue la batería o la herramienta fuera del rango de temperatura especificada en las instrucciones.** La carga incorrecta o fuera del rango de temperatura especificado puede dañar la batería y aumentar el riesgo de incendio.

## 6. Reparaciones

- a. **Esta herramienta eléctrica solo la puede reparar personal técnico autorizado que emplee exclusivamente piezas de repuesto originales.** Así se asegurará que se mantenga la seguridad de la herramienta eléctrica.
- b. **Nunca repare la batería si está dañada.** La reparación de la batería puede ser efectuada únicamente por el fabricante o los proveedores de servicio autorizados.

## Advertencias de seguridad adicionales para herramientas eléctricas



**Advertencia.** Advertencias de seguridad adicionales para lijadoras.

- ◆ **Sujete la herramienta eléctrica por la superficie de agarre aislada cuando realice una operación en la que el accesorio de lijado pueda entrar en contacto con cables ocultos.** El contacto de los accesorios de lijado con un cable "cargado", puede cargar las partes metálicas expuestas de la herramienta eléctrica y producir una descarga eléctrica al operador
- ◆ **Utilice fijaciones u otro tipo de método para fijar y apoyar la pieza de trabajo en una plataforma estable.** Si sostiene la pieza de trabajo con las manos o con su cuerpo, esta estará inestable y podrá hacer que usted pierda el control.



**Advertencia.** El contacto o la inhalación del polvo procedente de las aplicaciones de la lijadora puede suponer un peligro para la salud del usuario y de cualquier otra persona que se encuentre a su alrededor. Utilice una mascarilla antipolvo diseñada específicamente para proteger contra el polvo y los vapores y asegúrese de que las demás personas que se encuentren dentro del área de trabajo o que vayan a entrar en ella también estén protegidas.

- ◆ Elimine a fondo todo el polvo después de liar.
- ◆ Tenga especial cuidado cuando lije pinturas con posible contenido de plomo o algunos tipos de maderas y metales que puedan producir polvo tóxico.
  - ◆ No permita la entrada de niños ni de mujeres embarazadas al área de trabajo.
  - ◆ No ingiera alimentos ni bebidas, ni fume en el área de trabajo.
  - ◆ Deshágase de las partículas de polvo y demás residuos de un modo seguro.
- ◆ En este manual de instrucciones se describe el uso previsto. La utilización de accesorios o dispositivos auxiliares o la realización de operaciones distintas a las recomendadas en este manual de instrucciones para esta herramienta puede presentar riesgo de lesiones personales y/o de daños materiales.

## Seguridad de otras personas

Nunca permita que los niños ni las personas con capacidades físicas, sensoriales o mentales disminuidas; que carezcan de experiencia y conocimientos, o que no estén familiarizadas con estas instrucciones utilicen la máquina. Las normas locales pueden restringir la edad del operador.

## Riesgos residuales

El uso de esta herramienta puede producir riesgos residuales adicionales no incluidos en las advertencias de seguridad adjuntas. Estos riesgos se pueden generar por un uso incorrecto, demasiado prolongado, etc.

El cumplimiento de las normas de seguridad correspondientes y el uso de dispositivos de seguridad no evitan ciertos riesgos residuales. Dichos riesgos incluyen:

- ◆ Lesiones producidas por el contacto con piezas móviles o giratorias.
- ◆ Lesiones producidas al cambiar cualquier pieza, hoja o accesorio.
- ◆ Lesiones producidas al usar una herramienta por un tiempo demasiado prolongado. Si utiliza una herramienta durante períodos de tiempo demasiado prolongados, asegúrese de realizar pausas con frecuencia.
- ◆ Deterioro auditivo.
- ◆ Riesgos para la salud producidos al respirar el polvo que se genera al usar la herramienta (por ejemplo: en

los trabajos con madera, especialmente de roble, haya y tableros de densidad mediana).

### Vibración

Los valores de emisión de vibraciones declarados en el apartado de características técnicas y en la declaración de conformidad se han calculado según un método de prueba estándar proporcionado por la norma EN60745 y pueden utilizarse para comparar una herramienta con otra. El valor de emisión de vibraciones especificado también puede utilizarse en una evaluación preliminar de la exposición.

**Advertencia.** El valor de emisión de vibraciones durante el funcionamiento real de la herramienta eléctrica puede diferir del valor declarado en función de cómo se utilice dicha herramienta. El nivel de las vibraciones puede aumentar por encima del nivel declarado.

Al evaluar la exposición a las vibraciones con el fin de determinar las medidas de seguridad que exige la directiva 2002/44/CE para proteger a las personas que utilizan periódicamente herramientas eléctricas en el entorno laboral, deberá tenerse en cuenta una estimación de la exposición a las vibraciones, las condiciones de uso reales y el modo de empleo de la herramienta, así como los pasos del ciclo operativo como, por ejemplo, el número de veces que la herramienta se apaga, el tiempo que está parada y el tiempo de activación.

### Etiquetas en la herramienta

Junto con el código de la fecha, en la herramienta aparecen los siguientes pictogramas:



**Advertencia.** Para reducir el riesgo de lesiones, el usuario debe leer el manual de instrucciones.

### Instrucciones de seguridad adicionales para baterías y cargadores

- ◆ Jamás trate de abrirla por ninguna razón.
- ◆ No exponga las baterías al agua.
- ◆ No las almacene en lugares en los que la temperatura pueda superar los 40 °C.
- ◆ Realice la carga únicamente a una temperatura ambiente de entre 10 °C y 40 °C.
- ◆ Utilice únicamente el cargador suministrado con la herramienta para realizar la carga.
- ◆ Cuando vaya a desechar la batería, siga las instrucciones facilitadas en la sección "Protección del medio ambiente".

### Cargadores

- ◆ Solo debe utilizar el cargador BLACK+DECKER para cargar la herramienta con la que se suministró. Otras baterías podrían explotar y provocar lesiones y daños materiales.
- ◆ Nunca intente cargar baterías no recargables.

- ◆ Sustituya los cables defectuosos inmediatamente.
- ◆ No exponga el cargador al agua.
- ◆ No abra el cargador.
- ◆ No aplique ningún dispositivo para medir la resistencia del cargador.



El cargador ha sido concebido para utilizarse únicamente en un lugar interior.



Lea el manual de instrucciones antes de usar el producto.

### Seguridad eléctrica



El cargador presenta un aislamiento doble; por lo tanto, no se requiere conexión a tierra. Compruebe siempre que el voltaje de la red eléctrica corresponda al valor indicado en la placa de características. No intente sustituir el cargador por un enchufe convencional para la red eléctrica.

- ◆ Si se daña el cable de alimentación, deberá ser sustituido por el fabricante o un centro autorizado de BLACK+DECKER, para evitar riesgos.

### Características

Esta herramienta incluye parte o la totalidad de estas características.

1. Mango
2. Botón de encendido/apagado
3. Base de lijado
4. Batería
5. Salida de extracción de polvo
6. Cargador

### Procedimiento de carga (Fig. A)

Los cargadores Stanley FatMax han sido diseñados para cargar las baterías Stanley FatMax.

- ◆ Conecte el cargador (6) a la toma adecuada antes de introducir el paquete de baterías (4).
- ◆ Introduzca el paquete de baterías (4) en el cargador (6), tal como se muestra en la figura A.
- ◆ El LED (6a) parpadeará para indicar que se está cargando la batería.
- ◆ Al finalizar la carga, el LED (6a) verde permanecerá encendido en modo fijo. La batería estará cargada y podrá usarse, o dejarla en el cargador.

**Nota:** Recargue el conjunto descargado de la batería tan pronto como sea posible después del uso; de lo contrario, se reducirá la vida útil del conjunto de la batería. Para aprovechar al máximo la vida útil de la batería, no deje que la batería se agote.

Es recomendable recargar las baterías después de cada uso.

### Dejar la batería en el cargador

El cargador (6) y la batería (4) pueden permanecer conectados durante un periodo de tiempo indefinido con el indicador LED iluminado. El cargador mantendrá el conjunto de la batería a baja temperatura y completamente cargado.

### Notas importantes para la carga

- ◆ Se puede conseguir una mayor duración y rendimiento si se carga la batería cuando la temperatura ambiente está entre 65 °F y 75 °F (18 °C y 24 °C). NO cargue la batería cuando la temperatura ambiente sea inferior a +40 °F (+4.5 °C) o superior a +105 °F (+40.5 °C). Esto es importante y prevendrá daños serios a la batería.
- ◆ El cargador y la batería pueden calentarse durante la carga. Esto es normal y no indica ningún problema. Para facilitar el enfriamiento de la batería después del uso, evite colocar el cargador o la batería en un ambiente cálido, como un cobertizo metálico o un remolque sin aislamiento.
- ◆ Si la batería no se carga correctamente:
  - ◆ Enchufe una lámpara u otro aparato para comprobar la corriente de la toma.
  - ◆ Compruebe si la toma está conectada a un interruptor de luz que corta la energía al apagar las luces.
  - ◆ Desplace el cargador y la batería hacia un lugar donde la temperatura ambiente sea de aproximadamente 65 °F - 75 °F (18 °C - 24 °C).
  - ◆ Si el problema de carga persiste, lleve la herramienta, la batería y el cargador a su centro de servicios local.
- ◆ La batería debe recargarse cuando no produce energía suficiente para trabajos que antes se efectuaban fácilmente. NO SIGA usándolo en estas condiciones. Siga el procedimiento de carga. También puede cargar un paquete parcialmente usado cuando lo desee, sin ningún efecto adverso para el conjunto de la batería.
- ◆ Los materiales conductores extraños como, a título enunciativo pero no limitativo, lana de acero, papel de aluminio o cualquier acumulación de partículas metálicas deben mantenerse alejados de las cavidades del cargador. Desconecte siempre el cargador de la red cuando el conjunto de la batería no esté colocado en la cavidad. Desconecte el cargador antes de intentar limpiarlo.
- ◆ No lo congele ni lo sumerja en agua u otros líquidos.

**Advertencia.** No permita que ningún líquido penetre en el cargador. No intente nunca abrir la batería por ningún motivo. Si el alojamiento de plástico de la batería se rompe o se agrieta, llévelo a un servicio técnico para reciclarla.

### Diagnóstico del cargador (Fig. B)

Consulte los indicadores de la figura B para el estado de carga de la batería.

### Fallo de la batería

Si nota un patrón de parpadeo erróneo de la batería, no siga recargando la batería. Llévela a un centro de servicios o a un punto de recogida para el reciclaje.

### Retardo por batería fría / caliente

Cuando el cargador detecta una batería demasiado fría o caliente, automáticamente inicia un retardo de batería fría / caliente, suspendiendo la carga hasta que la batería haya alcanzado la temperatura adecuada. El cargador cambiará automáticamente al modo de carga de batería. Esta característica asegura la máxima vida útil a la batería. Una batería fría se carga a una velocidad inferior que una batería caliente. La batería se cargará a una velocidad inferior durante el ciclo completo de recarga y no volverá a la máxima velocidad de carga aunque la batería se caliente.

### Instalación y extracción de la batería de la herramienta **Instalar la batería (Fig. C)**

- ◆ Inserte la batería (4) en la herramienta hasta que oiga un clic (Figura C).
- ◆ Asegúrese de que el paquete de baterías quede bien colocado y enganchado en su posición.

### Extracción del paquete de baterías (Fig. D)

- ◆ Presione el botón de extracción de la batería (7) como se muestra en la figura D y saque la batería (4) de la herramienta.

### Montar los discos con velcro (Fig. E)

Para obtener mejores resultados, use los accesorios de Stanley FatMax.

- ◆ La lijadora ha sido diseñada para usar ya sea con papel de lija reticulado de carburo o con papel de lija común con el patrón de extracción de polvo de 8 agujeros.
- ◆ Para montar el disco abrasivo (8), céntrelo con cuidado sobre la base de lijado (3) comprobando que los agujeros del disco coincidan con los agujeros de la base y apriete bien el disco en su posición.
- ◆ El disco con sistema de tejido con ganchos y con fibras enmarañadas en bucle se saca fácilmente tirándolo. Puede volverlo a utilizar según lo desee.

### Uso

**Advertencia.** Deje que la herramienta funcione a su ritmo. No la sobrecargue.

### Encendido y apagado (Fig. F)

- ◆ Para encender la herramienta, pulse el interruptor de encendido/apagado (2) hacia la posición I.
- ◆ Para apagar la herramienta, pulse el interruptor de encendido/apagado (2) hacia la posición O.

## Funcionamiento

Aferre la lijadora como se muestra en la figura G y enciéndala. Desplácela a lo largo, barriendo la superficie y dejando que trabaje sola.

Si aprieta hacia abajo la herramienta mientras lija, disminuye la velocidad de extracción y se obtiene un acabado de calidad inferior.

Compruebe a menudo su trabajo. La lijadora puede extraer material en forma rápida, especialmente si se usa papel de grano grueso.

## Recolección de polvo

**Advertencia.** El polvo de lijado recogido de los revestimientos de las superficies lijadas (poliuretano, aceite de lino, etc.) pueden encenderse y causar un incendio. Para reducir este riesgo, siga estrictamente las instrucciones del manual de la lijadora y del fabricante del revestimiento.

## Conexión de una aspiradora (Fig. H)

- ◆ Inserte la manguera (9) de la aspiradora en la salida de aspiración de polvo (5).

## Mantenimiento

La herramienta ha sido diseñada para que funcione durante un largo período de tiempo con un mantenimiento mínimo. El funcionamiento satisfactorio y continuo depende del buen cuidado de la herramienta y de una limpieza frecuente.

**Advertencia.** Antes de realizar cualquier tarea de mantenimiento, apague y desenchufe la herramienta.

- ◆ Limpie periódicamente las ranuras de ventilación de la herramienta con un cepillo suave o un paño seco.
- ◆ Limpie periódicamente la carcasa del motor con un paño húmedo. No utilice limpiadores abrasivos o a base de disolventes.

## Protección del medioambiente



Recogida selectiva. Los productos y las baterías marcadas con este símbolo no se deben desechar junto con los residuos domésticos normales

Los productos y las baterías que contienen materiales que se puedan recuperar o reciclar reducen la demanda de materias primas.

Recicle los productos eléctricos y las baterías de conformidad con la normativa local. Puede obtener más información en [www.2helpU.com](http://www.2helpU.com)

## Datos técnicos

FMCW220		
Voltaje de entrada	V <sub>cc</sub>	18
Oscilaciones (sin carga)	min <sup>-1</sup>	12000
Órbitas (sin carga)	min. <sup>-1</sup>	12000
Superficie de la base de lijado	mm <sup>2</sup>	12660
Peso	kg	1.02
Batería FMC687L		
Tensión	V <sub>cc</sub>	18
Capacidad	Ah	2.0
Tipo		1

Cargador 90608625		
Voltaje de entrada	V <sub>ca</sub>	230
Voltaje de salida	V <sub>cc</sub>	18
Corriente	mA	2000

L <sub>PA</sub> (presión acústica) 68 dB(A), incertidumbre (K) 3 dB(A)
L <sub>WA</sub> (potencia acústica) 79 dB(A), incertidumbre (K) 3 dB(A)
Valores totales de vibración (suma vectorial triaxial) de acuerdo con la norma EN 60745:
Valor de emisión de vibraciones: Empuñadura principal (a <sub>h</sub> ) 5.98 m/s <sup>2</sup> , incertidumbre (K) 1.5 m/s <sup>2</sup> Empuñadura auxiliar (a <sub>h</sub> ) 7.3 m/s <sup>2</sup> , incertidumbre (K) 1.5 m/s <sup>2</sup>

## Declaración de conformidad CE DIRECTIVA DE MÁQUINAS



## Lijadora orbital aleatoria FMCW220

Stanley Europe declara que los productos descritos en la "ficha técnica" cumplen con las siguientes directrices: 2006/42/CE, EN60745-1:2009+A11:2010, EN60745-2-4:2009+A11:2011

Estos productos también cumplen las Directivas 2014/30/UE y 2011/65/UE. Si desea obtener más información, póngase en contacto con Stanley Fat Max a través de la siguiente dirección o consulte el dorso del manual.

El abajo firmante es el responsable de la elaboración del archivo técnico y realiza esta declaración en nombre de Stanley FatMax.

R. Laverick  
Director de Ingeniería  
Stanley Europe, Egide Walschaertsstraat 14-18,  
2800 Mechelen, Bélgica  
22/08/2017

## Garantía

Stanley Fat Max confía en la calidad de sus productos y ofrece a los consumidores una garantía de 12 meses a partir de la fecha de compra. Esta garantía es adicional a sus derechos legales y no los menoscaba en modo alguno. La garantía es válida dentro de los territorios de los Estados Miembros de la Unión Europea y del Área de Libre Comercio Europea.

Para reclamar la garantía, la reclamación se deberá presentar de conformidad con las condiciones de Stanley FatMax, y se deberá presentar el justificante de compra al vendedor o al agente técnico autorizado.

Las condiciones de la garantía de 1 años de Stanley FatMax y la ubicación de su agente técnico autorizado más cercano se pueden obtener en Internet en [www.2helpU.com](http://www.2helpU.com) o poniéndose en contacto con su oficina local de Stanley FatMax en la dirección que se indica en este manual.

Visite nuestro sitio web [www.stanley.eu/3](http://www.stanley.eu/3) para registrar su nuevo producto Stanley FatMax y recibir noticias sobre otros nuevos productos y ofertas especiales.

## PORTUGUÊS

(Tradução das instruções originais)

## Utilização pretendida

A lixadora de movimento rotativo orbital Stanley Fat Max FMCW220 foi concebida para lixar madeira, metal, plástico e superfícies pintadas. Este aparelho destina-se a utilização profissional bem como a utilizadores privados não profissionais.

## Instruções de segurança

### Avisos de segurança gerais para ferramentas eléctricas



**Atenção! Leia todos os avisos de segurança e todas as instruções.** O não cumprimento dos seguintes avisos e instruções pode resultar em choque eléctrico, incêndio e/ou graves lesões.

**Guarde todos os avisos e instruções para futura referência.** A expressão "ferramenta eléctrica" utilizada a seguir refere-se a ferramentas eléctricas com ligação à corrente eléctrica (com cabo) ou com bateria (sem fios).

#### 1. Segurança na área de trabalho

- a. **Mantenha a área de trabalho limpa e bem iluminada.** As áreas desorganizadas ou escuras são propensas a acidentes.

- b. **Não trabalhe com ferramentas eléctricas em áreas com risco de explosão, nas quais se encontrem líquidos, gases ou poeiras inflamáveis.** As ferramentas eléctricas criam faíscas que poderão inflamar estas poeiras ou vapores.
- c. **Mantenha crianças e outras pessoas afastadas durante a utilização da ferramenta eléctrica.** As distrações podem levar à perda do controlo da ferramenta.

#### 2. Segurança eléctrica

- a. **As fichas da ferramenta eléctrica devem encaixar na tomada. Nunca modifique a ficha de forma alguma. Não utilize fichas adaptadoras com ferramentas eléctricas ligadas à terra.** As fichas não modificadas e as tomadas compatíveis reduzem o risco de choque eléctrico.
- b. **Evite que o corpo entre em contacto com superfícies ligadas à terra, como tubos, radiadores, fogões e frigoríficos.** Se o seu corpo estiver "ligado" à terra, o risco de choque eléctrico é maior.
- c. **As ferramentas eléctricas não podem ser expostas a chuva nem humidade.** A entrada de água numa ferramenta eléctrica aumenta o risco de choque eléctrico.
- d. **Manuseie o cabo com cuidado. O cabo não deve ser utilizado para transportar ou pendurar o aparelho, nem para puxar a ficha da tomada. Mantenha o cabo afastado de fontes de calor, substâncias oleosas, extremidades aguçadas ou peças móveis.** Os cabos danificados ou emaranhados aumentam o risco de choque eléctrico.
- e. **Quando trabalhar com uma ferramenta eléctrica ao ar livre, utilize uma extensão adequada para esse fim.** A utilização de um cabo adequado para uso ao ar livre reduz o risco de choque eléctrico.
- f. **Se for inevitável trabalhar com uma ferramenta eléctrica num local húmido, utilize um dispositivo de corrente residual (RCD).** A utilização de um RCD reduz o risco de choque eléctrico.

#### 3. Segurança pessoal

- a. **Mantenha-se atento, observe o que está a fazer e seja prudente quando trabalhar com a ferramenta eléctrica. Não utilize uma ferramenta eléctrica quando estiver cansado ou sob o efeito de drogas, álcool ou medicamentos.** Um momento de distração durante a utilização de ferramentas eléctricas poderá resultar em ferimentos graves.
- b. **Utilize equipamento de protecção pessoal. Use sempre uma protecção ocular.** O equipamento de protecção, como, por exemplo, uma máscara contra o pó, sapatos de segurança antiderrapantes, um capacete de



- segurança ou uma proteção auditiva, usado nas condições apropriadas, reduz o risco de ferimentos.
- c. **Evite arranques involuntários. Certifique-se de que o botão está desligado antes de ligar a ferramenta à corrente eléctrica e/ou à bateria, e antes de levantar ou transportar a ferramenta.** Se mantiver o dedo sobre o interruptor ao transportar ferramentas eléctricas ou se as ligar à fonte de alimentação com o interruptor ligado, isso poderá dar origem a acidentes.
  - d. **Retire eventuais chaves de ajuste ou chaves de fendas antes de ligar a ferramenta eléctrica.** Uma chave de fenda ou de ajuste que se encontre numa peça em rotação da ferramenta elétrica poderá causar lesões.
  - e. **Não tente chegar a pontos fora do alcance. Mantenha sempre os pés bem apoiados e um equilíbrio apropriado.** Desta forma, será mais fácil controlar a ferramenta eléctrica em situações inesperadas.
  - f. **Use vestuário adequado. Não use roupa larga ou joias. Mantenha o cabelo, a roupa e as luvas afastados das peças móveis.** As roupas largas, as joias ou o cabelo comprido podem ficar presos nestas peças.
  - g. **Se for prevista a montagem de dispositivos de extracção e recolha de poeiras, assegure-se de que estão ligados e que são utilizados de forma correcta.** A utilização de dispositivos de extração de partículas pode reduzir os riscos relacionados com as mesmas.
  - h. **Não permita que o facto de estar familiarizado com a utilização frequente das ferramentas o torne complacente e ignore os princípios de segurança da ferramenta.** Uma acção irreflectida pode causar ferimentos numa fracção de segundos.
4. **Utilização e manutenção da ferramenta eléctrica**
    - a. **Não sobrecarregue a ferramenta eléctrica. Utilize a ferramenta eléctrica correcta para o seu trabalho.** A ferramenta eléctrica adequada irá efetuar o trabalho de um modo mais eficiente e seguro se for utilizada de acordo com a capacidade para a qual foi concebida.
    - b. **Não utilize a ferramenta eléctrica se o interruptor não puder ser ligado ou desligado.** Qualquer ferramenta eléctrica que não possa ser controlada através do interruptor de alimentação é perigosa e tem de ser reparada.
    - c. **Desligue a ficha da tomada e/ou a bateria da ferramenta eléctrica antes de proceder a ajustes, trocar acessórios ou guardar ferramentas eléctricas.** Estas medidas de segurança preventivas reduzem o risco de ligar a ferramenta elétrica acidentalmente.
    - d. **Mantenha as ferramentas eléctricas que não estiverem a ser utilizadas fora do alcance das crianças. Não permita que a ferramenta eléctrica seja utilizada por pessoas não familiarizadas com a mesma ou que não tenham lido estas instruções.** As ferramentas eléctricas são perigosas nas mãos de pessoas que não possuem as qualificações necessárias para as manusear.
  - e. **Proceda à manutenção das ferramentas eléctricas. Verifique se as partes móveis estão desalinhasadas ou bloqueadas, se existem peças partidas ou qualquer outra situação que possa afetar o funcionamento das ferramentas eléctricas. Se a ferramenta eléctrica estiver danificada, esta não deve ser utilizada até que seja reparada.** Muitos acidentes têm como principal causa ferramentas eléctricas com uma manutenção insuficiente.
  - f. **Mantenha as ferramentas de corte afiadas e limpas.** As ferramentas de corte sujeitas a uma manutenção adequada, com arestas de corte afiadas, emperram com menos frequência e controlam-se com maior facilidade.
  - g. **Utilize a ferramenta eléctrica, os acessórios e as peças de ferramenta, etc., de acordo com estas instruções, considerando as condições de trabalho e a tarefa a ser executada.** A utilização da ferramenta eléctrica para fins diferentes dos previstos poderá resultar em situações perigosas.
  - h. **Mantenha os punhos e as pegas de fixação secos, limpos e sem qualquer óleo ou gordura.** Se tiver as mãos escorregadias e as superfícies com gordura, isso não permite um manuseamento e controlo seguros da ferramentas em situações inesperadas.
5. **Utilização e cuidados a ter com a ferramenta com baterias**
    - a. **Carregue apenas com o carregador especificado pelo fabricante.** Um carregador adequado para um tipo de bateria pode causar um incêndio se for utilizado com outra bateria.
    - b. **Utilize ferramentas eléctricas apenas com baterias específicas.** A utilização de outras baterias pode dar origem a risco de danos e incêndio.
    - c. **Quando não utilizar a bateria, mantenha-a afastada de outros objectos metálicos, tais como cliques para papel, moedas, chaves, pregos, parafusos ou outros pequenos objectos metálicos que permitam fazer a ligação de um terminal para outro.** O curto-circuito de terminais das baterias pode causar queimaduras ou incêndio.
    - d. **Em condições abusivas, pode derramar líquido da bateria, devendo evitar o contacto. Se tocar acidentalmente no líquido, lave bem com água. Se o líquido entrar em contacto com os olhos, consulte um médico.** O líquido derramado da bateria pode causar irritação ou queimaduras.
    - e. **Não utilize uma bateria ou uma ferramenta que esteja danificada ou modificada.** As baterias danificadas ou modificadas podem ter um comportamento imprevisível,

podendo dar origem a um incêndio, explosão ou risco de ferimentos.

- f. **Não exponha a bateria ou ferramenta ao fogo ou excesso de temperatura.** A exposição ou uma temperatura superior a 130 °C pode dar origem a uma explosão.
- g. **Siga todas as instruções de carregamento e não carregue a bateria ou a ferramenta fora da gama de temperaturas especificadas nas instruções.** Se o carregamento não for efectuado correctamente ou se a temperaturas não estiverem de acordo com o limite especificado, a bateria pode ficar danificada e há um maior risco de incêndio.

#### 6. Assistência

- a. **A sua ferramenta eléctrica só deve ser reparada por pessoal qualificado e só devem ser colocadas peças sobressalentes originais.** Desta forma, é garantida a segurança da ferramenta eléctrica.
- b. **Nunca repare baterias danificadas.** A reparação de baterias só deve ser efectuada pelo fabricante ou por fornecedor de serviços autorizado.

### Avisos de segurança adicionais para ferramentas eléctricas



**Atenção!** Avisos de segurança adicionais para lixadoras

- ◆ **Segure a ferramenta eléctrica pelas áreas isoladas quando executar uma operação em que o acessório de lixagem possa entrar em contacto com a cablagem oculta.** O acessório de lixagem que entre em contacto com um fio com tensão eléctrica poderá fazer com que as peças de metal expostas da ferramenta conduzam electricidade e electrocutem o utilizador
- ◆ **Utilize grampos ou outro sistema prático para fixar e apoiar a peça numa plataforma estável.** Segurar a peça com a mão ou contra o corpo pode causar instabilidade e perda de controlo.



**Atenção!** O contacto ou a inalação de poeiras originadas pelas aplicações da lixadora poderá colocar em perigo a saúde do operador ou das pessoas presentes. Utilize uma máscara especificamente concebida para protecção contra poeiras e vapores e certifique-se de que as pessoas perto da área de trabalho também estão protegidas.

- ◆ Remova completamente toda a poeira depois de terminar.
- ◆ Tenha cuidados especiais quando lixar pinturas que possam conter chumbo ou algumas madeiras e metais que possam produzir poeiras tóxicas:

- ◆ Não permita que crianças ou mulheres grávidas entrem na área de trabalho.
- ◆ Não coma, beba ou fume na área de trabalho.
- ◆ Elimine as partículas de poeira e outros detritos de forma segura.
- ◆ A utilização adequada é descrita neste manual de instruções. A utilização de qualquer acessório ou a realização de qualquer operação com esta ferramenta que não se inclua no presente manual de instruções poderá representar um risco de ferimentos e/ou danos materiais.

### Segurança de terceiros

Não permita que crianças, pessoas com capacidades físicas, sensoriais ou mentais reduzidas ou falta de experiência ou conhecimentos ou não familiarizadas com estas instruções utilizem a máquina. Os regulamentos locais podem restringir a idade do operador.

### Riscos residuais

Podem surgir riscos residuais adicionais durante a utilização da ferramenta, que poderão não constar nos avisos de segurança incluídos. Estes riscos podem resultar de má utilização, uso prolongado, etc.

Mesmo com o cumprimento dos regulamentos de segurança relevantes e a implementação de dispositivos de segurança, alguns riscos residuais não podem ser evitados. Estes incluem:

- ◆ Ferimentos causados pelo contacto com peças em rotação/movimento.
- ◆ Ferimentos causados durante a troca de peças, lâminas ou acessórios.
- ◆ Ferimentos causados pela utilização prolongada de uma ferramenta. Quando utilizar uma ferramenta durante períodos prolongados, certifique-se de que faz pausas regularmente.
- ◆ Danos auditivos.
- ◆ Problemas de saúde causados pela inalação de poeiras resultantes da utilização da ferramenta (exemplo: trabalhos em madeira, especialmente carvalho, faia e MDF).

### Vibração

Os valores de emissão de vibração declarados na secção de dados técnicos e na declaração de conformidade foram medidos de acordo com o método de teste padrão fornecido pela EN EN60745 e podem ser utilizados para comparar ferramentas. O valor de emissão de vibração declarado pode ainda ser utilizado numa avaliação preliminar de exposição.

**Atenção!** O valor de emissão de vibração durante a utilização real da ferramenta eléctrica pode ser diferente do valor declarado, dependendo da forma como a ferramenta é utilizada. O nível de vibração pode aumentar acima do nível indicado.

Quando avaliar a exposição da vibração para determinar as medidas de segurança exigidas pela Diretiva 2002/44/CE para proteger pessoas que utilizem regularmente ferramentas eléctricas na sua atividade profissional, deve ser considerada uma estimativa de exposição de vibração, as condições reais de utilização e o modo de utilização da ferramenta, incluindo ainda todas as partes do ciclo de funcionamento, como os períodos de inatividade e espera da ferramenta, para além do tempo de funcionamento.

### Etiquetas colocadas na ferramenta

A ferramenta apresenta os seguintes pictogramas de aviso juntamente com o código de data:



**Atenção!** Para reduzir o risco de ferimentos, o utilizador deve ler o manual de instruções.

### Instruções de segurança adicionais para baterias e carregadores Baterias

- ◆ Nunca tente abrir a bateria, seja qual for o motivo.
- ◆ Não exponha a bateria à água.
- ◆ Não armazene em locais onde a temperatura possa exceder os 40 °C.
- ◆ Carregue apenas a temperaturas ambiente entre 10 °C e 40 °C.
- ◆ Carregue apenas com o carregador fornecido com a ferramenta.
- ◆ Ao eliminar as baterias, siga as instruções indicadas na secção "Proteção do ambiente".

### Carregadores

- ◆ Utilize o seu carregador BLACK+DECKER apenas para carregar a bateria da ferramenta com que foi fornecido. Outras baterias podem rebentar, provocando ferimentos e danos.
- ◆ Nunca tente carregar baterias não recarregáveis.
- ◆ Substitua os cabos defeituosos imediatamente.
- ◆ Não exponha o carregador à água.
- ◆ Não abra o carregador.
- ◆ Não manipule o interior do carregador.



O carregador deverá ser utilizado apenas em espaços interiores.



Antes da utilização, leia o manual de instruções.

### Segurança eléctrica



O seu carregador tem isolamento duplo. Por esse motivo, não precisa de ligação à terra. Verifique sempre se a tensão de alimentação corresponde à tensão indicada na placa sinalética. Nunca tente substituir a unidade do carregador por uma tomada de alimentação normal.

- ◆ Se o cabo de alimentação estiver danificado, terá de ser substituído pelo fabricante ou por um centro autorizado BLACK+DECKER para evitar acidentes.

### Componentes

Esta ferramenta inclui algumas ou todas as características seguintes.

1. Punho
2. Botão para ligar/desligar
3. Patim de lixagem
4. Bateria
5. Saída de extracção de serradura
6. Carregador

### Procedimento de carga (Fig. A)

Os carregadores Stanley FatMax são concebidos para carregar baterias Stanley FatMax.

- ◆ Ligue o carregador (6) numa tomada adequada antes de inserir a bateria (4).
- ◆ Insira a bateria (4) no carregador (6), como indicado na Figura A.
- ◆ O LED (6a) ficará a piscar, indicando que a bateria está a ser carregada.
- ◆ A conclusão do processo de carregamento é LED (6a), que permanece ligado de maneira contínua. A bateria fica totalmente carregada e pode ser utilizada nesta altura ou pode deixá-la no carregador.

**Nota:** Recarregue as baterias descarregadas assim que possível após a utilização, caso contrário a duração da bateria pode diminuir consideravelmente. Para uma maior duração da bateria, não descarregue as baterias totalmente. Recomenda-se que as baterias sejam carregadas após cada utilização.

### Deixar a bateria no carregador

O carregador (6) e a bateria (4) podem permanecer ligados com o LED aceso indefinidamente. O carregador irá manter a bateria completamente carregada.

### Notas importantes sobre carregamento

- ◆ É possível aumentar a duração e o desempenho da bateria se carregá-la quando a temperatura ambiente se situar entre 18 °C e 24 °C. NÃO carregue a bateria se a temperatura ambiente for inferior a +4,5 °C ou superior a +40,5 °C. Isto é importante e impede danos graves na bateria.
- ◆ O carregador e a bateria podem ficar demasiado quentes durante o carregamento. Isto é normal e não representa um problema. Para facilitar o arrefecimento da bateria, evite colocar o carregador ou a bateria num local quente, como num barracão metálico ou num reboque não isolado.
- ◆ Se a bateria não carregar correctamente:

- ◆ Verifique a corrente no receptáculo, ligando uma lâmpada ou outro aparelho.
- ◆ Verifique se o receptáculo está ligado a um comutador de iluminação que se desliga quando desliga as luzes.
- ◆ Coloque o carregador e a bateria num local onde a temperatura do ar ambiente seja de aproximadamente 18 ° - 24 °C.
- ◆ Se os problemas de carregamento persistirem, leve a ferramenta, a bateria e o carregador para um centro de assistência local.
- ◆ A bateria deve ser recarregada se não fornecer energia suficiente durante trabalhos que tenham sido efectuados facilmente. NÃO CONTINUE a utilizar o aparelho nestas condições. Siga o procedimento de carregamento. Pode também carregar uma bateria parcialmente utilizada sempre que quiser, porque não afecta a bateria.
- ◆ Os materiais estranhos condutores como, por exemplo, mas não limitado a, lâ de aço, folha de alumínio ou qualquer acumulação de partículas metálicas devem ser removidos dos orifícios do carregador. Desligue sempre o carregador da fonte de alimentação quando não estiver inserida uma bateria no respectivo orifício. Desligue o carregador antes de proceder à limpeza.
- ◆ Não congele nem coloque o carregador dentro de água ou de outros líquidos.

**Atenção!** Não permita a entrada de líquidos no carregador. Nunca tente abrir a bateria, seja qual for o motivo. Se a estrutura de plástico da bateria se partir ou rachar, envie o aparelho para um centro de assistência para reciclagem.

### Diagnóstico do carregador (Fig. B)

Consulte os indicadores indicados na Figura B para saber qual é o estado da carga da bateria.

### Problemas na bateria

Se aparecer um padrão intermitente de problemas na bateria, interrompa o carregamento desta bateria. Entregue-a num centro de assistência ou num local de recolha para reciclagem.

### Retardação de calor/frio

Quando o carregador detecta que uma bateria está demasiado quente ou fria, inicia automaticamente a retardação de calor/frio, interrompendo o processo de carga até a bateria atingir a temperatura adequada. Em seguida, o carregador muda automaticamente para o modo de carga. Esta função assegura a duração máxima da bateria. Uma bateria fria fica carregada a uma taxa mais lenta do que uma bateria quente. A bateria irá carregar a essa taxa mais lenta durante todo o ciclo de carga e não recupera a taxa de carga máxima, mesmo que a bateria aqueça.

### Inserir e retirar a bateria da ferramenta Instalar a bateria (Fig. C)

- ◆ Insira a bateria (4) na ferramenta até ouvir um som de encaixe (Figura C)
- ◆ Certifique-se de que a bateria está totalmente encaixada na posição.

### Retirar a bateria (fig. D)

- ◆ Prima o botão de libertação da bateria (7), como indicado na Figura D e retire a bateria (4) da ferramenta.

### Instalar os discos abrasivos com velcro (Fig. E)

Para obter os melhores resultados, utilize os acessórios Stanley FatMax.

- ◆ A lixadora foi concebida para utilização com uma lixa de malha de carboneto ou com uma lixa normal com um padrão de extracção de poeira de 8 furos.
- ◆ Para instalar o disco abrasivo (8), centre-o com cuidado sobre o patim de lixagem (3), certificando-se de que os furos no disco ficam alinhados com os furos no patim e insira o disco com firmeza.
- ◆ Para retirar o disco abrasivo, com sistema de fixação por velcro, basta puxá-lo. Pode utilizá-lo de novo, se necessário.

### Utilização

**Atenção!** Não altere o ritmo de funcionamento da ferramenta. Não sobrecarregue.

### Ligar e desligar (Fig. F)

- ◆ Para ligar a ferramenta, prima o interruptor de ligar/desligar (2) para a posição "I".
- ◆ Para desligar a ferramenta, prima o interruptor de ligar/desligar (2) para a posição "O".

### Funcionamento

Segure na lixadora como indicado na Figura G e ligue-a. Utilize-a com movimentos longos e amplos ao longo da superfície, permitindo à ferramenta funcionar.

Se empurrar a ferramenta para baixo durante a lixagem, a taxa de remoção diminui e a qualidade do acabamento é inferior.

Verifique o trabalho com frequência. A lixadora tem capacidade para remover material com rapidez, em especial com papel grosso.

### Recolha de poeiras

**Atenção!** O pó produzido pelos revestimentos das superfícies de lixagem (poliuretano, óleo de linhaça, etc.) pode inflamar-se e causar um incêndio. Para reduzir o risco, siga rigorosamente o manual da lixadora e as instruções do fabricante do revestimento.

**Ligar um aspirador (Fig. H)**

- ◆ Introduza a mangueira (9) do aspirador na saída de extracção de peiras (5).

**Manutenção**

A sua ferramenta foi concebida para funcionar por um longo período de tempo com uma manutenção mínima. Uma utilização continuamente satisfatória depende de uma manutenção apropriada da ferramenta e de uma limpeza regular.

**Atenção!** Antes de proceder a qualquer ação de manutenção, desligue a ferramenta e retire a ficha da tomada.

- ◆ Limpe regularmente as aberturas de ventilação da ferramenta com uma escova suave ou um pano seco.
- ◆ Limpe regularmente o compartimento do motor com um pano húmido. Não utilize produtos de limpeza abrasivos ou à base de dissolventes.

**Proteção do ambiente**

Faça uma recolha de lixo seletiva. Os produtos e baterias assinalados com este símbolo não devem ser eliminados em conjunto com resíduos domésticos normais

Os produtos e as baterias contêm materiais que podem ser recuperados ou reciclados, reduzindo assim a necessidade de matérias-primas.

Recicle os produtos eléctricos e as baterias de acordo com as disposições locais. Estão disponíveis mais informações em [www.2helpU.com](http://www.2helpU.com)

**Dados técnicos**

FMCW220		
Tensão de entrada	V <sub>cc</sub>	18
Oscilações (sem carga)	min. <sup>-1</sup>	12000
Órbitas (sem carga)	min. <sup>-1</sup>	12000
Superfície de base para lixadora	mm <sup>2</sup>	12660
Peso	kg	1,02

FMC687L		
Tensão	V <sub>cc</sub>	18
Capacidade	Ah	2,0
Tipo		1
Carregador 90608625		
Tensão de entrada	V <sub>ca</sub>	230
Tensão de saída	V <sub>cc</sub>	18
Corrente	mA	2000

L<sub>pa</sub> (pressão acústica) 68 dB(A), Imprecisão (K) 3 dB(A)

L<sub>wa</sub> (potência acústica) 79 dB(A), Imprecisão (K) 3 dB(A)

Valores totais de vibração (soma de vetores triaxiais) de acordo com EN 60745:

Valor de emissão de vibração:  
Punho principal (a<sub>h</sub>) 5,98 m/s<sup>2</sup>, imprecisão (K) 1,5 m/s<sup>2</sup> Punho auxiliar (a<sub>h</sub>) 7,3 m/s<sup>2</sup>, imprecisão (K) 1,5 m/s<sup>2</sup>

**Declaração de conformidade CE**  
DIRECTIVA "MÁQUINAS"**Lixadora de movimento rotativo orbital FMCW220**

A Stanley Europe declara que os produtos descritos em "dados técnicos" estão em conformidade com as seguintes normas:

2006/42/CE, EN60745-1:2009+A11:2010,  
EN60745-2-4:2009+A11:2011

Estes produtos estão também em conformidade com a Diretiva 2014/30/UE e 2011/65/UE. Para obter mais informações, contacte a Stanley Fat Max na morada indicada ou consulte o verso do manual.

O signatário é responsável pela compilação do ficheiro técnico e efectua esta declaração em nome da Stanley FatMax.

R. Laverick  
Director de Engenharia  
Stanley Europe, Egide Walschaertsstraat14-18,  
2800 Mechelen, Bélgica  
22/08/2017

**Garantia**

A Stanley Fat Max confia na qualidade dos seus produtos e oferece aos clientes uma garantia de 12 meses a partir da data de compra. Esta garantia é um complemento dos seus direitos estabelecidos por lei, não os prejudicando de forma alguma. A garantia é válida nos Estados-membros da União Europeia e nos países-membros da Zona Europeia de Comércio Livre.

Para accionar a garantia, esta deve estar em conformidade com os termos e condições da Stanley Fat Max e terá de apresentar comprovativos de compra ao vendedor ou a um agente de reparação autorizado.

Os termos e condições da garantia de 1 ano da Stanley Fat Max e a localização do agente de reparação autorizado mais próximo pode ser obtido na Internet em [www.2helpU.com](http://www.2helpU.com) ou contactando uma filial da Stanley Fat Max, cuja morada está indicada neste manual.

Visite o nosso Website [www.stanley.eu/3](http://www.stanley.eu/3) para registar o novo produto Stanley Fat Max e manter-se actualizado relativamente a novos produtos e ofertas especiais.

## Avsedd användning

Din Stanley Fat Max FMCW220 excenterslipmaskin har designats för slipning av trä, metall, plast och målade ytor. Apparaten är avsedd för såväl yrkesanvändare som privatkonsumenter.

## Säkerhetsinstruktioner

### Allmänna säkerhetsanvisningar för elverktyg



**Varning! Läs alla säkerhetsvarningar och instruktioner.** Fel som uppstår till följd av att varningarna och instruktionerna som listas nedan inte följts kan orsaka elstötar, brand och/eller allvarliga kroppsskador.

**Spara alla säkerhetsföreskrifter och anvisningar för framtida bruk.** Begreppet "Elverktyg" i alla varningar som listas nedan avser nätdrivna elverktyg (med nätsladd) och batteridrivna elverktyg (sladdlösa).

#### 1. Säkerhet på arbetsplatsen

- a. **Se till att arbetsområdet är rent och väl belyst.** Belamrade och mörka områden inbjuder till olyckor.
- b. **Använd inte elverktyget i explosionsfarlig omgivning, t.ex. i närheten av brännbara vätskor, gaser eller damm.** Elverktyg skapar gnistor som kan antända damm eller ångor.
- c. **Håll barn och åskådare på avstånd vid arbete med elverktyget.** Distraktioner kan göra att du förlorar kontrollen.

#### 2. Elsäkerhet

- a. **Elverktygets stickkontakt måste passa i eluttaget. Modifiera aldrig kontakten på något sätt. Använd inga adapterkontakter tillsammans med jordade elverktyg.** Icke modifierade kontakter och passande uttag minskar risken för elektrisk stöt.
- b. **Undvik kroppskontakt med jordade ytor, t.ex. rör, värmeelement, spisar och kylskåp.** Det finns en ökad risk för elektrisk stöt om din kropp är jordansluten eller jordad.
- c. **Utsätt inte elverktyget för regn eller våta omgivelningar.** Vatten som kommer in i ett elverktyg ökar risken för elektrisk stöt.
- d. **Misshandla inte nätsladden. Använd inte sladden för att bära eller dra apparaten eller för att dra ut kontakten ur vägguttaget. Håll sladden borta från värme, olja, skarpa kanter eller rörliga delar.** Skadade eller tilltrasslade sladdar ökar risken för elektrisk stöt.
- e. **Använd en förlängningssladd som lämpar sig för utomhusbruk när du arbetar med elverktyg utomhus.** Användning av en sladd som är lämplig för utomhusbruk minskar risken för elektriska stötar.

- f. **Om du måste använda ett elverktyg på en fuktig plats, bör du använda en strömförsörjning med jordfelsbrytare.** Användning av en jordfelsbrytare minskar risken för elektrisk stöt.

#### 3. Personlig säkerhet

- a. **Var uppmärksam, se på vad du gör och använd sunt omdöme när du använder elverktyget. Använd inte ett elverktyg när du är trött eller påverkad av droger, alkohol eller mediciner.** Ett ögonblicks ouppmärksamhet när du arbetar med elektriska verktyg kan leda till allvarliga personskador.
  - b. **Använd personlig skyddsutrustning. Använd alltid skyddsglasögon.** Skyddsutrustning såsom dammfilterskydd, halksäkra säkerhetsskor, skyddshjälm eller hörselskydd som används för lämpliga förhållanden minskar personskador.
  - c. **Förhindra oavsiktlig start. Kontrollera att strömbrytaren står i avstängt läge innan du ansluter verktyget till elnätet eller sätter i batteriet, samt innan du tar upp eller bär verktyget.** Att bära elektriska verktyg med fingret på strömbrytaren eller att koppla strömmen till elektriska verktyg när strömbrytaren är på leder till olyckor.
  - d. **Ta bort alla inställningsverktyg och skruvnycklar innan du startar elverktyget.** Ett verktyg eller en nyckel som har lämnats kvar på en roterande del av det elektriska verktyget kan orsaka kroppsskador.
  - e. **Sträck dig inte för mycket. Ha ordentligt fotfäste och balans hela tiden.** Detta möjliggör bättre kontroll av elverktyget i oväntade situationer.
  - f. **Bär lämpliga kläder. Bär inte lösa kläder eller smycken. Håll hår, beklädnad och handskar borta från delar i rörelse.** Lösa kläder, smycken eller långt hår kan fastna i rörliga delar.
  - g. **Om enheten har dammsugnings- och uppsamlingsutrustning, se till att den är ansluten och används på korrekt sätt.** Användning av dammuppsamling kan minska dammrelaterade risker.
  - h. **Låt inte förtrogenheten som uppstått genom regelbunden användning av verktyg låta dig bli självsäker och ignorera verktygets säkerhetsprinciper.** En oförsiktig handling kan orsaka allvarliga skador under bråkdelen av en sekund.
- #### 4. Användning och skötsel av elverktyg
- a. **Överbelasta inte elverktyget. Använd rätt elverktyg för ditt arbete.** Det korrekta elverktyget gör arbetet bättre och säkrare vid den hastighet för vilket det konstruerades.
  - b. **Använd inte elverktyget om det inte kan startas och stängas av med strömbrytaren.** Ett elverktyg som inte kan kontrolleras med strömbrytaren är farligt och måste repareras.




- c. **Dra stickproppen ur vägguttaget och/eller ta ut batteriet ur elverktyget innan inställningar görs, tillbehör byts ut eller elverktyget ställs undan.** Sådana förebyggande säkerhetsåtgärder minskar risken att oavsiktligt starta elverktyget.
  - d. **Förvara elverktyg utom räckhåll för barn och låt inte personer som är ovana vid elverktyget eller som inte läst denna bruksanvisning använda det.** Elverktyg är farliga i händerna på ovana användare.
  - e. **Underhålla elverktyg.** **Kontrollera att rörliga komponenter fungerar felfritt och inte kärvar, att komponenter inte gått sönder eller skadats och inget annat föreligger som kan påverka elverktygets funktion. Om det är skadat, se till att elverktyget blir reparerat före användning.** Många olyckor orsakas av dåligt underhållna elektriska verktyg.
  - f. **Håll skärande verktyg vassa och rena.** Korrekt underhållna kapverktyg med vassa skär är mindre troliga att de fastnar och är lättare att kontrollera.
  - g. **Använd elverktyg, tillbehör, bits m.m. enligt dessa anvisningar, samtidigt som arbetsförhållandena och det arbete som ska utföras beaktas.** Användning av elverktyget för andra uppgifter än vad som avsetts kan resultera i farliga situationer.
  - h. **Håll handtagen och greppytorna torra, rena och fria från olja och fett.** Hala handtag och greppytor förhindrar säker hantering och kontroll av verktyget i oväntade situationer.
5. **Användning och skötsel av batteridrivet verktyg**
- a. **Ladda endast med den laddare som är specificerad av tillverkaren.** En laddare som passar en batterityp kan medföra brandrisk om den används ihop med ett annat batteri.
  - b. **Använd endast de batteripaket som är speciellt avsedda för elverktyget.** Användning av andra batteripaket kan leda till personsador eller eldsvåda.
  - c. **När batteriet inte används ska du hålla det åtskilt från metallföremål som gem, mynt, nycklar, spik, skruvar och andra små metallföremål som kan orsaka kortslutning mellan batteriets poler.** Kortslutning av batteripolerna kan leda till brännskador eller eldsvåda.
  - d. **Under olämpliga förhållanden kan vätska spruta ut från batteriet. Undvik kontakt. Vid oavsiktlig kontakt, spola med vatten. Om vätskan kommer i kontakt med ögonen, sök också läkarhjälp.** Vätska som sprutar ur batteriet kan orsaka sveda och brännskador.
  - e. **Använd inte batteripaket eller verktyg som är skadade eller modifierade.** Skadade eller modifierade batterier kan uppträda oväntat och det kan resultera i brand, explosion eller skador.

- f. **Utsätt inte batteripaket eller verktyg för brand eller höga temperaturer.** Exponering för brand eller temperaturer över 129 °C kan orsaka en explosion.
  - g. **Följ laddningsinstruktionerna och ladda inte batteripaketet eller verktyget utanför det temperaturområde som specificeras i instruktionerna.** Felaktig laddning eller vid temperaturer utanför den specificerade området kan skada batteriet och öka risken för brand.
6. **Service**
- a. **Låt en kvalificerad reparatör som bara använder identiska reservdelar utföra service på elverktyget.** Detta säkerställer att elverktygets säkerhet bibehålles.
  - b. **Gör aldrig service på skadade batteripaket.** Service på batteripaket skall endast utföras av tillverkaren eller auktoriserad servicepersonal.

### Ytterligare säkerhetsanvisningar för elverktyg



**Varning!** Ytterligare säkerhetsanvisningar för slipmaskiner

- ◆ **Håll verktyget i de isolerade greppytorna vid arbete där det skärande tillbehöret riskerar att komma i kontakt med dolda elledningar.** Kapitillbehör som kommer i kontakt med en strömförande ledning kan göra att exponerade metalldelar hos elverktyget blir strömförande och kan ge användaren en elektrisk stöt
  - ◆ **Använd klämnor eller något annat praktiskt sätt att stödja arbetsstycket vid ett stabilt underlag.** Att hålla arbetet för hand eller mot kroppen är instabilt och kan göra att du förlorar kontrollen.
-  **Varning!** Slipning ger upphov till damm som kan skada den som använder verktyget och andra i närheten vid kontakt eller inandning. Använd en specialkonstruerad ansiktsmask som skyddar mot damm och ångor och se till att personer som vistas inom eller i närheten av arbetsområdet också är skyddade.
- ◆ Var noga med att ta bort allt slipdamm när slipningen har avslutats.
  - ◆ Var speciellt försiktig när du slipar bort färg som eventuellt innehåller bly eller vid slipning av trä- och metallmaterial som kan avge giftigt slipdamm:
    - ◆ Låt aldrig barn eller gravida kvinnor vistas på arbetsplatsen.
    - ◆ Ät, drick och rök inte på arbetsplatsen.
    - ◆ Släng damm och annat avfall på miljösäker plats.
  - ◆ Avsedd användning beskrivs i denna bruksanvisning. Om andra tillbehör eller tillsatser används, eller om någon annan åtgärd än de som rekommenderas i den här bruk-

sanvisningen utförs med verktyget kan personer och/eller egendom ta skada.

### Andras säkerhet

Låt aldrig barn, personer med reducerad sensorisk eller mental kapacitet eller utan erfarenhet eller kunskap eller personer som är obekant med dessa instruktioner använda maskinen, lokala bestämmelser kan begränsa åldern hos operatören.

### Övriga risker

Ytterligare risker som inte finns med i de bifogade säkerhetsanvisningarna kan uppstå när verktyget används. Dessa risker kan uppstå vid felaktig eller långvarig användning, etc. Även om alla relevanta säkerhetsanvisningar följs och säkerhetsanordningar används kan vissa ytterligare risker inte undvikas. Dessa omfattar:

- ◆ Skador orsakade av att roterande/rörliga delar vidrörs.
- ◆ Skador som uppstår vid byte av delar, blad eller tillbehör.
- ◆ Skador som orsakas av långvarig användning av ett verktyg. Se till att regelbundet ta vilopausar när du använder ett verktyg under en längre period.
- ◆ Hörselnedsättning.
- ◆ Hälsorisker orsakade av inandning av damm när redskapet används (exempel: arbete med trä, särskilt ek, bok och MDF)

### Vibrationer

De vibrationsvärden som anges i avsnitten Tekniska data och deklarationen om överensstämmelse har uppmätts i enlighet med en standardtestmetod föreskriven i EN60745 och kan användas för jämförelse med andra verktyg. Det angivna vibrationsvärdet kan även användas för en preliminär bedömning av exponeringen.

**Varning!** Vibrationsvärdet under faktisk användning av elverktyget kan skilja sig från det uppgivna värdet beroende på hur verktyget används. Vibrationsnivån kan överstiga den uppgivna nivån.

Vid uppskattningar av exponering för vibrationer i syfte att bedöma vilka säkerhetsåtgärder som är nödvändiga enligt 2002/44/EG för att skydda personer som regelbundet använder elverktyg i arbetet ska man utgå från de faktiska omständigheter under vilka elverktyget används och sättet på vilket det används. Bedömningen ska även ta hänsyn till alla moment i arbetscykeln, t.ex. när verktyget är avstängt och när det går på tomgång såväl som när det faktiskt används.

### Etiketter på verktyget

Följande varningssymboler finns på verktyget, tillsammans med datumkoden:



**Varning!** Läs bruksanvisningen före användning för att minska risken för personskador.

### Ytterligare säkerhetsinstruktioner för batterier och laddare Batterier

- ◆ Försök aldrig öppna batteriet.
- ◆ Utsätt inte batteriet för vatten.
- ◆ Förvara inte på platser där temperaturen kan bli högre än 40 °C.
- ◆ Ladda endast vid temperaturer mellan 10 °C och 40 °C.
- ◆ Ladda endast med hjälp av laddare som medföljer verktyget.
- ◆ Följ instruktionerna som anges i avsnittet "Skydda miljön" när du kastar batterierna.

### Laddare

- ◆ Använd endast laddaren från BLACK+DECKER för att ladda batteriet i det redskap som laddaren levererades med. Andra batterier kan spricka och orsaka personskador och andra skador.
- ◆ Försök aldrig ladda batterier som inte är uppladdningsbara.
- ◆ Byt defekta sladdar omgående.
- ◆ Utsätt inte laddaren för vatten.
- ◆ Öppna inte laddaren.
- ◆ Gör ingen åverkan på laddaren.



Laddaren är endast avsedd för inomhusbruk.



Läs bruksanvisningen före användning.

### Elsäkerhet



Eftersom laddaren är dubbelisolerad behövs ingen jordledare. Kontrollera alltid att nätspänningen överensstämmer med spänningen på typskylten. Försök aldrig byta ut laddaren mot en vanlig nätkontakt.

- ◆ Om nätsladden är skadad måste den bytas ut av tillverkaren eller ett auktoriserat BLACK+DECKER-center för att undvika farliga situationer.

### Funktioner

Detta verktyg har några eller samtliga av följande funktioner.

1. Handtag
2. Strömbrytare
3. Slipdyna
4. Batteri
5. Dammutsugningsutgång
6. Laddare

### Laddningsprocedur (bild A)

Stanley FatMax-laddare är utformade för att ladda Stanley FatMax-batteripaket.

- ◆ Koppla in laddaren (6) i lämpligt uttag innan batteripaketet (4) sätts i.

- ◆ Sätt i batteripaketet (4) i laddaren (6) på det sätt som bild A visar.
- ◆ Lysdioden (6a) blinkar vilket indikerar att batteriet laddas.
- ◆ När laddningen är klar indikeras detta av att lysdioden (6a) lyser kontinuerligt. Batteriet är fulladdat och kan nu användas eller lämnas i laddaren.

**Notera:** Ladda urladdade batterier så snart som möjligt efter användning, i annat fall kan batterilivslängden minska betydligt. För att uppnå maximal batterilivslängd bör du inte ladda ur batteriet helt och hållet.

Vi rekommenderar att du laddar batterierna efter varje användning.

### Lämna batteriet i laddaren

Laddaren (6) och batteripaketet (4) kan vara ansluten till vägguttaget hur länge som helst när indikatorn lyser. Laddaren ser till att batteriet hålls fräscht och fulladdat.

### Viktiga anmärkningar gällande laddning

- ◆ Längsta livslängd och bästa prestanda uppnås om batteripaketet laddas då lufttemperaturen är mellan 18 °C och 24 °C. Ladda INTE batteripaketet i lufttemperaturer under +4,5 °C eller över +40,5 °C. Detta är viktigt eftersom det förhindrar allvarlig skada på batteripaketet.
- ◆ Laddaren och batteripaketet kan bli för varma att vidröra under laddningen. Detta är normalt och indikerar inte något problem. För att möjliggöra kylning av batteripaketet, undvik att placera laddaren eller batteripaketet på en varm plats såsom i ett metallskjul eller i en oisolerad vagn.
- ◆ Om batteripaketet inte laddar korrekt:
  - ◆ Kontrollera eluttaget genom att ansluta en lampa eller någon annan apparat.
  - ◆ Kontrollera om uttaget är anslutet till en strömbrytare som stänger av strömmen när du släcker ljuset.
  - ◆ Flytta laddaren och batteripaketet till en plats där den omgivande temperaturen är ungefär 18 °C- 24 °C.
  - ◆ Om laddningsproblemen kvarstår, lämna verktyget, batteripaketet och laddaren till ditt lokala servicecenter.
- ◆ Batteripaketet måste laddas när de inte längre kan producera tillräckligt med energi för jobb som enkelt utfördes tidigare. FORTSÄTT INTE att använda det under dessa förhållanden. Följ laddningsproceduren. Du kan också ladda ett delvis använt paket när du så önskar utan att det har någon negativ effekt på batteripaketet.
- ◆ Främmande föremål som är ledande såsom, men inte begränsat till, stålull, aluminiumfolie eller ansamling av metallpartiklar bör hållas borta från laddningshållrummet. Koppla alltid ifrån laddaren från eluttaget när det inte finns något batteripaket i facket. Koppla ifrån laddaren vid rengöring.
- ◆ Frys inte eller sänk ned laddaren i vatten eller annan vätska.

**Varning!** Låt ingen vätska komma in i laddaren. Försök aldrig att öppna batteripaketet av någon anledning. Om plasthöljet på batteripaketet går sönder eller spricker, lämna det till ett servicecenter för återvinning.

### Laddardiagnostik (fig. B)

Se indikatorerna i bild B för laddningsstatus för batteripaketet.

### Dåligt batteri

Om du ser ett blinkmönster för dåligt batteri, fortsätt då inte att ladda batteriet. Returnera det till ett servicecenter eller lämna det till batteriinsamlingen.

### Varm/kall fördröjning

När laddaren upptäcker ett batteripaket som är för hett eller för kallt, kommer den automatiskt att starta en varm/kall fördröjning och avbryta laddningen tills batteriet har nått en lämplig temperatur. Laddaren växlar sedan automatiskt till laddningsläge. Denna funktion garanterar maximal batteripaketets livslängd. Ett kallt batteri kommer att ladda med en lägre hastighet jämfört med ett varmt batteripaket. Paketet kommer att laddas med en lägre hastighet genom hela laddningscykeln och kommer inte att återgå till maximal laddningshastighet även om batteriet blir varmt.

### Montering och borttagning av batteripaketet från verktyget Installera batteripaket (bild C)

- ◆ Sätt in batteriet (4) i verktyget tills ett hörbart klick hörs (bild C)
- ◆ Se till att batteripaketet sitter helt på plats och är låst i positionen.

### Ta bort batteripaketet (fig D)

- ◆ Tryck ned batterilåsknappen (7) såsom visas i bild D och dra bort batteripaketet (4) från verktyget.

### Fästa slipskivor med kardborrefäste (bild E)

För bästa resultat använd Stanley FatMax tillbehör.

- ◆ Våra slipsmaskiner är designade för användning med meshkarbid sandpapper eller med standardsandpapper med dammutsugningsmönstret med åtta hål.
- ◆ För att fästa slipskivan (8), centrera den noga över slipdynan (3) se till att hålen i skivan passar mot hålen i slipdynan och tryck fast skivan.
- ◆ Kardborrefästsystemet för slipskivan kan lätt tas bort genom att det dras av. Det kan återanvändas om så önskas.

### Användning

**Varning!** Låt verktyget arbeta i sin egen takt. Överbelasta inte.

### Slå på och av (bild F)

- ◆ Slå på verktyget genom att trycka strömbrytaren (2) framåt till läge I.
- ◆ Frys av verktyget genom att trycka strömbrytaren (2) bakåt till läge O.

## Drift

Ta tag i slipmaskinen såsom visas i bild G och slå på den. Flytta den i långa och svepande rörelser över ytan, låt den göra arbetet.

Att trycka ned verktyget under slipningen minskar sliphastigheten och ger en sämre finishkvalitet.

Kontrollera arbetet ofta. Slipmaskinen kan ta bort material snabbt med grovt slippapper.

## Dammuppsamling

**Varning!** Uppsamlat slipdamm från slipyntans beläggning (polyuretan, linolja etc.) kan självantända orsaka brand. För att minska risken, följ slipmaskinens manual och tillverkaren av beläggningens instruktioner noga.

## Ansluta en dammsugare (bild H)

- ◆ Sätt in dammsugarsslängen (9) i dammuppsugningshålet (5).

## Underhåll

Detta verktyg har tillverkats för att fungera under lång tid med ett minimum av underhåll. Kontinuerlig tillfredsställande drift beror på ordentlig verktygsvård och regelbunden rengöring.

**Varning!** Innan något underhåll utförs måste verktyget stängas av och sladden dras ut ur vägguttaget.

- ◆ Rengör regelbundet ventilationsöppningarna i verktyget med en mjuk borste eller torr trasa.
- ◆ Rengör motorhöljet regelbundet med en fuktig trasa. Använd aldrig något slipande eller lösningsmedelsbaserat rengöringsmedel.

## Skydda miljön



Separat insamling. Produkter och batterier som är markerade med denna symbol får inte kastas i de vanliga hushållssoporna

Produkter och batterier innehåller material som kan återanvändas eller återvinnas för att minska behovet av råmaterial. Återvinn elektriska produkter och batterier enligt lokala bestämmelser. Närmare information finns tillgänglig på [www.2helpU.com](http://www.2helpU.com)

## Tekniska data

FMCW220		
Inspänning	V <sub>DC</sub>	18
Svängningar (obelastad)	min <sup>-1</sup>	12000
Varvtal (obelastad)	min <sup>-1</sup>	12000
Slipbasyta	mm <sup>2</sup>	12660
Vikt	kg	1.02

Batteri		FMC687L
Spänning	V <sub>DC</sub>	18
Kapacitet	Ah	2.0
Typ		1
Laddare		90608625
Inspänning	V <sub>AC</sub>	230
utspänning	V <sub>DC</sub>	18
Strömstyrka	mA	2000

L <sub>pa</sub> (ljudnivå) 68 dB(A), osäkerhet (K) 3 dB(A)
L <sub>WA</sub> (ljudeffekt) 79 dB(A), osäkerhet (K) 3 dB(A)
Totala vibrationsvärden (vektorsumman av tre axlar) enligt EN 60745:
Vibrationsemissionsvärde: Huvudhandtag (a <sub>h</sub> ) 5.98 m/s <sup>2</sup> , osäkerhet (K) 1.5 m/s <sup>2</sup> Extra handtag (a <sub>e</sub> ) 7.3 m/s <sup>2</sup> , osäkerhet (K) 1.5 m/s <sup>2</sup>

## EG-försäkran om överensstämmelse

MASKINDIREKTIVET



### FMCW220 excenterslipmaskin

Stanley Europe garanterar att produkterna som beskrivs under "tekniska data" uppfyller:

2006/42/EG, EN60745-1:2009+A11:2010

EN60745-2-4:2009+A11:2011

De här produkterna överensstämmer även med direktiven 2014/30/EU och 2011/65/EU. För ytterligare information, kontakta Stanley Europe på följande adress eller se slutet av bruksanvisningen.

Undertecknad är ansvarig för sammanställningen av tekniska data och gör denna försäkran för Stanley FatMax.

R. Laverick

Director of Engineering

Stanley Europe, Egide Walschaertsstraat14-18,  
2800 Mechelen, Belgien

22/08/2017

## Garanti

Stanley Fat Max är säkra på kvaliteten hos denna produkt och erbjuder kunder 12 månaders garanti från inköpsdatumet. Garantin gäller utöver konsumentens rättigheter enligt lag och påverkar inte dessa. Garantin är giltig i de områden som tillhör medlemsstaterna i Europeiska unionen och det europeiska frihandelsområdet.

För yrkande under garantin måste yrkandet vara in enlighet med Stanley Fat Max villkor och du kommer att behöva skicka in bevis på köpet till försäljaren eller en auktoriserad reparatör.

Villkoren for Stanley Fat Max ettåriga garanti och var du hittar din närmaste auktoriserade reparatör kan erhållas på internet på [www.2helpU.com](http://www.2helpU.com), eller genom att kontakta ditt lokala Stanley Fat Max kontor på adressen som angetts i denna bruksanvisning.

Besök vår webbplats [www.stanley.eu/3](http://www.stanley.eu/3) för att registrera din nya Stanley Fat Max produkt samt för att få information om nya produkter och specialerbjudanden.

## NORSK

(Oversettelse av de opprinnelige instruksjonene)

## Bruksområde

Stanley Fat Max FMCW220 roterende sandsliper er utviklet for sliping av treverk, metall, plast og malte overflater. Dette apparatet er tiltenkt både fagarbeidere og private brukere.

## Sikkerhetsinstruksjoner

### Generelle sikkerhetsadvarsler for elektroverktøy



**Advarsel! Les alle sikkerhetsadvarsler og alle instruksjoner.** Hvis advarslene og anvisningene nedenfor ikke overholdes, kan det medføre elektrisk støt, brann og/eller alvorlige personskader.

**Ta vare på alle advarsler og instruksjoner for fremtidig bruk.** Uttrykket "elektroverktøy" i alle advarslene nedenfor gjelder for strømdrevne elektroverktøy (med ledning) og batteridrevne elektroverktøy (uten ledning).

#### 1. Sikkerhet i arbeidsområdet

- Hold arbeidsområdet rent og godt opplyst.** Rotete eller mørke områder er en invitasjon til ulykker.
- Ikke arbeid med elektroverktøy i eksplosjonsfarlige omgivelser, for eksempel der det befinner seg brennbare væsker, gass eller støv.** Elektrisk verktøy skaper gnister som kan antenne støv eller gasser.
- Hold barn og andre personer unna når du bruker et elektroverktøy.** Distraksjoner kan føre til at du mister kontrollen.



#### 2. Elektrisk sikkerhet

- Støpselet til verktøyet må passe til stikkontakten. Aldri modifier støpselet på noen måte. Ikke bruk adapterstøpsler til jordede elektriske verktøy.** Umodifiserte støpsler og stikkontakter som passer vil redusere risikoen for elektrisk sjokk.
- Unngå kroppskontakt med jordede overflater som rør, radiatorer, komfyrer og kjøleskap.** Det er økt risiko for elektrisk støt dersom kroppen din er jordat.

- Ikke utsett elektroverktøy for regn eller fuktighet.** Dersom det kommer vann inn i et elektrisk verktøy vil det øke risikoen for elektrisk sjokk.
- Unngå uforvarlig behandling av ledningen. Bruk aldri ledningen til å bære eller trekke apparatet eller til å trekke ut støpselet. Hold ledningen borte fra varme, olje, skarpe kanter eller bevegelige deler.** Skadede eller innviklede ledninger øker risikoen for elektrisk sjokk.
- Når du bruker et elektroverktøy utendørs, må du bruke en skjøteledning som er egnet til utendørs bruk.** Bruk av en skjøteledning beregnet for utendørs bruk reduserer risikoen for elektrisk støt.
- Hvis du ikke kan unngå å bruke elektroverktøy på et fuktig sted, må du bruke en strømforsyning som er beskyttet med jordfeilbryter.** Bruk av jordfeilbryter (RCD) reduserer risikoen for elektrisk støt.

#### 3. Personikkerhet

- Vær oppmerksom, pass på hva du gjør, og vis fornuft når du arbeider med et elektroverktøy. Ikke bruk et elektrisk verktøy dersom du er trøtt eller er påvirket av medikamenter, narkotika eller alkohol.** Ett øyeblikks uoppmerksomhet under bruk av elektriske verktøy kan føre til alvorlig personskade.
- Bruk personlig verneutstyr. Bruk alltid vernebriller.** Verneutstyr slik som støvmaske, skliskre vernesko, hjelm, eller hørselsvern brukt under passende forhold vil redusere personskader.
- Forhindre utilsiktet start. Kontroller at bryteren står i posisjon "av" før du kobler til strømkilden og/eller batteripakken, og før du tar opp eller bærer verktøyet.** Å bære elektriske verktøy med fingeren på bryteren eller å sette inn støpselet mens elektriske verktøy har bryteren på øker faren for ulykker.
- Fjern eventuelt innstillingsverktøy eller skruverktøy før du slår på elektroverktøyet.** Et skruverktøy eller en nøkkel som fortsatt er festet til en roterende del av elektroverktøyet, kan føre til personskade.
- Ikke strekk deg for langt. Ha godt fotfeste og stå støtt hele tiden.** Dette fører til at du har bedre kontroll over det elektriske verktøyet ved uventede situasjoner.
- Bruk egnede klær. Ikke ha på deg løstsittende klær eller smykker. Hold hår, antrekk og smykker borte fra bevegelige deler.** Løstsittende klær, smykker og langt hår kan bli fanget opp av bevegelige deler.
- Hvis det kan monteres støvavsug- og oppsamlingsinnretninger, må du forvise deg om at disse er tilkoblet og brukes på riktig måte.** Bruk av støvopsamlere kan redusere støvrelaterte farer.
- Ikke la erfaring med hyppig bruk av verktøy la deg bli likegyldig og ignorere verktøyet sikkerhetsregler.** En uforståelig handling kan føre til alvorlig personskade på brøkdelen av et sekund.

- 4. Bruk og behandling av elektroverktøy**
- Ikke bruk makt på elektroverktøyet. Bruk det elektriske verktøyet som situasjonen krever.** Det riktige elektriske verktøyet vil gjøre jobben bedre og tryggere ved den hastigheten det ble konstruert for.
  - Ikke bruk elektroverktøyet hvis du ikke kan slå det på og av med bryteren.** Ethvert elektrisk verktøy som ikke kan kontrolleres med bryteren er farlig og må repareres.
  - Trekk støpselet ut av stikkontakten og/eller koble fra batteripakken på elektroverktøyet før du utfører innstillinger, bytter tilbehør eller legger elektroverktøyet bort for lagring.** Slike preventive sikkerhetsforanstaltninger reduserer risikoen for å starte det elektriske verktøyet ved et uhell.
  - Elektroverktøy som ikke er i bruk, må oppbevares utilgjengelig for barn. Ikke la verktøyet bli brukt av personer som ikke er fortrolige med det, eller som ikke kjenner disse instruksjonene.** Elektriske verktøy er farlige i hendene på utrenede brukere.
  - Sørg for vedlikehold av elektroverktøy.** Undersøk om bevegelige deler er feiljustert eller blokkert, om deler er skadet, og om det er andre forhold som kan påvirke elektroverktøyets funksjon. Dersom det er skadet, få verktøyet reparert før neste bruk. Mange ulykker forårsakes av dårlig vedlikeholdte verktøy.
  - Hold skjæreverktøy skarpe og rene.** Godt vedlikeholdte skjæreverktøy med skarpe skjærekanten setter seg mindre sannsynlig fast og er lettere å kontrollere.
  - Bruk elektroverktøy, tilbehør, bits osv. i henhold til disse instruksjonene. Ta hensyn til arbeidsforholdene og arbeidet som skal utføres.** Bruk av det elektriske verktøyet for oppgaver som er forskjellige fra de som er tiltenkt kan føre til en farlig situasjon.
  - Hold håndtakene og gripeflatene tørre, rene og frie for olje og fett.** Glatte håndtak og gripeflater forhindrer trygg håndtering og kontroll av verktøyet i uventede situasjoner.
- 5. Bruk og stell av batteriverktøy**
- Ladningen skal bare skje med den laderen som produsenten har spesifisert.**  
En lader som passer for en type batteripakke kan føre til risiko for brann dersom den brukes på en annen batteripakke.
  - Bruk elektroverktøy bare sammen med spesifikt angitte batteripakker.** Bruk av andre batteripakker kan føre til risiko for personskade og brann.
  - Når batteripakken ikke er i bruk, må du oppbevare den atskilt fra andre metallgjenstander som binders, mynter, nøkler, spiker, skruer eller andre små metallgjenstander som kan opprette en forbindelse fra en terminal til en annen.** Kortslutning av batteripolene mot hverandre kan føre til brannskader eller brann.
  - Ved feilaktig bruk kan det komme væske ut av batteriet, unngå kontakt med den. Dersom du kommer i kontakt med den, skyll av med vann. Dersom du får væsken i øynene, søk legehjelp.** Væske som kommer ut av batteriet kan føre til irritasjon eller brannskader.
  - Batteripakke eller verktøy som er skadet eller modifisert skal ikke brukes.** Batterier som er skadet eller modifisert kan ha uventet oppførsel og føre til brann, eksplosjon eller personskader.
  - Batteripakken skal ikke utsettes for brann eller for høy temperatur.** Eksponering for brann eller temperaturer over 130 °C (265 °F) kan føre til eksplosjon.
  - Følg alle ladeinstruksjoner og ikke lade batteripakken eller verktøyet utenfor temperaturområdet som angitt i bruksanvisningen.** Feil lading eller ved temperaturer utenfor det angitt området kan skade batteriet og øke faren for brann.
- 6. Service**
- Elektroverktøyet skal repareres av kvalifisert personell og bare med originale reservedeler.** Dette vil sikre at verktøyets sikkerhet blir ivarettatt.
  - Skadede batteripakker skal aldri repareres.** Service på batteripakker skal kun utføres av produsenten eller autoriserte serviceverksteder.
- Ytterligere sikkerhetsadvarsler for elektroverktøy**
-  **Advarsel!** Ekstra sikkerhetsvarsler for slipe-maskiner
- ◆ **Hold elektroverktøyet i de isolerte håndtakene når du utfører et arbeid der skjæretilbehøret kan komme i kontakt med skjulte ledninger.** Sandpussing av en strømførende ledning kan føre til at eksponerte metall-deler på elektroverktøyet blir strømførende, og kan gi operatøren støt
  - ◆ **Bruk tvinger eller annen praktisk måte å sikre og holde arbeidsstykket på et stabilt underlag.** Å holde arbeidsstykket i hendene eller mot kroppen er ustabil og kan føre til at du mister kontroll.
-  **Advarsel!** Kontakt med eller innånding av støv som oppstår ved pussing, kan være helseskadelig for brukeren og eventuelle personer i nærheten. Bruk en støvmaske som er spesielt utformet for å beskytte mot støv og damp/gass, og pass på at personer som er i eller kommer inn i arbeidsområdet, også er beskyttet.
- ◆ Fjern alt støv grundig etter sliping.
  - ◆ Vær ekstra forsiktig når du pusser maling som kan inneholde bly, eller metall som kan avgi giftig støv:
    - ◆ Ikke la barn eller gravide komme inn der du arbeider.



- ◆ Ikke spis, drikk eller røyk der du arbeider.
- ◆ Kvitt deg med støvpartikler eller annet avfall på en miljøvennlig måte.
- ◆ Bruksområdet er beskrevet i denne bruksanvisningen. Hvis du bruker annet tilbehør, kobler til annet utstyr eller bruker dette produktet til andre oppgaver enn det som er anbefalt i denne håndboken, kan det medføre fare for personskader og/eller skade på eiendom.

## Andre personers sikkerhet

La aldri barn eller personer med reduserte fysiske, sensoriske eller mentale ferdigheter eller med manglende erfaring eller kunnskap, eller personer som ikke kjenner bruksanvisningen bruke denne maskinen. Lokale lover og regler kan gi begrensninger for brukerens alder.

## Andre risikoer

Når verktøyet brukes, kan det oppstå ytterligere risikoer som kanskje ikke er beskrevet i de medfølgende sikkerhetsadvarslene. Disse risikoene kan bli forårsaket av feil bruk, langvarig bruk osv.

Selv om de relevante sikkerhetsbestemmelsene blir fulgt, og sikkerhetstiltakene blir gjennomført, kan visse gjenværende risikoer ikke unngås. Disse inkluderer:

- ◆ Personskader som forårsakes av berøring av en roterende/bevegelig del.
- ◆ Personskader som forårsakes av at en del, et blad eller tilbehør endres.
- ◆ Personskader som forårsakes av langvarig bruk av et verktøy. Når du bruker et verktøy i lange perioder, må du sørge for å ta regelmessige pauser.
- ◆ Hørselskader.
- ◆ Helsefarer som skyldes innånding av støv som dannes når du bruker verktøyet (for eksempel under arbeid med tre, spesielt eik, bøk og MDF.)

## Vibrasjon

Vibrasjonsemisjonsverdien som er angitt under tekniske data og samsvarserklæring, er blitt målt i henhold til en standard testmetode som er angitt i EN60745, og kan brukes til å sammenligne et verktøy med et annet. Den oppgitte vibrasjonsemisjonsverdien kan også brukes til en foreløpig vurdering av eksponering.

**Advarsel!** Vibrasjonsemisjonsverdien under faktisk bruk av elektroverktøyet kan avvike fra den oppgitte verdien avhengig av måten verktøyet blir brukt på. Vibrasjonsnivået kan øke over nivået som er oppgitt.

Når det vurderes vibrasjonseksponering for å avgjøre hvilke sikkerhetstiltak som kreves ifølge 2002/44/EF, for å beskytte personer som bruker elektroverktøy regelmessig til arbeidsformål, skal det, når vibrasjonseksponeringen anslås, tas hensyn til de faktiske bruksforholdene og måten verktøyet

blir brukt på. Dette inkluderer å ta hensyn til alle deler av brukssyklusen, for eksempel når verktøyet er avslått, når det går på tomgang og når utløseren er trykket inn.

## Etiketter på verktøyet

Følgende symboler vises på verktøyet sammen med datokoden:



**Advarsel!** Brukeren må lese håndboken for å redusere risikoen for personskade.

## Ytterligere sikkerhetsinstruksjoner for batterier og ladere Batterier

- ◆ Forsøk aldri å åpne av noen årsak.
- ◆ Ikke utsett batteriet for vann.
- ◆ Ikke oppbevar det på steder hvor temperaturen kan komme over 40 °C.
- ◆ Skal bare lades ved omgivelsestemperaturer mellom 10 °C og 40 °C.
- ◆ Bruk bare laderen som følger med apparatet.
- ◆ Følg instruksjonene i avsnittet «Miljøvern» når du skal kaste batterier.

## Ladere

- ◆ Bruk bare BLACK+DECKER-laderen til å lade batteriet i apparatet som laderen ble levert sammen med. Andre batterier kan sprekke og føre til personskade og materiell skade.
- ◆ Prøv aldri å lade ikke-oppladbare batterier.
- ◆ Skift ut defekte ledninger umiddelbart.
- ◆ Ikke utsett laderen for vann.
- ◆ Ikke åpne laderen.
- ◆ Ikke stikk gjenstander eller fingre inn i laderen.



Laderen er bare beregnet for innendørs bruk.



Les denne håndboken før bruk.

## Elektrisk sikkerhet



Denne laderen er dobbeltisolert. Jording er derfor ikke nødvendig. Kontroller alltid at nettspenningen er i overensstemmelse med spenningen på typeskiltet. Ikke skift ut laderen med et vanlig netttøpsel.

- ◆ Hvis strømledningen blir skadet, må den byttes av produsenten eller et autorisert BLACK+DECKER-service-senter for å unngå fare.

## Funksjoner

Dette verktøyet har noen av eller alle følgende egenskaper.

1. Håndtak
2. Av/på-knapp
3. Slipe-pad
4. Batteri
5. Støvsugeruttak
6. Lader

## Ladeprosedyre (Fig. A)

Stanley Fat Max laderen er utviklet for å lade Stanley Fat Max batteripakker.

- ◆ Plugg inn laderen (6) i en passende stikkontakt før du setter inn batteripakken (4).
- ◆ Sett batteripakken (4) inn i laderen (6) som vist i figur A.
- ◆ LED-lyset (6a) blinker for å varsle om at batteriet lades.
- ◆ Fullført lading vises ved at den grønne LED-en (6a) er på kontinuerlig. Pakken er da fullt oppladet og kan brukes, eller den kan bli stående i laderen.

**Merk:** Lad opp utladede batterier så fort som mulig etter bruk, ellers vil batteriets levetid forringes. For lengst batterilevetid, ikke lad ut batteriet helt.

Det anbefales at du lader batteriet etter hver bruk.

## La batteriet være i laderen

Laderen (6) og batteripakken (4) kan forbli tilkoblet med lysende LED-lys i ubegrenset tid. Laderen holder batteripakken klar og fulladet.

## Viktige merknader om lading

- ◆ Lang levetid og best ytelse oppnås dersom batteripakken lades med lufttemperatur mellom 65°F og 75°F (18°-24°C). IKKE lade batteripakken med lufttemperatur under +40°F (+4,5°C) eller over +105°F (+40,5°C). Dette er viktig og vil forhindre alvorlig skade på batteripakken.
- ◆ Laderen og batteripakken kan være varme å ta på under lading. Dette er normalt og er ikke et tegn på et problem. For å muliggjøre bedre kjøling av batteripakken etter bruk, unngå å oppbevare laderen i varme omgivelser slik som et metallskur eller en uisolert trailer.
- ◆ Hvis batteripakken ikke lader skikkelig:
  - ◆ Kontroller strømmen i kontakten ved å sette inn en lampe eller et annet apparat.
  - ◆ Kontroller om stikkkontakten er koblet til en lysbryter som slår av strømmen når du slår av lyset.
  - ◆ Flytt laderen og batteripakken til et sted hvor omgivelsestemperaturen er omtrent 65°F–75°F (18°–24°C).
  - ◆ Hvis ladeproblemene vedvarer, ta verktøyet, batteripakken og laderen til ditt lokale servicesenter.
- ◆ Denne batteripakken må lades opp når den slutter å gi nok strøm til jobber som ble utført lett tidligere. I så fall,

IKKE fortsett å bruke verktøyet. Følg ladeprosedyren. Du kan også lade opp en halvutladet pakke når som helst uten at det har noen effekt på batteripakken.

- ◆ Fremmedlegemer som kan lede strøm, inkludert, men ikke begrenset til stålull, aluminiumsfolie eller annen ansamling av metalliske partikler, må holdes unna åpningene i laderen. Kople alltid laderen fra strømtilførselen når det ikke er en batteripakke i hulrommet. Kople fra laderen før rengjøring.
  - ◆ IKKE sprut på eller senke ned i vann eller andre væsker.
- Advarsel!** Ikke la væske komme inn i laderen. Forsøk aldri å åpne batteripakken av noen årsak. Dersom plasthuset på batteripakken knekker eller får sprekker, send den til et servicesenter for avhending.

## Ladediagnostikk (figur B)

Se indikatorene i figur B for ladestatus av batteripakken.

## Dårlig batteri

Hvis du ser dette blinkemønsteret for dårlig batteri, skal du ikke fortsette å lade batteriet. Returner det til et servicesenter eller et oppsamlingssted for resirkulering.

## Ventetid for varm/kald pakke

Dersom laderen detekterer et batteripakke som er for varmt eller for kaldt, vil den automatisk starte en "varm/kald pakke forsinkelse", og venter med å lade til batteripakken har passende temperatur. Laderen vil deretter automatisk skifte til lademodus for pakken. Denne funksjonen sikrer maksimal levetid på batteripakken. En kald batteripakke vil lade med lavere hastighet enn en varm batteripakke. Batteripakken vil lade langsommere gjennom hele ladesyklusen, og vil ikke gå tilbake til maksimal ladehastighet selv om batteriet blir varmt.

## Sette inn og ta av batteripakke på verktøyet Sette inn batteripakke (fig. C)

- ◆ Sett batteriet (4) inn i apparatet til du hører et klikk når det går i lås (Fig. C)
- ◆ Pass på at batteripakken sitter godt og er låst på plass.

## Ta ut batteripakken (figur D)

- ◆ Trykk på batteriutløserknappen (7) som vist på figur D og dra batteripakken (4) ut av verktøyet.

## Feste sandpapirskiver (fig.E)

For best resultat må du bruke bruk Stanley Fat Max-tilbehør.

- ◆ Sandpapirsliperen er designet for bruk enten med sandpapir av gitter-karbid eller med standard sandpapir med 8-hulls støvsugermønster.
- ◆ For å sette på sandpapirskiven (8), sentrer den nøyaktig over pusseputen (3) og pass på at hullene i skiven passer overens med hullene i puten, og frykk skiven godt på plass.

- ◆ Sandpapierskive med borrelås kan enkelt tas av, trekk den rett av. Den kan gjenbrukes om ønskelig.

## Bruk

**Advarsel!** La verktøyet arbeide i sin egen hastighet. Må ikke overbelastes.

## Slå på og av (figur F)

- ◆ Når du skal slå verktøyet på, skyver du strømbryteren (2) fremover til posisjon "I".
- ◆ Når du skal slå verktøyet av, skyver du strømbryteren (2) til posisjon "O".

## Bruk

Grip sandpappersliperen som vist i figur G og slå den PÅ. Beveg sliperen i lange, flytende bevegelser langs overflaten, slik at sliperen gjør arbeidet.

Ved å trykke ned verktøyet under sliping vil du faktisk bremse slipehastigheten og få dårligere sluttresultat.

Kontroller arbeidet ofte. Sandpappersliperen kan fjerne materiale raskt ved bruk av grovt papir.

## Støvsamling

**Advarsel!** Oppsamlet sandstøv fra slipte overflatebelegg (polyuretan, linolje osv.) kan være selvantennende og føre til brann. For å redusere risikoen må du følge bruksanvisningen for slipemaskinen og produsenten av overflatebelegget nøye.

## Koble til en støvsuger (figur H)

- ◆ Sett støvsugerslangen (9) inn i støvuttaket (5).

## Vedlikehold

Verktøyet er konstruert for å være i drift over lengre tid med et minimum av vedlikehold. For at den skal fungere tilfredsstillende over tid, er det viktig å sørge for riktig stell av verktøyet og regelmessig renhold.

**Advarsel!** Før vedlikehold må verktøyet slås av og støpselet trekkes ut.

- ◆ Rengjør ventilasjonsåpningene i verktøyet jevnlig med en myk børste eller tørr klut.
- ◆ Rengjør motorhuset regelmessig med en fuktig klut. Ikke bruk slipende eller løsemiddelbaserte rengjøringsmidler.

## Miljøvern



Separat avfallshåndtering. Produkter og batterier merket med dette symbolet skal ikke kastes i vanlig husholdningsavfall

Produkter og batterier inneholder materialer som kan gjenbrukes eller gjenvinnes for å redusere behovet for nye råmaterialer.

Vennligst lever elektrisk utstyr og batterier til gjenbruk i henhold til lokale regler. Mer informasjon finner du på [www.2helpU.com](http://www.2helpU.com)

## Tekniske data

FMCW220		
Inngangsspenning	$V_{DC}$	18
Svingninger (ubelastet)	$min^{-1}$	12000
Omdreininger (ubelastet)	$min^{-1}$	12000
Slipebaseoverflate	$mm^2$	12660
Vekt	kg	1,02
Batteri FMC687L		
Spenning	$V_{DC}$	18
Kapasitet	Ah	2,0
Type		1
Lader 90608625		
Inngangsspenning	$V_{AC}$	230
utgangsspenning	$V_{DC}$	18
Strøm	mA	2000

$L_{pA}$  (lydtrykk) 68 dB(A), usikkerhet (K) 3 dB(A)

$L_{WA}$  (lydeffekt) 79 dB(A), usikkerhet (K) 3 dB(A)

Totale vibrasjonsverdier (vektorsum fra tre retninger) bestemt i samsvar med EN 60745:

Vibrasjonsemissionsverdi:  
Hovedhåndtak (a<sub>h</sub>) 5,98 m/s<sup>2</sup>, usikkerhet (K) 1,5 m/s<sup>2</sup> Hjelpehåndtak (a<sub>h</sub>) 7,3 m/s<sup>2</sup>, usikkerhet (K) 1,5 m/s<sup>2</sup>

## EU-samsvarserklæring MASKINDIREKTIVET



### FMCW220 roterende sandlipemaskin

Stanley Europe erklærer at disse produktene som er beskrevet under «Tekniske data» er i samsvar med:  
2006/42/EC, EN60745-1:2009+A11:2010,  
EN60745-2-4:2009+A11:2011

Disse produktene er også i samsvar med direktiv 2014/30/EU og 2011/65/EU. Hvis du ønsker mer informasjon, kontakt Stanley Fat Max på følgende adresse, eller se på baksiden av bruksanvisningen.

Undertegnede er ansvarlig for utarbeidelsen av den tekniske dokumentasjonen og gir denne erklæringen på vegne av Stanley Fat Max.

R. Laverick  
Director of Engineering  
Stanley Europe, Egide Walschaertsstraat14-18,  
2800 Mechelen, Belgia

R. Laverick

Director of Engineering

Stanley Europe, Egide Walschaertsstraat14-18,

2800 Mechelen, Belgia

22/08/2017

## Garanti

Stanley Fat Max er trygg på kvaliteten av produktene sine og tilbyr en 12 måneders garanti fra kjøpsdato. Denne garantierklæringen kommer i tillegg til dine lovbestemte rettigheter og er ikke i konflikt med disse. Garantien er gyldig innen områdene tilhørende medlemslandene i den Europeiske Union (EU) og det Europeiske Frihandelsområdet (EFTA).

For å ta garantien i bruk må kravet være i samsvar med kjøpsbetingelsene fra Stanley Fat Max og du må vise kjøpskvittering til forhandleren eller til et autorisert serviceverksted.

Betingelsene for Stanley Fat Max 1 års garanti og adressen til din nærmeste autoriserte serviceverksted kan du finne på internett under [www.2helpU.com](http://www.2helpU.com), eller ved å kontakte ditt lokale Stanley Fat Max kontor, adressen er angitt i denne bruksanvisningen.

Besøk våre nettsider på [www.stanley.eu/3](http://www.stanley.eu/3) for å registrere ditt nye Stanley Fat Max-produkt og for å få informasjon om nye produkter og spesialtilbud.

## Tilsluttet brug

Din Stanley Fat Max FMCW220 roterende slibemaskine er designet til slibning af træ, metal, plastic og malede overflader. Dette apparat er beregnet til erhvervsmæssige brugere og private ikke-erhvervsmæssige brugere.

## Sikkerhedsinstruktioner

### Generelle sikkerhedsadvarsler vedrørende elværktøj



**Advarsel! Læs alle sikkerhedsadvarsler og alle instruktioner.** Hvis nedenstående advarsler og instruktioner ikke følges, er der risiko for elektrisk stød, brand og alvorlige kvæstelser.

**Gem alle advarsler og instruktioner for fremtidig reference.** Begrebet "elværktøj", der benyttes i nedenstående advarsler, henviser til netdrevet elværktøj (med netledning) eller batteridrevet elværktøj (uden netledning).

#### 1. Sikkerhed i arbejdsområdet

- Hold arbejdsområdet rent og ordentligt oplyst.** Rodede eller mørke områder giver anledning til ulykker.
- Brug ikke elværktøj i eksplosive omgivelser, f.eks. hvor der er brændbare væsker, gasser eller støv.** Elværktøj danner gnister, der kan antænde støv eller dampe.

- Hold børn og omkringstående på afstand, når der arbejdes med elværktøj.** Distractioner kan medføre, at du mister kontrollen.

#### 2. Elektricitet og sikkerhed

- Elværktøjets stik skal passe til kontakten. Stikket må aldrig modificeres på nogen måde. Undlad at bruge adapterstik sammen med jordforbundne elektriske værktøj.** Umodificerede stik og dertil passende stikkontakter reducerer risikoen for elektrisk stød.
- Undgå kropskontakt med jordforbundne overflader som f.eks. rør, radiatorer, komfurer og køleskabe.** Der er øget risiko for elektrisk stød, hvis din krop er jordforbundet.
- Udsæt ikke elværktøj for regn, og brug det ikke, hvor omgivelserne er våde.** Hvis der trænger vand ind i et elektrisk værktøj, øges risikoen for elektrisk stød.
- Pas på, at ledningen ikke beskadiges. Bær, træk eller afbryd ikke apparatet vha. opladeren. Hold ledningen borte fra varme, olie, skarpe kanter og bevægelige dele.** Beskadigede eller sammenfiltrede ledninger øger risikoen for elektrisk stød.
- Hvis elværktøj benyttes i det fri, skal der benyttes en forlængerledning, som er godkendt til udendørs brug.** Brug af en ledning, der er egnet til udendørs brug, reducerer risikoen for elektrisk stød.
- Brug en strømkilde med fejlstrømsrelæ, hvis det er nødvendigt at anvende elværktøj på fugtige steder.** Ved at benytte en fejlstrømsafbryder reduceres risikoen for elektrisk stød.

#### 3. Personssikkerhed

- Vær opmærksom, hold øje med, hvad du laver og brug elværktøjet fornuftigt. Betjen ikke værktøjet, hvis du er træt, påvirket af narkotika, alkohol eller medicin.** Et øjeblik uopmærksomhed under anvendelse af et elektrisk værktøj kan forårsage alvorlige kvæstelser.
- Brug personligt beskyttelsesudstyr. Bær altid beskyttelsesbriller.** Sikkerhedsudstyr, såsom støvmaske, skridsikre sikkerhedssko, sikkerhedshjelm eller høreværn, brugt når omstændighederne foreskriver det, reducerer omfanget af personskader.
- Træf forholdsregler, så utilsigtet start ikke er mulig. Kontrollér, at afbryderkontakten står på slukket, inden værktøjet tilsluttes strømkilden og/eller batteriet, samles op eller bæres.** Når elektrisk værktøj bæres med fingeren på kontakten eller tilsluttes, når kontakten er tændt, giver det anledning til ulykker.
- Fjern indstillingsværktøj eller skruenøgle, inden elværktøjet startes.** En skruenøgle eller anden nøgle, der bliver siddende på en roterende del af elektrisk værktøj, kan give anledning til personskade.

- e. **Stræk dig ikke for langt. Hold hele tiden en god fodstilling og balance.** Dette udgør at du har bedre kontrol over det elektriske værktøj, når uventede situationer opstår.
- f. **Brug egnet arbejdstøj. Bær ikke løst tøj eller smykker. Hold dit hår, tøj og handsker væk fra bevægelige dele.** Løstsiddende tøj, smykker eller langt hår kan blive fanget i bevægelige dele.
- g. **Hvis der kan monteres støvudsugnings- og opsamlingsudstyr, skal dette tilsluttes og benyttes korrekt.** Anvendelse af støvopsamlingsudstyr kan begrænse farer forårsaget af støv.
- h. **Lad ikke kendskab fra hyppig brug af værktøjer gøre dig uforsigtig og få dig til at ignorere principperne for værktøjsikkerhed.** En uforsigtig handling kan forårsage alvorlig personskade på en brøkdæl af et sekund.
4. **Brug og vedligeholdelse af elværktøj**
- a. **Overbelast ikke elværktøjet. Brug det værktøj, der er bedst egnet til det arbejde, der skal udføres.** Værktøjet vil klare opgaven bedre og mere sikkert med den ydelse, som det er beregnet til.
- b. **Brug ikke elværktøjet, hvis afbryderkontakten er defekt.** Alt elektrisk værktøj, der ikke kan kontrolleres med kontakten, er farligt og skal repareres.
- c. **Træk stikket ud af stikkontakten og/eller batteriet inden indstilling, tilbehørsudskiftning eller opbevaring af elværktøjet.** Sådanne forebyggende sikkerhedsforanstaltninger mindsker risikoen for, at værktøjet startes utilsigtet.
- d. **Opbevar ubenyttet elværktøj uden for børns rækkevidde. Lad aldrig personer, der ikke er fortrolige med elværktøjet, eller som ikke har læst denne vejledning, benytte maskinen.** El-værktøj er farligt i hænderne på personer, som ikke er instrueret i brugen deraf.
- e. **Elværktøj skal vedligeholdes. Kontroller, om bevægelige dele er skæve og ikke sidder fast, og om delene er brækket eller beskadiget, så elværktøjets funktion påvirkes. Hvis det elektriske værktøj er beskadiget, skal det repareres før brug.** Mange ulykker er forårsaget af dårligt vedligeholdt værktøj.
- f. **Hold skæreværktøj skarpt og rent.** Ordentligt vedligeholdt skæreværktøj med skarpe skærekanter har mindre tilbøjelighed til at binde og er lettere at styre.
- g. **Brug elværktøjet, tilbehøret, indsatsværktøj osv. i overensstemmelse med disse instruktioner under hensyntagen til arbejdsforholdene og arbejdet, der skal udføres med værktøjet.** Brug af elektrisk værktøj til andre opgaver end dem, det er beregnet til, kan resultere i en farlig situation.
- h. **Hold håndtagene og håndtagsfladerne tørre, rene og fri for olie og fedt.** Glatte håndtag og håndtagsflader giver ikke en sikker håndtering og kontrol af værktøjet i uventede situationer.
5. **Brug og pleje af batteriværktøj**
- a. **Genoplad kun med den oplader, som producenten har angivet.** En oplader, der passer til en type batteripakke, kan udgøre en risiko for brand, når den bruges til en anden type.
- b. **Elværktøj må kun bruges med batteripakker, der er beregnet hertil.** Brugen af andre batteripakker kan medføre personskade og brand.
- c. **Når batteripakken ikke er i brug, skal den holdes på afstand af andre metalgenstande, f.eks. papirclips, mønter, nøgler, søm, skruer og andre små metalgenstande, som kan skabe forbindelse mellem de to poler.** Kortslutning af batteriet kan forårsage forbrændinger eller brand.
- d. **Under grove forhold kan væske sive ud fra batteriet; undgå kontakt. Hvis der opstår kontakt ved et uheld, skyl med vand. Hvis væske kommer ind i øjnene, søg omgående lægehjælp.** Væske, der siver ud fra batteriet, kan fremkalde irritationer eller forbrændinger.
- e. **Brug ikke en batteripakke eller et værktøj, der er beskadiget eller modificeret.** Beskadigede eller modificerede batterier kan udvise uforudsigelig adfærd, hvilket kan resultere i brand, eksplosion eller risiko for personskade.
- f. **Udsæt ikke en batteripakke eller et værktøj for ild eller for høj temperatur.** Udsættelse for ild eller temperatur på over 265° F kan forårsage eksplosion.
- g. **Følg alle opladningsanvisninger, og undlad at oplade batteripakken eller værktøjet uden for det temperaturinterval, der er specificeret i instruktionerne.** En forkert opladning eller opladning uden for det specificerede interval kan beskadige batteriet og øge risikoen for brand.
6. **Service**
- a. **Lad kun kvalificerede fagfolk reparere elværktøjet og benyt kun originale reservedele.** Derved sikres det, at værktøjets driftssikkerhed opretholdes.
- b. **Der må aldrig foretages service på beskadigede batteripakker.** Service af batteripakker bør kun udføres af producenten eller autoriserede serviceudbydere.
- Yderligere sikkerhedsadvarsler for elværktøj**



**Advarsel!** Yderligere sikkerhedsadvarsler for slibemaskiner

- ◆ **Hold i elværktøjets isolerede håndtagsflader, hvis der er risiko for, at slibetilbehøret kommer i kontakt med skjulte ledninger.** Hvis slibetilbehøret rammer en strømførende ledning, bliver elværktøjets blotlagte dele strømførende, så brugeren får stød.
- ◆ **Brug klemmer eller en anden praktisk måde på at sikre og understøtte arbejdsemnet til et stabilt underlag.** Hvis du holder fast i arbejdsemnet med din hånd eller krop, vil det være ustabil, og det kan medføre, at du mister kontrollen over det.



**Advarsel!** Kontakt med eller indånding af støvpartikler fra slibearbejde kan udgøre en fare for både brugerens og eventuelle omkringstående helbred. Bær en specielt designet støvmaske til beskyttelse mod støv og røg, og sørg for, at personer, der befinder sig på eller kommer ind på arbejdsområdet, også er beskyttet.

- ◆ Fjern omhyggeligt alt støv efter slibning.
- ◆ Vær især opmærksom ved slibning af maling, som kan være blybaseret, og ved slibning af visse typer træ og metal, som kan frembringe giftigt støv:
  - ◆ Børn og gravide kvinder må ikke betræde arbejdsområdet.
  - ◆ Undgå at spise, drikke og ryge i arbejdsområdet.
  - ◆ Støvpartikler og andet affald skal bortskaffes på en sikker måde.
- ◆ Den tilsigtede anvendelse er beskrevet i denne betjeningsvejledning. Brug af ekstraudstyr eller tilbehør eller udførelse af andre opgaver med dette værktøj end de, der anbefales i denne vejledning, kan medføre risiko for personskade og/eller materiel skade.

## Andres sikkerhed

Lad aldrig børn, personer med nedsatte fysiske, sensoriske eller mentale evner eller manglende erfaring og viden, eller personer der ikke kender disse instruktioner bruge maskinen, den nationale lovgivning kan begrænse operatørens alder.

## Tilbageværende risici

Der kan opstå yderligere, tilbageværende risici under brugen af apparatet, som muligvis ikke behandles i de vedlagte sikkerhedsadvarsler. Disse risici kan opstå pga. forkert anvendelse, langvarig brug etc.

Selv ved overholdelse af relevante sikkerhedsforskrifter og anvendelse af sikkerhedsudstyr kan visse tilbageværende risici ikke undgås. Disse omfatter:

- ◆ Tilskadekomst forårsaget af berøring af roterende/bevægelige dele.
- ◆ Tilskadekomst forårsaget af udskiftning af dele, klinger eller tilbehør.
- ◆ Tilskadekomst forårsaget af langvarig brug af et apparat. Husk at holde pause jævnligt ved brug af et apparat i længere tid.

- ◆ Hørenedsættelse.
- ◆ Sundhedsrisici forårsaget af indånding af støv, der genereres ved brug af dit apparat (eksempel: arbejde med træ, især eg, bøg og MDF.)

## Vibration

De angivne værdier for udsendelse af vibration anført under de tekniske data og overensstemmelseserklæringen er målt i henhold til standardtestmetoden i EN60745 og kan bruges til at sammenligne ét værktøj med et andet. Den angivne vibrationsemissionsværdi kan også bruges som en foreløbig vurdering af eksponeringen.

**Advarsel!** Værdien for vibrationsemission ved faktisk brug af elværktøjet kan afvige fra den angivne værdi afhængig af måden, værktøjet anvendes på. Vibrationsniveauet kan overstige det angivne niveau.

I vurderingen af eksponeringen for vibration med henblik på fastsættelse af sikkerhedsforanstaltninger som krævet i 2002/44/EF til beskyttelse af personer, der jævnligt anvender elværktøj i deres arbejde, skal der tages hensyn til de faktiske betingelser under brugen, og måden værktøjet bruges på, herunder alle arbejdsrytters elementer, f.eks. perioder, hvor værktøjet er slukket, og hvor det kører i tomgang, tillige med startperioderne.

## Mærkater på værktøjet

Værktøjet er forsynet med følgende piktogrammer sammen med en datokode:



**Advarsel!** Brugeren skal læse brugervejledningen for at reducere risikoen for tilskadekomst.

## Yderligere sikkerhedsinstruktioner for batterier og ladere Batterier

- ◆ Forsøg aldrig at åbne den af en eller anden grund.
- ◆ Batteriet må ikke udsættes for fugt.
- ◆ Opbevar ikke batterier på steder, hvor temperaturen kan overstige 40 °C.
- ◆ Foretag kun opladning ved omgivelsestemperaturer mellem 10 °C og 40 °C.
- ◆ Oplad kun ved hjælp af den medfølgende lader.
- ◆ Følg ved bortskaffelse af batterier vejledningen i afsnittet "Miljøbeskyttelse".

## Opladere

- ◆ Brug kun din BLACK+DECKER-lader til at oplade batteriet i det værktøj, som den blev leveret sammen med. Andre batterier kan eksplodere og forårsage kvæstelser og materielle skader.
- ◆ Forsøg aldrig at oplade ikke-genopladelige batterier.
- ◆ Udskift straks defekte ledninger.



- ◆ Opladeren må ikke udsættes for fugt.
- ◆ Opladeren må ikke åbnes.
- ◆ Undersøg ikke opladeren.



Opladeren er kun beregnet til indendørs brug.



Læs brugervejledningen, før værktøjet tages i brug.

## Elektricitet og sikkerhed



Opladeren er dobbelt isoleret. Derfor er en jordledning ikke nødvendig. Kontroller altid, at netspændingen svarer til spændingen på typeskiltet. Forsøg aldrig at erstatte opladerenheden med et almindeligt netstik.

- ◆ Hvis netledningen beskadiges, skal den udskiftes af producenten eller et autoriseret BLACK+DECKER-værksted, så farlige situationer undgås.

## Funktioner

Apparatet har nogle eller alle af de følgende funktioner.

1. Håndtag
2. Afbryderkontakt
3. Slibepude
4. Batteri
5. Støvsamlingsudgang
6. Oplader

## Opladningsprocedure (fig. A)

Stanley Fat Max-ladere er udformet til at oplade Stanley Fat Max-batteripakker.

- ◆ Indsæt opladeren (6) i en passende udgang, før batteripakken indsættes (4).
- ◆ Indsæt batteripakken (4) i opladeren (6) som vist i figur A.
- ◆ LED-lampen (6a) blinker for at vise, at batteriet oplades.
- ◆ Når opladningen er færdig, vil det blive angivet af LED-lampen (6a), som vil lyse konstant. Pakken er fuldt opladet og kan nu anvendes eller kan efterlades i opladeren.

**Bemærk:** Genoplad afladede batterier så hurtigt som muligt efter brug, da batteriets levetid ellers kan blive stærkt formindsket. For længste batterilevetid, aflad ikke batterierne helt.

Opladning af batterierne efter hver brug anbefales.

## Lad batteriet blive siddende i opladeren

Du kan lade batteripakken (4) sidde i laderen (6) med tændt LED, så længe det ønskes. Opladeren holder batteripakken klar og fuldt opladet.

## Vigtige bemærkninger om opladning

- ◆ Den længste levetid og bedste ydeevne kan opnås, hvis batteripakken oplades, når lufttemperaturen er mellem

18°C og 24°C (65°F-75°F). Oplad IKKE batteripakken i en lufttemperatur under +4,5°C (+40°F) eller over +40,5°C (+105°F). Dette er vigtigt og vil forhindre alvorlig beskadigelse af batteripakken.

- ◆ Opladeren og batteripakken kan blive for varm at røre ved under opladning. Dette er normalt og angiver ikke et problem. For at lette køling af batteripakken efter brug, undgå at placere opladeren eller batteripakken i varme omgivelser, som f.eks. i et metalskur eller i en uisoleret trailer.
- ◆ Hvis batteripakken ikke oplades ordentligt:
  - ◆ Kontroller strømstikket ved at tilslutte en lampe eller et andet apparat.
  - ◆ Kontrollér for at se om kontakten er tilsluttet til en lyskontakt, som slår strømmen fra, når du slukker for lyset.
  - ◆ Flyt opladeren og batteripakken til et sted, hvor den omgivende lufttemperatur er ca. 18°C - 24°C (65°F - 75°F).
  - ◆ Hvis der stadig er opladningsproblemer, tag værktøjet, batteripakken og opladeren til dit lokale servicecenter.
- ◆ Batteripakken skal genoplades, når den ikke giver tilstrækkelig strøm til de opgaver, som tidligere let blev udført. FORTSÆT IKKE med at bruge den under disse forhold. Følg opladningsproceduren. Du kan også oplade en delvist brugt pakke, når du ønsker det uden nogen negativ indflydelse på batteripakken.
- ◆ Fremmede materialer af en ledende art som for eksempel, men ikke begrænset til ståluld, aluminiumsfolie eller anden koncentration af metalliske partikler skal holdes på afstand af opladerens huler. Tag altid stikket til opladeren ud fra kontakten, når der ikke er indsat en batteripakke. Tag stikket til opladeren ud før forsøg på at rengøre den.
- ◆ Frys ikke eller nedsenk opladeren i vand eller andre væsker.

**Advarsel!** Lad ikke nogen flydende væsker komme ind i opladeren. Forsøg aldrig at åbne batteripakken. Hvis batteripakkens plastikhus får brud eller revner, returner det til et servicecenter til genbrug.

## Opladerdiagnostik (fig. B)

Se indikatorene i figur B for opladningsstatussen af batteripakken.

## Dårligt batteri

Hvis du ser et dårligt batteriblinkmønster, forsæt ikke med at oplade dette batteri. Returnér det til et servicecenter eller til et indsamlingssted til genbrug.

## Varm/kold pakkeforsinkelse

Når opladeren sporer en batteripakke, der er for varm eller for kold, starter den automatisk en varm/kold pakkeforsinkelse og indstiller opladningen, indtil batteripakken har nået en

passende temperatur. Opladeren skifter derefter automatisk til pakkeopladningsfunktion. Denne funktion sikrer maksimal batteripakkelevetid. En kold batteripakke vil oplade med en lavere hastighed end en varm batteripakke. Pakken vil oplade ved den lavere hastighed gennem hele opladningscyklussen og vil ikke vende tilbage til maksimal opladningshastighed, selvom pakken varmer.

### Indsættelse og udtagning af batteripakken fra værktøjet Sådan installeres batteripakken (fig. C)

- ◆ Indsæt batteriet (4) i værktøjet, indtil der høres et klik (figur. C)
- ◆ Sørg for at batteripakken er helt skubbet ind og låst i position.

### Sådan udtages batteripakken (fig. D)

- ◆ Tryk batteriets udløserknop (7) ned som vist i figur D, og træk batteripakken (4) ud af værktøjet.

### Fastgørelse af krog og kredsslibeskiver (fig. E)

Brug Stanley FatMax-tilbehør for at opnå de bedste resultater.

- ◆ Din slibemaskine er beregnet til brug med enten karbidsandpapir eller med almindeligt sandpapir med det 8-hullede støvudtrækningsmønster.
- ◆ Før at fastgøre slibeskiven (8) skal du forsigtigt placere den over slibepuden (3), mens du sikrer dig, at hullerne i skiven er ud for hullerne i puden, og trykke skiven godt på plads.
- ◆ Krogen og slibeskiven med kredsfastgørelsessystemet kan nemt fjernes ved blot at trække den af. Den kan genbruges som ønsket.

### Anvendelse

**Advarsel!** Lad værktøjet arbejde i dets eget tempo. Det må ikke overbelastes.

### Tænd og sluk (fig. F)

- ◆ Tænd værktøjet ved at holde afbryderkontakten (2) nede ved position "I".
- ◆ Sluk værktøjet ved at holde afbryderkontakten (2) nede ved "O"-position.

### Funktion

Tag fat i slibemaskinen, som vist i figur G, og tænd den. Bevæg den i lange, fejende strøg langs overfladen, og lad den gøre arbejdet.

Hvis du presser værktøjet nedad under slibningen, sænkes fjernelseshastigheden faktisk og giver en overflade af ringere kvalitet.

Kontrollér ofte dit arbejde. Slibemaskinen kan fjerne materiale hurtigt, især med groft papir.

### Støvsopsamling

**Advarsel!** Indsamlet slibestøv fra slibeoverfladelag (polyuretan, linolie osv.) kan antænde sig selv og forårsage brand. For at reducere risikoen bør du følge vejledningen til slibemaskinen samt instruktionerne fra producenten af laget omhyggeligt.

### Tilslutning af en støvsuger (fig. H)

- ◆ Indsæt støvsugerens slange (9) i støvudsugningsudgangen (5).

### Vedligeholdelse

Dette værktøj er beregnet til brug gennem lang tid med et minimum af vedligeholdelse. Vedvarende tilfredsstillende funktion er afhængig af, om apparatet plejes korrekt og rengøres regelmæssigt.

**Advarsel!** Før der udføres vedligeholdelse, skal værktøjet slukkes og stikket trækkes ud.

- ◆ Rengør regelmæssigt værktøjets ventilationshuller med en blød børste eller en tør klud.
- ◆ Rengør med jævne mellemrum motorhuset med en fugtig klud. Der må ikke bruges skuremidler eller opløsningsmidler.

### Miljøbeskyttelse



Særskilt bortskaffelse. Produkter og batterier mærket med dette symbol må ikke bortskaffes sammen med normalt husholdningsaffald

Produkter og batterier indeholder materialer, der kan genvindes eller genbruges og således reducere efterspørgslen efter råvarer.

Genbrug venligst elektriske produkter og batterier i henhold til lokale bestemmelser. Yderligere informationer findes på [www.2helpU.com](http://www.2helpU.com)

### Tekniske data

		FMCW220
Indgangsspænding	$V_{ac}$	18
Svingninger (uden belastning)	$min^{-1}$	12000
Omløb (uden belastning)	$min^{-1}$	12000
Slibefodens overflade	$mm^2$	12660
Vægt	kg	1.02
Batteri		FMC687L
Spænding	$V_{dc}$	18
Kapacitet	Ah	2.0
Type		1

Oplader	90608625	
Indgangsspænding	$V_{AC}$	230
udgangsspænding	$V_{DC}$	18
Strømstyrke	mA	2000

Vilkår og betingelser for Stanley Fat Max 1 års garanti og placeringen af dit nærmeste autoriserede serviceværksted kan fås på internettet på [www.2helpU.com](http://www.2helpU.com), eller ved at kontakte dit lokale Stanley Fat Max kontor på den adresse, der er angivet i denne vejledning.

Besøg venligst vores websted [www.stanley.eu/3](http://www.stanley.eu/3) for at registrere dit nye Stanley FatMax-produkt og modtage opdateringer om nye produkter og specielle tilbud.

(Alkupe räisten ohjeiden käänös)

SUOMI

## EU-overensstemmelseserklæring MASKINDIREKTIV



### FMCW220 Roterende slibemaskine

Stanley Europe erklærer, at produkterne beskrevet under "Tekniske data" er i overensstemmelse med: 2006/42/EC, EN60745-1:2009+A11:2010, EN60745-2-4:2009+A11:2011

Disse produkter er endvidere i overensstemmelse med direktiv 2014/30/EU og 2011/65/EU. Kontakt Stanley Fat Max på nedenstående adresse, eller se vejledningens bagside for at få flere oplysninger.

Undertegnede er ansvarlig for udarbejdelsen af de tekniske data og fremsætter denne erklæring på vegne af Stanley FatMax.

R. Laverick  
Direktør for konstruktioner  
Stanley Europe, Egide Walschaertsstraat14-18,  
2800 Mechelen, Belgien  
22/08/2017

## Garanti

Stanley Fat Max er sikker på kvaliteten af sine produkter og giver forbrugerne en garanti på 12 måneder fra købsdatoen. Garantien er et tillæg til forbrugerens lovmæssige retigheder og påvirker ikke disse. Garantien er gyldig inden for medlemsstaterne af Den Europæiske Union og Det Europæiske Frihandelsområde.

Når du gør krav på garantien, skal kravet være i overensstemmelse med Stanley Fat Max vilkår og betingelser, og du skal indsende dokumentation for købet til sælgeren eller til en autoriseret reparatør.

## Käyttötarkoitus

Stanley Fat Max FMCW220 -epäkeskohoimakone on tarkoitettu puun, metallin, muovien ja maalipintojen hiomiseen. Laite on tarkoitettu sekä ammatti- että yksityiskäyttöön.

## Turvallisuusohjeet

### Sähkötyökalujen yleiset turvavaroitukset



**Varoitus! Lue kaikki turvallisuusvaroitukset ja ohjeet.** Alla olevien varoitusten ja ohjeiden noudattamisen laiminlyönti saattaa johtaa sähköiskuun, tulipaloon ja/tai vakavaan loukkaantumiseen.

**Säästä kaikki varoitukset ja ohjeet tulevaa käyttöä varten.** Ohjeissa käytetty käsite "sähkötyökalu" tarkoittaa verkkokäyttöisiä sähkötyökaluja (verkkojohdolla varustettuja) ja akkukäyttöisiä sähkötyökaluja (ilman verkkojohdotta).

#### 1. Työalueen turvallisuus

- Pidä työalue puhtaana ja hyvin valaistuna.** Onnettomuuksia sattuu herkemmin epäsiistissä tai huonosti valaistussa ympäristössä.
- Älä käytä sähkötyökalua räjähdyksalttiissa ympäristössä, jossa on syttyvää nestettä, kaasua tai pölyä.** Sähkötyökalujen aiheuttamat kipinät voivat sytyttää pölyn tai kaasut.
- Pidä lapset ja sivulliset loitolla sähkötyökalua käyttäessäsi.** Keskeytymiskyvyn herpaantuminen voi aiheuttaa hallinnan menettämisen.

#### 2. Sähköturvallisuus

- Sähkötyökalun pistokkeen on sovittava pistorasiaan. Älä koskaan tee pistokkeeseen mitään muutoksia. Älä yhdistä maadoitettua sähkötyökalua jatkojohtoon.** Sähköiskun vaara vähenee, jos pistokkeisiin ei tehdä muutoksia ja ne yhdistetään vain niille tarkoitettuihin pistorasioihin.
- Vältä koskettamasta maadoitettuja pintoja, kuten putkia, lämpöpattereita, liesiä tai jääkaappeja.** Voit saada sähköiskun, jos kehosi on maadoitettu.

- c. **Älä altista sähkötyökalua sateelle tai kosteudelle.** Sähkötyökaluun menevä vesi lisää sähköiskun vaaraa.
- d. **Älä käsittele virtajohtoa kovakouraisesti. Älä käytä johtoa laturin kantamiseen, vetämiseen tai pistokkeen irrottamiseen pistorasiasta. Pidä sähköjohto kaukana kuumuudesta, öljystä, terävistä reunoista tai liikkuvista osista.** Vaurioituneet tai sokeutuneet johdot lisäävät sähköiskun vaaraa.
- e. **Käyttäessäsi sähkötyökalua ulkona käytä ainoastaan ulkokäyttöön soveltuvaa jatkojohtoa.** Ulkokäyttöön tarkoitettun sähköjohdon käyttäminen vähentää sähköiskun vaaraa.
- f. **Jos sähkötyökalua on välttämättä käytettävä kosteassa paikassa, käytä vikavirtasuojalla (RCD) suojattua virtalähdettä.** Tämä vähentää sähköiskun vaaraa.
3. **Henkilöturvallisuus**
- a. **Ole valpas, keskity työhön ja noudata tervettä järkeä sähkötyökalun käytössä. Älä käytä tätä työkalua ollessasi väsynyt tai alkoholin, huumeiden tai lääkkeiden vaikutuksen alaisena.** Keskittymisen herpaantuminen hetkeksikin sähkötyökalua käytettäessä voi aiheuttaa vakavan henkilövahingon.
- b. **Käytä henkilökohtaisia suojavarusteita. Käytä aina suojalaseja.** Hengityssuojaimen, liukumattomien turvajalkineiden, kypärän ja kuulonsuojaimen käyttäminen vähentää henkilövahinkojen vaaraa.
- c. **Vältä tahatonta käynnistämistä. Varmista, että kytkin on OFF-asennossa, ennen kuin liität laitteen virtalähteeseen ja/tai akkuun, nostat laitteen tai kannat sitä.** Sähkötyökalun kantaminen sormi virtakytkimellä lisää onnettomuusvaaraa.
- d. **Irrota mahdollinen säätö- tai kiintoavain ennen kuin käynnistät sähkötyökalun.** Sähkötyökalun pyöriivään osaan kiinni jäänyt avain voi johtaa loukkaantumiseen.
- e. **Älä kurkota. Huolehdi siitä, että sinulla on koko ajan tukeva jalansija ja hyvä tasapaino.** Näin voit hallita sähkötyökalua paremmin odottamattomissa tilanteissa.
- f. **Käytä tarkoitukseen soveltuvia vaatteita. Älä käytä löysiä vaatteita tai koruja. Pidä hiukset, vaatteet ja kädet loitolla liikkuvista osista.** Löysät vaatteet, korut tai pitkät hiukset voivat tarttua liikkuviin osiin.
- g. **Jos työkalun voi liittää polynimuriin, tarkista, että liitos on tehty asianmukaisesti ja että laitteita käytetään oikealla tavalla.** Pölyn ottaminen talteen voi vähentää pölyn aiheuttamia vaaroja.
- h. **Vaikka käyttäisit usein työkaluja ja sinulla olisi niistä hyvä tuntemus, älä jätä lukematta työkalun turvallisuusohjeita.** Huolimattomuus voi johtaa vakaviin henkilövahinkoihin jopa sekunnin murto-osassa.
4. **Sähkötyökalujen käyttö ja hoito**
- a. **Älä yliuormita sähkötyökalua. Valitse käyttötarkoituksen kannalta oikea sähkötyökalu.** Sähkötyökalu toimii paremmin ja turvallisemmin, kun sitä käytetään sille suunniteltuun käyttötarkoitukseen.
- b. **Älä käytä sähkötyökalua, jota ei voida käynnistää ja pysäyttää virtakytkimestä.** Jos sähkötyökalua ei voi hallita kytkimen avulla, se on vaarallinen ja se on korjattava.
- c. **Irrota pistotulppa pistorasiasta ja/tai akku laitteesta ennen kuin suoritat säätöjä, vaihdat tarvikkeita tai siirrä sähkötyökalun varastoitavaksi.** Näin voit vähentää vahingossa käynnistymisen aiheuttaman henkilövahingon vaaraa.
- d. **Säilytä sähkötyökalut poissa lasten ulottuvilta, kun niitä ei käytetä. Älä anna sähkötyökalua sellaisen henkilön käyttöön, joka ei tunne sitä tai joka ei ole tutustunut tähän käyttöohjeeseen.** Sähkötyökalut ovat vaarallisia kouluttamattomien käyttäjien käsissä.
- e. **Hoida sähkötyökalusi huolella.** Tarkista, että liikkuvat osat toimivat moitteettomasti ja etteivät ne ole puristuksessa. Tarkista myös, ettei työkalussa ei ole murtuneita tai vahingoittuneita osia, jotka saattaisivat vaikuttaa haitallisesti sen toimintaan. Jos havaitset vaurioita, korjauta sähkötyökalu ennen niiden käyttämistä. Huonosti kunnossapidetyt sähkötyökalut aiheuttavat onnettomuuksia.
- f. **Pidä leikkausterät terävinä ja puhtaina.** Kunnossa pidettyjen leikkaavien teräviä reunoja sisältävien työkalut todennäköisyys jumiutua vähenee, ja niitä on helpompi hallita.
- g. **Käytä sähkötyökaluja, tarvikkeita, vaihtoteriä yms. näiden ohjeiden mukaisesti. Ota tällöin huomioon työolosuhteet ja suoritettava toimenpide.** Jos sähkötyökalua käytetään näiden ohjeiden vastaisesti, voi syntyä vaaratilanne.
- h. **Pidä kahvat ja kädensijat kuivina ja puhtaina öljystä ja rasvasta.** Liukkaat kahvat ja kädensijat estävät työkalun turvallisen käsittelyn ja hallinnan odottamattomissa tilanteissa.
5. **Akkutyökalun käyttö ja huolto**
- a. **Lataa akku vain valmistajan määrittelemällä laturilla.** Laturi, joka on sopiva yhden tyyppiselle akulle, voi aiheuttaa tulipalon vaaran, jos sitä käytetään toisen tyyppisellä akulla.
- b. **Käytä sähkötyökalussa ainoastaan kyseiseen sähkötyökaluun tarkoitettua akkua.** Muun tyyppisen akun käyttö saattaa johtaa loukkaantumiseen ja tulipaloon.
- c. **Pidä irrallinen akku loitolla metalliesineistä, kuten paperiliittimistä, kolikoista, avaimista, nauloista, ruuveista tai muista pienistä metalliesineistä, jotka**

voivat aiheuttaa oikosulun akun navoissa. Kennon piteiden oikosulku voi aiheuttaa palovammoja tai tulipalon.

- d. **Väärin käytetystä akusta voi vuotaa nestettä. Älä kosketa sitä. Jos nesteen kanssa joutuu kosketuksiin, huuhtelee vedellä. Jos nestettä joutuu silmiin, hakeudu lisäksi lääkärin hoitoon.** Akusta roiskunut neste saattaa aiheuttaa ärsytystä tai palovammoja.
- e. **Akkua tai työkalua ei saa käyttää, jos siinä on vaurioita tai sitä on muunneltu.** Vaurioituneet tai muunnellut akut voivat johtaa odottamattomiin tilanteisiin ja vaarana ovat tulipalo, räjähdys ja henkilövahingot.
- f. **Suojaa akku ja työkalu tullelta ja liian korkeilta lämpötiloilta.** Se voi räjähtää yli 129 °C lämpötilassa.
- g. **Noudata kaikkia latausohjeita. Akkua tai työkalua ei saa ladata ohjeissa määritetystä lämpötilavälisestä poikkeavassa lämpötilassa.** Jos akku ladataan virheellisesti tai määritetystä lämpötilavälisestä poikkeavassa lämpötilassa, seurauksena voi olla akun vaurioituminen ja tulipalovaara.

## 6. Huolto

- a. **Korjauta sähkötyökalu koulutetulla ja ammattitaitoisella henkilöllä ja hyväksy korjauksiin vain alkuperäisiä varaosia.** Tämä varmistaa sähkötyökalun turvallisuuden.
- b. **Älä koskaan huolla vaurioituneita akkuja.** Ainoastaan valmistaja tai valtuutetut huoltoliikkeet saavat huoltaa akkuja.

## Sähkötyökalujen lisäturvavaroitukset



**Varoitus!** Lisäturvavaroitukset hiomakoneelle

- ◆ **Pitele sähkötyökalua eristetyistä tartuntapinnoista, kun teet työtä, jossa hiomisosa voi joutua kosketuksiin piilossa olevien sähköjohtojen kanssa.** Hiomakoneen osien osuminen jännitteeseen johtoon tekee sen paljaista metalliosista jännitteisiä, joten käyttäjä voi saada sähköiskun
- ◆ **Käytä puristimia tai muuta käytännöllistä tapaa kiinnittää ja tukea työkalua tukevalle alustalle.** Työn pitäminen käsin tai vartaloa vasten on epävakaata ja saattaa johtaa kontrollin menetykseen.

**Varoitus!** Hiontotyöstä syntyvä pöly voi aiheuttaa terveyshaittoja käyttäjälle ja mahdollisille sivullisille. Käytä kasvosuojusta, joka on erityisesti tarkoitettu suojaamaan pölyltä ja höyryiltä, ja varmista, että kaikki työskentelyalueella olevat ja sinne tulevat henkilöt käyttävät suojavarusteita.



- ◆ Poista pöly huolellisesti hiomisen jälkeen.

- ◆ Ole erityisen varovainen hioessasi maalipintoja, jotka voivat sisältää lyijyä, tai puu- tai metallipintoja, joista voi irrota myrkyllistä hiomapölyä:
  - ◆ Älä anna lasten tai raskaana olevien naisten olla työalueella.
  - ◆ Älä syö, juo tai tupakoi työalueella.
  - ◆ Hävitä pöly ja muu jäte ympäristöstävällisesti.
- ◆ Tarkoitettu käyttö on kuvattu tässä käyttöohjeessa. Käytä työkalua ainoastaan sellaiseen työhön, johon se on tarkoitettu, ja käytä vain tässä käyttöohjeessa suositeltuja tarvikkeita ja lisälaitteita. Ohjeesta poikkeava käyttö voi aiheuttaa henkilö- ja/tai omaisuusvahinkoja.

## Muiden henkilöiden turvallisuus

Lapset, fyysisesti, aistillisesti tai henkisesti puutteelliset tai kokemattomat ja kouluttamattomat henkilöt, jotka eivät tunne näitä ohjeita, eivät saa koskaan käyttää konetta. Paikalliset määräykset voivat asettaa käyttäjän ikärajoituksia.

## Muut riskit

Myös muut kuin turvavaroituksissa mainitut riskit ovat mahdollisia työkalua käytettäessä. Nämä riskit voivat liittyä muun muassa virheelliseen tai pitkäaikaiseen käyttöön.

Tiettyjä jäännönsriskejä ei voi välttää, vaikka noudat kaikkia turvamääräyksiä ja käytät turvalaitteita. Näitä ovat:

- ◆ pyörivien tai liikkuvien osien koskettamisen aiheuttamat vahingot.
- ◆ osia, teriä tai lisävarusteita vaihdettaessa aiheutuneet vahingot.
- ◆ työkalun pitkäaikaisen käytön aiheuttamat vahingot. Varmista, että pidät säännöllisesti taukoja työkalun pitkäaikaisen käytön aikana.
- ◆ Kuulon heikkeneminen.
- ◆ Työkalua käytettäessä (esimerkiksi puuta, erityisesti tammea, pyökkiä ja MDF-levyjä käsiteltäessä) syntyneen pölyn sisäänhengityksen aiheuttamat terveysriskit.

## Tärinä

Teknisissä tiedoissa ja vaatimustenmukaisuusvakuutuksessa ilmoitettu tärinäpäästöarvo on mitattu EN60745-standardin testausmenetelmän mukaisesti, ja arvoa voi käyttää työkalujen keskinäiseen vertailuun. Ilmoitettua tärinäpäästöarvoa voi käyttää myös altistumisen alustavaan arviointiin.

**Varoitus!** Sähkötyökalun käytön aikana mitattu todellinen tärinäpäästöarvo voi poiketa ilmoitetusta tärinäpäästöarvosta työkalun käyttötavan mukaan. Tärinätasoa voi olla ilmoitettua tasoa suurempi.

Kun tärinälle altistumista arvioidaan sen määrittämiseksi, mitä direktiivin 2002/44/EY mukaisia turvatoimenpiteitä vaaditaan sähkötyökaluja säännöllisesti käyttävien henkilöiden suojelemiseksi, tärinälle altistumisen arvioinnissa on otettava huomioon todelliset käyttöolosuhteet ja työkalun käyttötavat.

Todellisen käytön lisäksi on kiinnitettävä huomiota myös siihen, milloin työkalu on sammutettuna tai se käy tyhjäkäynnillä.

## Työkalun tarrat

Työkaluun on merkitty päivämääräkoodi sekä seuraavat varoitusmerkinnät:



**Varoitus!** Käyttäjän on luettava käyttöohje vahinkojen välttämiseksi.

## Akkuja ja laturia koskevat lisäturvaohjeet Akut

- Älä koskaan yritä avata mistään syystä.
- Älä anna akun kastua.
- Älä säilytä akkuja tiloissa, joissa lämpötila voi nousta yli 40 °C:een.
- Lataa akku paikassa, jonka lämpötila on vähintään 10 °C ja enintään 40 °C.
- Lataa akku ainoastaan työkalun mukana toimitetulla laturilla.
- Noudata akkujen hävittämisessä Ympäristönsuojelukohdassa esitettyjä ohjeita.

## Laturit

- Käytä BLACK+DECKER-laturia vain laitteen mukana toimitetun akun lataamiseen. Muut akut voivat räjähtää ja aiheuttaa henkilövahinkoja tai aineellisia vahinkoja.
- Älä koskaan yritä ladata akkuja, joita ei ole tarkoitettu ladattavaksi.
- Vaihda vialliset johdot välittömästi ehjiin.
- Älä altista laturia vedelle.
- Älä avaa laturia.
- Älä työnnä mitään laturin sisään.



Laturi on tarkoitettu ainoastaan sisäkäyttöön.



Lue käyttöohjeet huolellisesti ennen laitteen käyttöä.

## Sähköturvallisuus



Laturi on kaksoiseristetty, joten erillistä maadoitusta ei tarvita. Tarkista aina, että verkkojännite vastaa arvokilvessä ilmoitettua jännitettä. Älä yritä vaihtaa laturiin tavallista verkkovirran pistoketta.

- Jos virtajohto vahingoittuu, sen vaihtaminen on turvallisuussyistä jätettävä valmistajan tai valtuutetun BLACK+DECKER-huoltopalvelun tehtäväksi.

## Yleiskuvasu

Tässä työkalussa on joitakin tai kaikki seuraavista ominaisuuksista.

1. Kahva
2. Virtakytkin
3. Hioma-alusta

4. Akku
5. Pölynpoistoaukko
6. Laturi

## Lataaminen (kuva A)

Stanley FatMax -laturit on tarkoitettu Stanley FatMax -akkujen lataamiseen.

- Yhdistä laturi (6) sopivaan pistorasiaan ennen kuin laitat siihen akun (4).
- Aseta akku (4) laturiin (6) kuvan A mukaisesti.
- LED-merkkivalo (6a) vilkkuu käynnissä olevan latauksen merkiksi.
- Kun lataus on valmis, LED-merkkivalo (6a) jää palamaan pysyvästi. Akku on täysin ladattu ja sitä voidaan käyttää heti tai sen voi jättää laturiin.

**Huomautus:** Lataa tyhjenneet akut mahdollisimman pian käytön jälkeen, muutoin akun käyttöikä voi lyhentyä. Vältä akkuvirran purkautumista kokonaan loppuun akun käyttöiän maksimoimiseksi.

Suosittelemme akkujen lataamista jokaisen käyttökerran jälkeen.

## Akun jättäminen laturiin

Akku (4) voidaan jättää laturiin (6), kun LED-merkkivalo palaa. Laturi pitää akun käyttövalmiina ja ladattuna.

## Tärkeitä huomautuksia lataamiseen

- Pisin käyttöikä ja paras suorituskyky saavutetaan, kun akkuja ladataan lämpötilassa 18 °C - 24 °C (65 °F - 75 °F). ÄLÄ lataa akkuja alle +4,5 °C (+40°F) tai yli +40,5 °C (+105°F) lämpötilassa. Tämä on tärkeää ja se estää akun vakavat vauriot.
- Laturi ja akku voivat kuumentua latauksen aikana. Tämä on normaalia, eikä ole osoitus ongelmasta. Jotta akku jäähtyisi käytön jälkeen, vältä asettamista laturia tai akkuja lämpimään ympäristöön, kuten metallikoteloon tai eristämättömän perävaunun päälle.
- Jos akku ei lataudu oikein:
  - Tarkista pistorasian sähkövirta kytkemällä siihen lamppu tai jokin muu laite.
  - Tarkista valojen sammuttamisen yhteydessä virran katkaisevaa valokytkintä liitetty pistorasiaan.
  - Siirrä laturi ja akku paikkaan, jossa ympäristölämpötila on noin 18 °C - 24 °C (65°F - 75°F).
  - Jos latausongelmat jatkuvat, vie työkalu akun ja laturin ohella paikalliseen huoltopalveluun.
- Akku täytyy ladata uudelleen, kun se ei enää tuota riittävää tehoa töissä, joka voitiin aikaisemmin tehdä helposti. ÄLÄ JATKA TYÖKALUN KÄYTTÖÄ näissä olosuhteissa. Noudata latausohjeita. Voit halutessasi myös ladata osittain käytetyn akun milloin tahansa, ilman että siitä olisi haittaa akulle.



- ◆ Vieraat johtavat aineet, kuten teräsvilla, alumiinifolio tai metallihiukkaskertymät, niihin kuitenkaan rajoittumatta, on pidettävä poissa laturin aukoista. Irrota laturi aina tehonsyötöstä, kun laturissa ei ole akkua. Irrota laturi tehonsyötöstä ennen kuin yrität puhdistaa sitä.
- ◆ Älä pakasta tai upota laturia veteen tai muihin nesteisiin.

**Varoitus!** Älä päästä nestettä laturin sisään. Älä koskaan yritä avata akkuyksikköä mistään syyistä. Jos akun muovikotelo rikkoutuu tai halkeaa, palauta se huoltopalveluun kierrätystä varten.

### Laturin vianmääritys (kuva B)

Katso akun lataustaso kuvan B merkinnoista.

### Viallinen akku

Jos näet heikosta akun kunnosta ilmoittavan vilkkumisen, lopeta akun lataus. Vie se huoltopalveluun tai kierrätyspisteeseen.

### Akun kuuma-/kylmäviive

Kun laturi tunnistaa liian kuuman tai kylmän akun, se käynnistää automaattisesti akun kuuma-/kylmäviiveen, jolloin lataus käynnistyy vasta sitten, kun akku on saavuttanut hyväksyttävän lämpötilan. Laturi siirtyy tämän jälkeen automaattisesti akun lataustilaan. Tämä toiminto takaa akun maksimaalisen käyttöiän. Kylmä akku latautuu hitaammin kuin lämmin akku. Akku latautuu hitaammin koko latausjakson ajan, sen latautumisnopeus ei palaudu nopeaksi, vaikka akku lämpenisi.

### Akun asentaminen ja poistaminen työkalusta Akun asentaminen (kuva C)

- ◆ Aseta akku (4) työkaluun, kunnes kuulet napsahduksen (kuva C)
- ◆ Varmista, että akku on kokonaan paikoillaan ja lukittu paikoilleen.

### Akun irrotus (kuva D)

- ◆ Paina akun vapautuspainiketta (7) kuvan D mukaisesti ja vedä akku (4) irti työkalusta.

### Hiomalaikkojen kiinnittäminen koukun ja silmukan avulla (kuva E)

Käytä Stanley FatMax -lisävarusteita parhaan tuloksen saavuttamiseksi.

- ◆ Tämä hiomakone on tarkoitettu käytettäväksi joko verkkokuviosella karbidihiekkapaperilla tai tavallisella hiekkapaperilla, jossa on 8-reikäinen pölynpoistokuvio.
- ◆ Kiinnitä hiomalaikka (8) keskittämillä se varoen hiomaluustaan (3) varmistaen, että laikan reiät kohdistuvat laikassa oleviin reikiin. Paina laikka hyvin paikoilleen.

- ◆ Hiomalaikan koukku/silmukka-kiinnitysjärjestelmä voidaan poistaa helposti vetämällä se irti. Sitä voidaan käyttää tarvittaessa uudelleen.

### Käyttö

**Varoitus!** Anna työkalun käydä omaan tahtiinsa. Älä ylikuormita sitä.

### Käynnistys ja pysäytys (kuva F)

- ◆ Käynnistä työkalu painamalla virtakytkin (2) etuaseentoon "I".
- ◆ Sammuta työkalu painamalla virtakytkin (2) taka-aseentoon "O".

### Käyttö

Tartu hiomakoneeseen kuvan G mukaisesti ja kytke se päälle (ON). Liikuta sitä pitkin pyyhkivin liikkeen pintaa vasten niin, että kone suorittaa toimenpiteen tehokkaasti.

Jos konetta painetaan alaspäin hiomisen aikana, poistonopeus hidastuu ja lopputuloksen laatu on heikompi. Tarkista työstökappale usein. Hiomakone poistaa materiaalin nopeasti erityisesti karheaa paperia käyttäessä.

### Pölynkeräys

**Varoitus!** Hiotusta pinnasta kerätty pöly (polyuretaani, pellavansiemenöljy, jne.) voi syttyä itsestään ja aiheuttaa tulipalon. Vaaran välttämiseksi hiomakoneen sekä pinnoitteen valmistajan ohjeita on noudatettava.

### Imurin kytkeminen (kuva H)

- ◆ Työnnä pölynimurin letku (9) pölynpoistoaukkoon (9).

### Huolto

Tämä työkalu on suunniteltu toimimaan mahdollisimman pitkän aikaa mahdollisimman vähällä huollolla. Oikea käsittely ja säännöllinen puhdistus varmistavat laitteen ongelmattoman toiminnan.

**Varoitus!** Katkaise koneesta virta ja irrota virtajohto pistorasiasta aina ennen huoltotoimenpiteitä.

- ◆ Puhdista laitteen ilma-aukot säännöllisesti pehmeällä harjalla tai kuivalla rievulla.
- ◆ Puhdista moottorikotelo säännöllisesti kostealla liinalla. Älä käytä hankaavia tai liuotinpohjaisia puhdistusaineita.

### Ympäristönsuojelu



Toimita tämä laite erilliskeräykseen. Tällä symbolilla merkityjä tuotteita ja akkuja ei saa hävittää tavallisen kotitalousjätteen mukana

Tuotteissa ja akkuissa on materiaaleja, jotka voidaan ottaa talteen tai kierrättää uudelleen käyttöä varten. Kierrätä sähkölaitteet ja akut paikallisten määräyksien mukaan. Lisätietoa on saatavilla osoitteessa [www.2helpU.com](http://www.2helpU.com)

## Tekniset tiedot

FMCW220		
Syöttöjännite	$V_{DC}$	18
Värähtelyt (ilman kuormaa)	$min^{-1}$	12000
Kierrokset (ilman kuormaa)	$min^{-1}$	12000
Hioma-alustan pinta	$mm^2$	12660
Paino	kg	1,02
Akku		
FMC687L		
Jännite	$V_{DC}$	18
Teho	Ah	2,0
Tyyppi		1
Laturi		
90608625		
Syöttöjännite	$V_{AC}$	230
Lähtöjännite	$V_{DC}$	18
Virta	mA	2000

$L_{pA}$  (äänenpaine) 68 dB(A), epävarmuus (K) 3 dB(A)

$L_{WA}$  (äänitehotaso) 79 dB(A), epävarmuus (K) 3 dB(A)

Täinän kokonaisarvot (vektorisumma) standardin EN 60745 mukaisesti:

Täinänpäästöarvo:  
Pääkahva ( $a_{pA}$ ) 5,98  $m/s^2$ , epävarmuus (K) 1,5  $m/s^2$  Lisäkahva ( $a_{pA}$ ) 7,3  $m/s^2$ , epävarmuus (K) 1,5  $m/s^2$

## EY-vaatimustenmukaisuusvakuutus

KONEDIREKTIIVI



### FMCW220-epäkeskoihioakone

Stanley Europe ilmoittaa, että tuotteet, jotka on kuvattu kohdassa Tekniset tiedot, täyttävät seuraavien direktiivien vaatimukset:

2006/42/EY, EN60745-1:2009+A11:2010,  
EN60745-2-4:2009+A11:2011

Nämä tuotteet täyttävät myös direktiivien 2014/30/EU ja 2011/65/EU vaatimukset. Lisätietoja saa ottamalla yhteyttä Stanley Fat Max -yhtiöön seuraavaan osoitteeseen. Tiedot ovat myös käyttöoppaan takakannessa.

Allekirjoittanut vastaa teknisten tietojen kokoamisesta ja antaa tämän ilmoituksen Stanley FatMaxin puolesta.

R. Laverick

Teknisen osaston johtaja  
Stanley Europe, Egide Walschaertsstraat 14-18,  
2800 Mechelen, Belgium  
22/08/2017

## Takuu

Stanley Fat Max on vakuutunut tuotteidensa korkeasta laadusta ja tarjoaa kuluttajille 12 kuukauden takuun, joka astuu voimaan ostopäivänä. Takuu on lisäys kuluttajan lailisiin oikeuksiin eikä vaikuta niihin. Tämä takuu on voimassa kaikissa EU- ja ETA-maissa.

Edellytyksenä takuun saamiselle on, että vaade täyttää Stanley Fat Maxin ehdot ja että ostaja toimittaa ostotositteen jälleenmyyjälle tai valtuutetulle huoltoliikkeelle.

Stanley Fat Maxin yhden vuoden takuun ehdot ja lähimmän valtuutetun korjauspalvelun yhteystiedot ovat saatavilla osoitteessa [www.2helpU.com](http://www.2helpU.com) tai ottamalla yhteyttä paikalliseen Stanley Fat Maxin toimipisteeseen tässä ohjekirjassa ilmoitetuihin osoitteisiin.

Käy verkkosivuiltamme osoitteessa [www.stanley.eu/3](http://www.stanley.eu/3) ja rekisteröi uusi Stanley Fat Max -tuotteesi saadaksesi tietoa uusista tuotteista ja erikoistarjouksista.

(Μετάφραση των πρωτότυπων οδηγιών)

ΕΛΛΗΝΙΚΑ

## Προβλεπόμενη χρήση

Το ελλειπτικό σας τριβείο τυχαίας τροχιάς Stanley Fat Max FMCW220 έχει σχεδιαστεί για γυαλοχάρτισμα ξύλου, μετάλλου, πλαστικών υλικών και βαμμένων επιφανειών. Αυτή η συσκευή προορίζεται για επαγγελματική και ιδιωτική, μη επαγγελματική χρήση.

## Οδηγίες ασφαλείας

### Γενικές προειδοποιήσεις ασφαλείας για ηλεκτρικά εργαλεία

**Προειδοποίηση! Διαβάστε όλες τις προειδοποιήσεις ασφαλείας και όλες τις οδηγίες.**



Η μη τήρηση των παρακάτω προειδοποιήσεων και οδηγιών μπορεί να προκαλέσει ηλεκτροπληξία, πυρκαγιά και/ή σοβαρές σωματικές βλάβες.

**Φυλάξτε όλες τις προειδοποιήσεις και τις οδηγίες για μελλοντική αναφορά.** Ο όρος "ηλεκτρικό εργαλείο" που χρησιμοποιείται σε όλες τις παρακάτω προειδοποιήσεις, αναφέρεται είτε σε εργαλείο που λειτουργεί με ρεύμα δικτύου (ρεύματος - με καλώδιο) είτε σε εργαλείο που λειτουργεί με μπαταρία (μπαταρίας - χωρίς καλώδιο).

### 1. Ασφάλεια χώρου εργασίας

**α. Διατηρείτε το χώρο εργασίας καθαρό και καλά φωτισμένο.** Οι ατακτοποιητοί ή σκοτεινοί χώροι γίνονται αιτίες ατυχημάτων.

- β. Μη χρησιμοποιείτε ηλεκτρικά εργαλεία σε περιβάλλον όπου υπάρχει κίνδυνος έκρηξης, όπως με παρουσία εύφλεκτων υγρών, αερίων ή σκόνης.** Τα ηλεκτρικά εργαλεία παράγουν σπινθήρες που μπορεί να προκαλέσουν ανάφλεξη της σκόνης ή των αναθυμιάσεων.
- γ. Όταν χρησιμοποιείτε ηλεκτρικό εργαλείο, κρατάτε μακριά τα παιδιά και άλλα άτομα.** Παράγοντες που αποσπούν την προσοχή μπορεί να σας κάνουν να χάσετε τον έλεγχο.
- 2. Ασφαλής χρήση ηλεκτρικού ρεύματος**
- α. Τα φως των ηλεκτρικών εργαλείων πρέπει να ταιριάζουν στην πρίζα. Σε καμία περίπτωση μην τροποποιήσετε το φως, με κανένα τρόπο. Μη χρησιμοποιείτε φως προσαρμογής με γειωμένα ηλεκτρικά εργαλεία.** Τα φως που δεν έχουν υποστεί τροποποιήσεις και οι κατάλληλες πρίζες μειώνουν τον κίνδυνο ηλεκτροπληξίας.
- β. Αποφεύγετε την επαφή του σώματός σας με γειωμένες επιφάνειες, όπως σωλήνες, καλοριφέρ, κουζίνες και ψυγεία.** Υπάρχει αυξημένος κίνδυνος ηλεκτροπληξίας αν το σώμα σας είναι γειωμένο.
- γ. Μην εκθέτετε τα ηλεκτρικά εργαλεία σε βροχή ή υγρασία.** Η διείσδυση νερού σε ένα ηλεκτρικό εργαλείο αυξάνει τον κίνδυνο ηλεκτροπληξίας.
- δ. Μην κακομεταχειρίζεστε το καλώδιο. Μη χρησιμοποιείτε ποτέ το καλώδιο για να μεταφέρετε τη συσκευή, να την τραβήξετε ή να την αποσυνδέσετε από την πρίζα. Κρατάτε το καλώδιο μακριά από θερμότητα, λάδια, αιχμηρά άκρα ή κινούμενα μέρη.** Τα καλώδια που έχουν υποστεί ζημιά ή είναι μπερδεμένα αυξάνουν τον κίνδυνο ηλεκτροπληξίας.
- ε. Όταν χρησιμοποιείτε ηλεκτρικό εργαλείο σε εξωτερικούς χώρους, να χρησιμοποιείτε πάντοτε καλώδιο επέκτασης κατάλληλο για εργασία σε εξωτερικούς χώρους.** Η χρήση καλωδίου κατάλληλου για εργασία σε εξωτερικούς χώρους μειώνει τον κίνδυνο ηλεκτροπληξίας.
- στ. Εάν είναι αναπόφευκτη η χρήση ενός ηλεκτρικού εργαλείου σε συνθήκες υγρασίας, χρησιμοποιήστε μια διάταξη προστασίας από ρεύμα διαρροής (RCD).** Η χρήση μιας διάταξης RCD μειώνει τον κίνδυνο ηλεκτροπληξίας.
- 3. Προσωπική ασφάλεια**
- α. Όταν χρησιμοποιείτε ηλεκτρικό εργαλείο, να είστε σε εγρήγορση, να συγκεντρώνεστε στην εργασία που κάνετε και να επιστρατεύετε την κοινή λογική. Μη χρησιμοποιείτε ηλεκτρικό εργαλείο όταν είστε κουρασμένος/η υπό την επήρεια ναρκωτικών, οινοπνεύματος ή φαρμακευτικής αγωγής.** Μια στιγμή απροσεξίας κατά τη χρήση ηλεκτρικών εργαλείων μπορεί να προκαλέσει σοβαρό τραυματισμό.
- β. Να χρησιμοποιείτε ατομικό εξοπλισμό προστασίας. Πάντα φοράτε προστασία ματιών.** Ο εξοπλισμός προστασίας, όπως μάσκα κατά της σκόνης, αντιολισθητικά παπούτσια ασφαλείας, κράνος ή προστασία ακοής, όταν χρησιμοποιείται για τις κατάλληλες συνθήκες, θα μειώσει τους τραυματισμούς και τις σωματικές βλάβες.
- γ. Αποτρέπετε την ακούσια ενεργοποίηση. Βεβαιωθείτε ότι ο διακόπτης βρίσκεται στη θέση απενεργοποίησης, πριν συνδέσετε το εργαλείο στην πηγή ρεύματος και/ή τοποθετήσετε το πακέτο μπαταρίας, καθώς και πριν πάρετε στα χέρια σας ή μεταφέρετε το εργαλείο.** Η μεταφορά ηλεκτρικών εργαλείων με το δάχτυλο πάνω στο διακόπτη ή η σύνδεση στο ρεύμα ηλεκτρικών εργαλείων με το διακόπτη στη θέση ενεργοποίησης, ενέχει κινδύνους ατυχημάτων.
- δ. Πριν θέσετε το ηλεκτρικό εργαλείο σε λειτουργία, αφαιρέστε τυχόν εργαλεία ή κλειδιά ρύθμισης.** Εάν αφήσετε ένα εργαλείο ή κλειδί πάνω σε κάποιο περιστρεφόμενο εξάρτημα του ηλεκτρικού εργαλείου, μπορεί να προκληθούν τραυματισμοί.
- ε. Μην τεντώνετε υπερβολικά. Διατηρείτε πάντα σταθερή στήριξη στα πόδια σας και καλή ισορροπία.** Έτσι μπορείτε να έχετε καλύτερο έλεγχο του ηλεκτρικού εργαλείου σε μη αναμενόμενες καταστάσεις.
- στ. Φοράτε κατάλληλη ενδυμασία εργασίας. Μη φοράτε φαρδιά ρούχα ούτε κοσμήματα. Κρατάτε τα μαλλιά, τα ρούχα και τα γάντια σας μακριά από κινούμενα μέρη.** Τα χαλαρά ρούχα, τα κοσμήματα και τα μακριά μαλλιά μπορούν να πιαστούν σε κινούμενα μέρη.
- ζ. Αν παρέχονται διατάξεις για τη σύνδεση συστημάτων απομάκρυνσης και συλλογής της σκόνης, βεβαιωθείτε ότι αυτές είναι συνδεδεμένες και χρησιμοποιούνται σωστά.** Η χρήση διατάξεων συλλογής της σκόνης μπορεί να μειώσει τους κινδύνους που προέρχονται από τη σκόνη.
- η. Μην αφήνετε την εξοικείωση που έχετε αποκτήσει από τη συχνή χρήση εργαλείων να σας επιτρέψει να εφησυχάστε ώστε να αγνοείτε τις αρχές ασφαλούς χρήσης των εργαλείων.** Μια απρόσεκτη ενέργεια μπορεί να προκαλέσει βαρύ τραυματισμό σε κλάσματα του δευτερολέπτου.
- 4. Χρήση και φροντίδα ηλεκτρικών εργαλείων**
- α. Μην υπερφορτώνετε το ηλεκτρικό εργαλείο. Χρησιμοποιείτε το σωστό ηλεκτρικό εργαλείο για την εφαρμογή σας.** Το σωστό ηλεκτρικό εργαλείο θα εκτελέσει την εργασία καλύτερα και ασφαλέστερα, με την ένταση χρήσης για την οποία σχεδιάστηκε.
- β. Μη χρησιμοποιήσετε το ηλεκτρικό εργαλείο αν ο διακόπτης του δεν μπορεί να το ενεργοποιεί και απενεργοποιεί.** Ένα ηλεκτρικό εργαλείο του οποίου η

λειτουργία δεν μπορεί να ελεγχθεί με το διακόπτη είναι επικίνδυνο και πρέπει να επισκευαστεί.

- γ. Αποσυνδέστε το φως από την πηγή ρεύματος και/ή το πακέτο μπαταρίας από το ηλεκτρικό εργαλείο, πριν διεξαγάγετε οποιαδήποτε ρύθμιση, αλλαγή αξεσουάρ ή όταν πρόκειται να αποθηκεύσετε το ηλεκτρικό εργαλείο.** Τέτοια προληπτικά μέτρα ασφαλείας μειώνουν το κίνδυνο αβέλτηρης εκκίνησης του ηλεκτρικού εργαλείου.
- δ. Να φυλάσσετε μακριά από παιδιά τα ηλεκτρικά εργαλεία που δεν χρησιμοποιείτε.** Μην αφήνετε να χρησιμοποιήσουν ηλεκτρικό εργαλείο άτομα που δεν είναι εξοικειωμένα με αυτό ή άτομα που δεν έχουν διαβάσει αυτές τις οδηγίες χρήσης. Τα ηλεκτρικά εργαλεία είναι επικίνδυνα στα χέρια μη εκπαιδευμένων χρηστών.
- ε. Να συντηρείτε τα ηλεκτρικά εργαλεία.** Ελέγχετε για προβλήματα ευθυγράμμισης ή για μάγκωμα των κινούμενων εξαρτημάτων, θραύση εξαρτημάτων, καθώς και για οποιοδήποτε άλλο πρόβλημα μπορεί να επηρεάσει τη λειτουργία των ηλεκτρικών εργαλείων. Αν το ηλεκτρικό εργαλείο έχει υποστεί ζημιά, φροντίστε να επισκευαστεί πριν το χρησιμοποιήσετε. Η ανεπαρκής συντήρηση των ηλεκτρικών εργαλείων αποτελεί αιτία πολλών ατυχημάτων.
- στ. Διατηρείτε τα κοπτικά εργαλεία κοφτερά και καθαρά.** Τα κοπτικά εργαλεία με κοφτερές κοπτικές αιχμές που συντηρούνται σωστά έχουν λιγότερες πιθανότητες να μαγκώσουν και ελέγχονται ευκολότερα.
- ζ. Να χρησιμοποιείτε το ηλεκτρικό εργαλείο, τα αξεσουάρ και τις μύτες του εργαλείου κλπ. σύμφωνα με τις παρούσες οδηγίες, λαμβάνοντας υπόψη σας τις συνθήκες εργασίας και την εργασία που θέλετε να εκτελέσετε.** Η χρήση του ηλεκτρικού εργαλείου για εργασίες διαφορετικές από τις προβλεπόμενες θα μπορούσε να οδηγήσει σε επικίνδυνη κατάσταση.
- η. Διατηρείτε τις λαβές και τις επιφάνειες κρατήματος στεγνές, καθαρές και απαλλαγμένες από λάδι και γράσο.** Οι ολισθηρές λαβές και επιφάνειες κρατήματος δεν επιτρέπουν τον ασφαλή χειρισμό και έλεγχο του εργαλείου σε μη αναμενόμενες καταστάσεις.

## 5. Χρήση και φροντίδα εργαλείων μπαταρίας

- α. Να επαναφορτίζετε μόνο με το φορτιστή που καθορίζει ο κατασκευαστής.** Ένας φορτιστής που είναι κατάλληλος για ένα τύπο πακέτου μπαταρίας μπορεί να δημιουργήσει κίνδυνο πυρκαγιάς όταν χρησιμοποιείται με άλλο πακέτο μπαταρίας.
- β. Χρησιμοποιείτε τα ηλεκτρικά εργαλεία αποκλειστικά και μόνο με τα καθοριζόμενα πακέτα μπαταριών.** Η χρήση άλλων πακέτων μπαταριών μπορεί να προκαλέσει κίνδυνο τραυματισμού και πυρκαγιάς.

- γ. Όταν το πακέτο μπαταρίας δεν χρησιμοποιείται, κρατάτε το μακριά από άλλα μεταλλικά αντικείμενα, όπως συνδετήρες, κέρματα, κλειδιά, καρφιά, βίδες ή άλλα μικρά μεταλλικά αντικείμενα που μπορούν να βραχυκυκλώσουν τους δύο ακροδέκτες του.** Αν βραχυκυκλωθούν οι ακροδέκτες της μπαταρίας, μπορεί να προκληθούν εγκαύματα ή πυρκαγιά.
- δ. Αν οι μπαταρίες υποστούν κακομεταχείριση, μπορεί να διαρρεύσει υγρό.** Αποφύγετε την επαφή. Αν κατά λάθος έρθετε σε επαφή, ξεπλύνετε με νερό. Σε περίπτωση που το υγρό έλθει σε επαφή με τα μάτια σας, ζητήστε επιπλέον και ιατρική βοήθεια. Το υγρό που εξέρχεται από την μπαταρία μπορεί να προκαλέσει ερεθισμούς ή εγκαύματα.
- ε. Μη χρησιμοποιήσετε πακέτο μπαταρίας ή εργαλείο που έχει υποστεί ζημιά ή τροποποίηση.** Οι μπαταρίες που έχουν υποστεί ζημιά ή τροποποίηση μπορεί να έχουν απρόβλεπτη συμπεριφορά, με αποτέλεσμα φωτιά, έκρηξη ή κίνδυνο τραυματισμού.
- στ. Μην εκθέσετε ένα πακέτο μπαταρίας ή εργαλείο σε φωτιά ή υπερβολική θερμοκρασία.** Η έκθεση σε φωτιά ή σε θερμοκρασία πάνω από 129 °C μπορεί να προκαλέσει έκρηξη.
- ζ. Τηρείτε όλες τις οδηγίες φόρτισης και μη φορτίζετε το πακέτο μπαταρίας ή το εργαλείο εκτός των ορίων θερμοκρασίας που ορίζονται στις προδιαγραφές.** Η ακατάλληλη φόρτιση ή η φόρτιση σε θερμοκρασίες εκτός των προβλεπόμενων ορίων μπορεί να προξενήσει ζημιά στην μπαταρία και να αυξήσει τον κίνδυνο φωτιάς.

## 6. Σέρβις

- α. Αναθέστε το σέρβις του ηλεκτρικού σας εργαλείου σε εξειδικευμένο τεχνικό επισκευών που χρησιμοποιεί μόνο γνήσια ανταλλακτικά.** Έτσι θα εξασφαλίσετε τη διατήρηση της ασφάλειας του ηλεκτρικού εργαλείου.
- β. Ποτέ μην κάνετε σέρβις σε πακέτα μπαταριών που έχουν υποστεί ζημιά.** Το σέρβις των πακέτων μπαταριών πρέπει να γίνεται μόνο από τον κατασκευαστή ή από εξουσιοδοτημένους παρόχους σέρβις.

## Πρόσθετες προειδοποιήσεις ασφαλείας για ηλεκτρικά εργαλεία



**Προειδοποίηση!** Πρόσθετες προειδοποιήσεις ασφαλείας για τριβεία

- ♦ Κρατάτε το ηλεκτρικό εργαλείο από μονωμένες επιφάνειες συγκράτησης όταν εκτελείτε κάποια εργασία κατά την οποία το αξεσουάρ γυαλοχαρτίσματος μπορεί να έρθει σε επαφή με κρυμμένα καλώδια. Αν το εξάρτημα γυαλοχαρτίσματος έρθει σε επαφή με ηλεκτροφόρο καλώδιο, μπορεί να καταστήσει ηλεκτροφόρο και τα εκτεθειμένα μεταλλικά

μέρη του ηλεκτρικού εργαλείου και να προκαλέσει ηλεκτροπληξία στο χειριστή του

- ◆ **Χρησιμοποιείτε σφιγκτήρες ή άλλο πρακτικό τρόπο για να στερεώνετε και να στηρίζετε το αντικείμενο εργασίας σε σταθερό υπόβαθρο.**

Αν κρατάτε το τεμάχιο εργασίας με το χέρι σας ή κόντρα στο σώμα σας, αυτό δεν είναι σταθερό και μπορεί να προκληθεί απώλεια ελέγχου.



**Προειδοποίηση!** Η επαφή με τη σκόνη ή η εισπνοή της σκόνης που δημιουργούν οι εφαρμογές γυαλοχάρτισματος μπορεί να ενέχουν κίνδυνο για την υγεία του χειριστή και των παρευρισκομένων. Φορέστε μάσκα σκόνης ειδικά σχεδιασμένη για προστασία από τη σκόνη και τις αναθυμιάσεις και βεβαιωθείτε ότι τα άτομα που βρίσκονται ή εισέρχονται στο χώρο εργασίας είναι επίσης προστατευμένα.

- ◆ Μετά το γυαλοχάρτισμα, καθαρίζετε καλά τη σκόνη.
- ◆ Να προσέχετε ιδιαίτερα κατά το γυαλοχάρτισμα χρωμάτων τα οποία ενδέχεται να έχουν ως βάση το μόλυβδο ή κατά το γυαλοχάρτισμα ορισμένων ειδών ξύλου και μετάλλου, τα οποία ενδέχεται να παράγουν τοξική σκόνη:
  - ◆ Μην αφήνετε παιδιά ή εγκύους να εισέρχονται στην περιοχή εργασίας.
  - ◆ Μην τρώτε, πίνετε ή καπνίζετε στο χώρο εργασίας.
  - ◆ Συγκεντρώστε όλη τη σκόνη και τα άλλα υπολείμματα και απορρίψτε τα με τον κατάλληλο τρόπο.
- ◆ Η προβλεπόμενη χρήση περιγράφεται στο παρόν χειριρίδιο οδηγιών. Η χρήση οποιοδήποτε αξεσουάρ ή προσαρτήματος ή η εκτέλεση με αυτό το εργαλείο οποιασδήποτε εργασίας διαφορετικής από αυτές που συνιστώνται στο παρόν χειριρίδιο οδηγιών ενδέχεται να εγκυμονεί κίνδυνο σωματικής βλάβης και/ή υλικών ζημιών.

## Ασφάλεια τρίτων

Σε καμία περίπτωση μην επιτρέψετε σε παιδιά, σε άτομα με μειωμένες σωματικές, αντιληπτικές ή διανοητικές ικανότητες ή με έλλειψη εμπειρίας και γνώσης ή σε άτομα μη εξοικειωμένα με τις παρούσες οδηγίες, να χρησιμοποιήσουν το μηχανήμα - τοπικοί κανονισμοί μπορεί να θέτουν όρια στην ηλικία του χειριστή.

## Υπολειπόμενοι κίνδυνοι.

Κατά τη χρήση του εργαλείου μπορεί να δημιουργηθούν πρόσθετοι υπολειπόμενοι κίνδυνοι, οι οποίοι ενδέχεται να μη συμπεριλαμβάνονται στις προειδοποιήσεις ασφαλείας που εσωκλείονται. Αυτοί οι κίνδυνοι μπορεί να προκληθούν από κακή χρήση, παρατεταμένη χρήση κλπ.

Παρά την εφαρμογή των σχετικών κανονισμών ασφαλείας και τη χρήση διατάξεων ασφαλείας, ορισμένοι υπολειπόμενοι

κίνδυνοι δεν είναι δυνατό να αποφευχθούν. Αυτοί περιλαμβάνουν:

- ◆ Τραυματισμούς από την επαφή με οποιαδήποτε περιστρεφόμενα/κινούμενα μέρη.
- ◆ Τραυματισμούς από αλλαγή οποιωνδήποτε εξαρτημάτων, λεπίδων ή αξεσουάρ.
- ◆ Τραυματισμούς από παρατεταμένη χρήση του εργαλείου. Όταν χρησιμοποιείτε οποιοδήποτε εργαλείο για παρατεταμένα χρονικά διαστήματα, μην παραλείπετε με κανένα τρόπο να κάνετε τακτικά διαλείμματα.
- ◆ Βλάβη της ακοής.
- ◆ Κινδύνους για την υγεία λόγω εισπνοής σκόνης που αναπτύσσεται κατά τη χρήση του εργαλείου (παράδειγμα:- εργασία με ξύλο, ειδικά βελανιδιά, οξιά και MDF.)

## Κραδασμοί

Η δηλωμένη τιμή εκπομπής κραδασμών που αναφέρεται στα τεχνικά χαρακτηριστικά και τη δήλωση συμμόρφωσης έχει μετρηθεί σύμφωνα με τυποποιημένο μέθοδο δοκιμής που προβλέπεται από το πρότυπο EN60745 και μπορεί να χρησιμοποιηθεί για τη σύγκριση ενός εργαλείου με ένα άλλο. Η δηλωμένη τιμή εκπομπής κραδασμών μπορεί επίσης να χρησιμοποιηθεί σε έναν προκαταρκτικό προσδιορισμό της έκθεσης σε κραδασμούς.

**Προειδοποίηση!** Στην πράξη, η τιμή εκπομπής κραδασμών κατά την χρήση του ηλεκτρικού εργαλείου μπορεί να διαφέρει από την τιμή που δηλώθηκε, ανάλογα με τον τρόπο που χρησιμοποιείται το εργαλείο. Το επίπεδο κραδασμών μπορεί να αυξηθεί πάνω από το επίπεδο που έχει δηλωθεί.

Κατά τον προσδιορισμό της έκθεσης σε κραδασμούς για τον καθορισμό των απαιτούμενων μέτρων ασφαλείας σύμφωνα με την οδηγία 2002/44/EK για την προστασία προσώπων που χρησιμοποιούν συχνά ηλεκτρικά εργαλεία στην εργασία τους, μια προσεγγιστική εκτίμηση της έκθεσης σε κραδασμούς πρέπει να λαμβάνει υπόψη τις πραγματικές συνθήκες χρήσης και τον τρόπο χρήσης του εργαλείου, συμπεριλαμβανομένων και όλων των επιμέρους τμημάτων του κύκλου εργασίας, όπως τα χρονικά διαστήματα που το εργαλείο ήταν εκτός λειτουργίας και τα διαστήματα λειτουργίας χωρίς φορτίο, επιπλέον του χρόνου πίεσης της σκανδάλης.

## Ετικέτες πάνω στο εργαλείο

Το εργαλείο φέρει τα παρακάτω εικονογράμματα μαζί με τον κωδικό ημερομηνίας:



**Προειδοποίηση!** Για να μειωθεί ο κίνδυνος τραυματισμού, ο χρήστης πρέπει να διαβάσει το χειριρίδιο οδηγιών.

## Πρόσθετες οδηγίες ασφαλείας για φορτιστές Μπαταρίες

- ◆ Ποτέ μην επιχειρήσετε να τις ανοίξετε, για κανένα λόγο.
- ◆ Μην εκθέτετε την μπαταρία σε νερό.
- ◆ Μην τις αποθηκεύετε σε θέσεις όπου η θερμοκρασία ενδέχεται να υπερβεί τους 40 °C.
- ◆ Να τις φορτίζετε μόνο σε θερμοκρασίες περιβάλλοντος μεταξύ 10 °C και 40 °C.
- ◆ Να τις φορτίζετε μόνο με τη χρήση του φορτιστή που παρέχεται με το εργαλείο.
- ◆ Κατά την απόρριψη μπαταριών, να ακολουθείτε τις οδηγίες που παρέχονται στην ενότητα "Προστασία του περιβάλλοντος".

## Φορτιστές

- ◆ Ο φορτιστής BLACK+DECKER πρέπει να χρησιμοποιείται αποκλειστικά και μόνο για τη φόρτιση της μπαταρίας του εργαλείου το οποίο συνοδεύει. Άλλες μπαταρίες ενδέχεται να εκραγούν, προκαλώντας τραυματισμό ατόμων και ζημιές.
- ◆ Μην επιχειρήσετε ποτέ να φορτίσετε μη επαναφορτιζόμενες μπαταρίες.
- ◆ Να φροντίζετε να αντικαθίστανται άμεσα τα καλώδια που έχουν υποστεί ζημιά.
- ◆ Μην εκθέτετε το φορτιστή σε νερό.
- ◆ Μην ανοίγετε το φορτιστή.
- ◆ Μην εισάγετε οποιαδήποτε αντικείμενα μέσα στο φορτιστή.



Ο φορτιστής προορίζεται για χρήση μόνο σε εσωτερικούς χώρους.



Διαβάστε το εγχειρίδιο οδηγιών πριν τη χρήση.

## Ασφαλής χρήση ηλεκτρικού ρεύματος



Ο φορτιστής σας φέρει διπλή μόνωση. Επομένως, δεν απαιτείται αγωγός γείωσης. Ελέγχετε πάντα ότι η τάση ρεύματος δικτύου συμφωνεί με αυτήν που αναγράφεται στην πινακίδα τεχνικών χαρακτηριστικών. Ποτέ μην επιχειρήσετε να αντικαταστήσετε τη μονάδα φορτιστή με κανονικό φως ρεύματος δικτύου.

- ◆ Αν το καλώδιο ρεύματος έχει υποστεί ζημιά, πρέπει να αντικατασταθεί από τον κατασκευαστή ή εξουσιοδοτημένο κέντρο BLACK+DECKER, για την αποφυγή κινδύνου.

## Χαρακτηριστικά

Αυτό το εργαλείο διαθέτει μερικά από ή όλα τα παρακάτω χαρακτηριστικά.

1. Λαβή
2. Κουμπί on/off (ενεργοποίησης/απενεργοποίησης)
3. Πέλμα για υαλοχαρτίσματος

4. Μπαταρία
5. Στόμιο εξαγωγής σκόνης
6. Φορτιστής

## Διαδικασία φόρτισης (Εικ. Α)

Οι φορτιστές Stanley FatMax έχουν σχεδιαστεί για φόρτιση των πακέτων μπαταριών Stanley FatMax.

- ◆ Συνδέστε το φορτιστή (6) σε κατάλληλη πρίζα πριν εισάγετε το πακέτο μπαταρίας (4).
- ◆ Εισάγετε το πακέτο μπαταρίας (4) στο φορτιστή (6) όπως δείχνει η Εικόνα Α.
- ◆ Η λυχνία LED (6a) θα αναβοσβήνει υποδεικνύοντας ότι η μπαταρία φορτίζεται.
- ◆ Η ολοκλήρωση της φόρτισης υποδεικνύεται από τη λυχνία LED (6a) η οποία παραμένει αναμμένη συνεχώς. Το πακέτο μπαταρίας είναι πλήρως φορτισμένο και μπορεί να χρησιμοποιηθεί άμεσα ή να παραμείνει στο φορτιστή.

**Σημείωση:** Επαναφορτίζετε τις αποφορτισμένες μπαταρίες το συντομότερο δυνατόν μετά τη χρήση τους, διαφορετικά μπορεί να μειωθεί πολύ η διάρκεια ζωής τους. Για τη μέγιστη διάρκεια ζωής των μπαταριών, μην τις αποφορτίζετε πλήρως. Συνιστάται να επαναφορτίζετε τις μπαταρίες μετά από κάθε χρήση.

## Παραμονή της μπαταρίας στο φορτιστή

Ο φορτιστής (6) και το πακέτο μπαταρίας (4) μπορούν να παραμείνουν σε σύνδεση επ' αόριστον, με τη λυχνία LED αναμμένη. Ο φορτιστής θα διατηρήσει το πακέτο μπαταρίας σε βέλτιστη κατάσταση και πλήρως φορτισμένο.

## Σημαντικές επισημάνσεις για τη φόρτιση

- ◆ Η μέγιστη διάρκεια ζωής και η βέλτιστη απόδοση μπορούν να επιτευχθούν αν το πακέτο μπαταρίας φορτίζεται όταν η θερμοκρασία περιβάλλοντος είναι μεταξύ 18 °C και 24 °C (65 °F έως 75 °F). ΜΗ φορτίζετε το πακέτο μπαταρίας σε θερμοκρασία περιβάλλοντος κάτω από +4,5 °C (+40 °F) ή πάνω από +40,5 °C (+105 °F). Αυτό είναι σημαντικό και θα αποτρέψει σοβαρή ζημιά στο πακέτο μπαταρίας.
- ◆ Ο φορτιστής και το πακέτο μπαταρίας μπορεί να θερμανθούν κατά τη φόρτιση. Αυτό είναι κανονικό φαινόμενο και όχι ένδειξη προβλήματος. Για να διευκολύνετε την ψύξη του πακέτου μπαταρίας μετά τη χρήση, αποφεύγετε να τοποθετείτε το φορτιστή ή το πακέτο μπαταρίας σε θερμό περιβάλλον, όπως σε μεταλλικό παράπηγμα ή σε μη μονωμένο τρέιλερ.
- ◆ Αν το πακέτο μπαταριών δεν φορτίζεται σωστά:
  - ◆ Ελέγξτε το ρεύμα συνδέοντας μία λάμπα ή άλλη ηλεκτρική συσκευή.
  - ◆ Ελέγξτε μήπως η πρίζα συνδέεται σε διακόπτη φώτων που διακόπτει το ρεύμα όταν σβήνετε τα φώτα.



- ◆ Μετακινήστε το φορτιστή και το πακέτο μπαταρίας σε θέση όπου η θερμοκρασία αέρα περιβάλλοντος είναι περίπου 18 °C - 24 °C (65 °F - 75 °F).
- ◆ Αν τα προβλήματα φόρτισης επιμένουν, παραδώστε το εργαλείο, το πακέτο μπαταρίας και το φορτιστή στο τοπικό σας κέντρο σέρβις.
- ◆ Το πακέτο μπαταρίας πρέπει να επαναφορτίζεται όταν δεν είναι σε θέση να παράγει επαρκή ισχύ σε εργασίες που γινόντουσαν εύκολα πιο πριν. ΜΗ ΣΥΝΕΧΙΣΕΤΕ τη χρήση υπό αυτές τις συνθήκες. Ακολουθήστε τη διαδικασία φόρτισης. Μπορείτε επίσης να φορτίσετε όποτε επιθυμείτε ένα πακέτο μπαταρίας που δεν έχει εξαντληθεί πλήρως, χωρίς αυτό να έχει αρνητικές συνέπειες στο πακέτο μπαταρίας.
- ◆ Τα ξένα υλικά με αγωγίμες ιδιότητες, όπως είναι, αλλά χωρίς περιορισμό σε αυτά, το σύρμα τριψίματος, το αλουμινόχαρτο ή οποιαδήποτε συσσώρευση μεταλλικών σωματιδίων, θα πρέπει να διατηρούνται μακριά από τις κοιλότητες του φορτιστή. Πάντα αποσυνδέετε το φορτιστή από την παροχή ρεύματος όταν δεν υπάρχει πακέτο μπαταρίας στην κοιλότητα. Αποσυνδέετε το φορτιστή από την πρίζα πριν επιχειρήσετε να τον καθαρίσετε.
- ◆ Μην παγώσετε ή βυθίσετε το φορτιστή σε νερό ή οποιοδήποτε άλλο υγρό.

**Προειδοποίηση!** Μην επιτρέψετε να εισέλθει οποιοδήποτε υγρό μέσα στο φορτιστή. Ποτέ μην επιχειρήσετε να ανοίξετε το πακέτο μπαταρίας για οποιοδήποτε λόγο. Αν το πλαστικό περιβλήμα του πακέτου μπαταρίας σπάσει ή ραγίσει, επιστρέψτε το πακέτο σε κέντρο σέρβις για ανακύκλωση.

### Διαγνωστικά φορτιστή (Εικ. Β)

Ανατρέξτε στις ενδεικτικές λυχνίες στην εικόνα Β σχετικά με την κατάσταση φόρτισης του πακέτου μπαταρίας.

### Προβληματική μπαταρία

Αν δείτε ένα μοτίβο αναλαμπών που αντιστοιχεί σε προβληματική μπαταρία, μη συνεχίσετε τη φόρτιση της μπαταρίας. Επιστρέψτε την σε κέντρο σέρβις ή σε θέση συλλογής για ανακύκλωση.

### Καθυστερήση θερμού/ψυχρού πακέτου μπαταρίας

Αν ο φορτιστής ανιχνεύσει πακέτο μπαταρίας με υπερβολικά υψηλή ή χαμηλή θερμοκρασία, ξεκινά αυτόματα μια Καθυστερήση θερμού/ψυχρού πακέτου μπαταρίας, αναστέλλοντας τη φόρτιση έως ότου το πακέτο μπαταρίας έχει φθάσει σε κατάλληλη θερμοκρασία. Κατόπιν, ο φορτιστής αρχίζει αυτόματα τη φόρτιση του πακέτου. Αυτή η λειτουργία διασφαλίζει τη μέγιστη διάρκεια ζωής του πακέτου μπαταρίας. Ένα κρύο πακέτο μπαταρίας θα φορτίζεται πιο αργά από ένα θερμό πακέτο μπαταρίας. Το πακέτο θα φορτιστεί με αυτή τη

μικρότερη ταχύτητα σε όλο τον κύκλο φόρτισης και δεν θα επιστρέψει στη μέγιστη ταχύτητα φόρτισης ακόμα και αν το πακέτο ζεσταθεί.

### Τοποθέτηση και αφαίρεση του πακέτου μπαταρίας από το εργαλείο Για να εγκαταστήσετε το πακέτο μπαταρίας (Εικ. C)

- ◆ Εισαγάγετε την μπαταρία (4) μέσα στο εργαλείο έως ότου ακούσετε χαρακτηριστικό ήχο κλικ (Εικόνα. C)
- ◆ Βεβαιωθείτε ότι το πακέτο μπαταρίας έχει εδράσει πλήρως και έχει ασφαλίσει πλήρως στη θέση του.

### Για να αφαιρέσετε το πακέτο μπαταρίας (Εικ. D)

- ◆ Πατήστε το κουμπί απελευθέρωσης της μπαταρίας (7) όπως δείχνει η εικόνα D και τραβήξτε το πακέτο μπαταρίας (4) έξω από το εργαλείο.

### Σύνδεση δίσκων γυαλοχαρτίσματος με σύστημα χριτς-χρατς (Εικ. Ε)

Για τα καλύτερα αποτελέσματα, χρησιμοποιείτε αξεσουάρ Stanley FatMax.

- ◆ Το τριβείο σας έχει σχεδιαστεί για χρήση είτε με γυαλόχαρτο καρβιδίου είτε με κανονικό γυαλόχαρτο με σχήμα απομάκρυνσης σκόνης 8 οπών.
- ◆ Για να συνδέσετε το δίσκο γυαλοχαρτίσματος (8), κεντράρετε τον προσεκτικά πάνω στο πέλμα λείανσης (3) εξασφαλίζοντας ότι οι οπές στο δίσκο ευθυγραμμίζονται με τις οπές στο πέλμα και πιέστε το δίσκο σταθερά στη θέση του.
- ◆ Ο δίσκος με το σύστημα σύνδεσης χριτς-χρατς μπορεί να αφαιρεθεί εύκολα, απλά με τράβηγμα. Μπορεί να επαναχρησιμοποιηθεί όπως χρειάζεται.

### Χρήση

**Προειδοποίηση!** Αφήστε το εργαλείο να λειτουργήσει με το δικό του ρυθμό. Μην το υπερφορτώνετε.

### Ενεργοποίηση και απενεργοποίηση (Εικ. F)

- ◆ Για να θέσετε το εργαλείο σε λειτουργία, πιέστε το διακόπτη on/off (2) στη θέση "I".
- ◆ Για να απενεργοποιήσετε το εργαλείο, πιέστε το διακόπτη on/off (2) στη θέση "O".

### Λειτουργία

Πιάστε το τριβείο όπως δείχνει η εικόνα G και ενεργοποιήστε το. Μετακινήστε το πάνω στην επιφάνεια με πλατιές κινήσεις σάρωσης, αφήνοντας το εργαλείο να κάνει την εργασία. Αν πιέζετε προς τα κάτω το εργαλείο ενώ γυαλοχαρτίζετε, απλά ο ρυθμός αφαιρέσεως υλικού μειώνεται και το αποτέλεσμα φινιρίσματος που παράγεται είναι υποδεέστερο. Ελέγχετε τακτικά την εργασία σας. Το τριβείο έχει τη

δυνατότητα να αφαιρεί ταχύτητα υλικό, ειδικά με χοντρό γυαλόχαρτο.

## Συλλογή της σκόνης

**Προειδοποίηση!** Η συλλεγόμενη σκόνη από το γυαλόχαρτισμα επιφανειακών επιστρώσεων (πολυουρεθάνης, λινελαίου κλπ.) μπορεί να αυταναφλεγεί και να προκαλέσει πυρκαγιά. Για να μειώσετε τον κίνδυνο, τηρείτε αυστηρά τις οδηγίες στο εγχειρίδιο του τριβείου και τις οδηγίες του παραγωγού της εκάστοτε επίστρωσης.

## Σύνδεση ηλεκτρικής σκούπας (εικ. Η)

- ◆ Εισαγάγετε τον εύκαμπτο σωλήνα (9) της ηλεκτρικής σκούπας στην έξοδο εξαγωγής σκόνης (5).

## Συντήρηση

Αυτό το εργαλείο έχει σχεδιαστεί έτσι ώστε να λειτουργεί για μεγάλο χρονικό διάστημα με την ελάχιστη δυνατή συντήρηση. Η συνεχής ικανοποιητική λειτουργία εξαρτάται από τη σωστή φροντίδα και τον τακτικό καθαρισμό του εργαλείου.

**Προειδοποίηση!** Πριν από κάθε εργασία συντήρησης, πρέπει να απενεργοποιείτε το εργαλείο και να το αποσυνδέετε από την πρίζα.

- ◆ Καθαρίζετε τακτικά τις εγχοπές εξαερισμού του εργαλείου με μια μαλακή βούρτσα ή με ένα στεγνό πανί.
- ◆ Να καθαρίζετε τακτικά το περιβλήμα του μοτέρ με ένα υγρό πανί. Μη χρησιμοποιείτε λειαντικά καθαριστικά ή υγρά καθαρισμού που περιέχουν διαλυτικά.

## Προστασία του περιβάλλοντος



Χωριστή συλλογή. Τα προϊόντα και οι μπαταρίες που επισημαίνονται με αυτό το σύμβολο δεν πρέπει να απορρίπτονται μαζί με τα κανονικά οικιακά απορρίμματα

Τα προϊόντα και οι μπαταρίες περιέχουν υλικά που μπορούν να ανακτηθούν ή να ανακυκλωθούν ώστε να μειωθούν οι ανάγκες για πρώτες ύλες.

Παρακαλούμε να ανακυκλώνετε τα ηλεκτρικά προϊόντα και τις μπαταρίες σύμφωνα με τους τοπικούς κανονισμούς. Περισσότερες πληροφορίες διατίθενται στον ιστότοπο [www.2helpU.com](http://www.2helpU.com)

## Τεχνικά δεδομένα

FMCW220		
Τάση εισόδου	V <sub>ac</sub>	18
Παλινδρομήσεις (χωρίς φορτίο)	min <sup>-1</sup>	12000
Ελλειπτικές κινήσεις (χωρίς φορτίο)	min <sup>-1</sup>	12000
Επιφάνεια βάσης γυαλοχαρτίσματος	mm <sup>2</sup>	12660
Βάρος	kg	1,02
Μπαταρία FMC687L		
Τάση	V <sub>DC</sub>	18
Χωρητικότητα	Ah	2,0
Τύπος		1
Φορτιστής 90608625		
Τάση εισόδου	V <sub>AC</sub>	230
Τάση εξόδου	V <sub>DC</sub>	18
Ρεύμα	mA	2000

L<sub>PA</sub> (ηχητική πίεση) 68 dB(A), Αβεβαιότητα (Κ) 3 dB(A)

L<sub>WA</sub> (ηχητική ισχύς) 79 dB(A), αβεβαιότητα (Κ) 3 dB(A)

Συνολικές τιμές κραδασμών (διανυσματικό άθροισμα τριών αξόνων) κατά EN 60745:

Τιμή εκπομπών κραδασμών:  
Κύρια λαβή (a<sub>h</sub>) 5,98 m/s<sup>2</sup>, αβεβαιότητα (Κ) 1,5 m/s<sup>2</sup> Βοηθητική λαβή (a<sub>h</sub>) 7,3 m/s<sup>2</sup>, αβεβαιότητα (Κ) 1,5 m/s<sup>2</sup>

## Δήλωση συμμόρφωσης ΕΚ

ΟΔΗΓΙΑ ΠΕΡΙ ΜΗΧΑΝΗΜΑΤΩΝ



## FMCW220 Ελλειπτικό τριβείο τυχαίας τροχιάς

H Stanley Europe δηλώνει ότι αυτά τα προϊόντα που περιγράφονται στα «τεχνικά δεδομένα» συμμορφώνονται με:  
2006/42/ΕΚ, EN60745-1:2009+A11:2010,  
EN60745-2-4:2009+A11:2011

Αυτά τα προϊόντα συμμορφώνονται και με την Οδηγία 2014/30/ΕΕ και 2011/65/ΕΕ. Για περισσότερες πληροφορίες, παρακαλείστε να επικοινωνήσετε με την Stanley Fat Max στην παρακάτω διεύθυνση ή να ανατρέξετε στο πίσω μέρος του εγχειριδίου.

Ο κάτωθι υπογεγραμμένος είναι υπεύθυνος για την κατάρτιση του τεχνικού φακέλου και δηλώνει τα παρόντα εκ μέρους της Stanley FatMax.



R. Laverick  
Διευθυντής Τμήματος Μηχανικής  
Stanley Europe, Egide Walschaertsstraat14-18,  
2800 Mechelen, Belgium  
22/08/2017

## Εγγύηση

Η Stanley Fat Max είναι σίγουρη για την ποιότητα των προϊόντων της και προσφέρει στους καταναλωτές εγγύηση 12 μηνών από την ημερομηνία αγοράς. Αυτή η εγγύηση συμπληρώνει και με κανένα τρόπο δεν παραβλάπτει τα νόμιμα δικαιώματά σας. Η εγγύηση ισχύει εντός της επικράτειας των χωρών μελών της Ευρωπαϊκής Ένωσης και της Ευρωπαϊκής Ζώνης Ελεύθερων Συναλλαγών.

Για να υποβάλετε αξίωση βάσει της εγγύησης, η αξίωση θα πρέπει να είναι σύμφωνη με τους Όρους και προϋποθέσεις της Stanley Fat Max και θα χρειαστεί να υποβάλετε την απόδειξη αγοράς στον πωλητή ή σε εξουσιοδοτημένο αντιπρόσωπο επισκευών.

Μπορείτε να αποκτήσετε τους Όρους και προϋποθέσεις της εγγύησης 1 ετών της Stanley Fat Max και να μάθετε την τοποθεσία του πλησιέστερου εξουσιοδοτημένου αντιπροσώπου επισκευών στο Internet στο [www.2helpU.com](http://www.2helpU.com), ή επικοινωνώντας με το τοπικό σας γραφείο Stanley Fat Max στη διεύθυνση που υποδεικνύεται στο παρόν εγχειρίδιο.

Επισκεφθείτε τον ιστότοπό μας [www.stanley.eu/3](http://www.stanley.eu/3) για να καταχωρίσετε το καινούργιο προϊόν Stanley Fat Max που αποκτήσατε και για να λαμβάνετε ενημερώσεις σχετικά με νέα προϊόντα και ειδικές προσφορές.

<b>België/Belgique</b>	Stanley Fat Max E. Walschaertstraat 14-16 2800 Mechelen Belgium	De. Tel. +32 70 220 065 Fr. Tel. +32 70 220 066 Fax +32 15 473 799 www.stanleytools.eu Enduser.be@SBDinc.com
<b>Danmark</b>	Stanley Fat Max Farveland 1B 2600 Glostrup	Tel. 70 20 15 10 Fax 70 22 49 10 www.stanleyworks.dk
<b>Deutschland</b>	Stanley Fat Max Richard Klinger Str. 11, D - 65510 Idstein	Tel. 06126 21-1 Fax 06126 21-2770
<b>Ελλάδα</b>	Stanley Fat Max. Στράβωνος 7 & Λεωφ. Βουλιαγμένης 159 Γλυφάδα 166 74 - Αθήνα	Τηλ. +30 210 8981-616 Φαξ +30 210 8983-285 www.stanleyworks.gr
<b>España</b>	Stanley Fat Max. Parc de Negocis "Mas Blau" Edificio Muntadas, c/Bergadá, 1, Of. A6 08820 El Prat de Llobregat (Barcelona)	Tel. 934 797 400 Fax 934 797 419 respuesta.postventa@sbdinc.com www.stanleyworks.es
<b>France</b>	Stanley Fat Max 5 allée des Hêtres B.P. 30084 69579 Limonest Cédex	Tel. 04 72 20 39 20 Fax 04 72 20 39 00 www.stanleyouillage.fr
<b>Helvetia</b>	Stanley Fat Max In der Luberzen 40 8902 Urdorf	Tel. 01 730 67 47 Fax 01 730 70 67 www.stanleyworks.de
<b>Italia</b>	Stanley Fat Max EnergyPark-Building 03 sud, Via Monza 7/A 20871 Vimercate (MB)	Tel. 039-9590200 Fax 039-9590313 www.stanley.it
<b>Nederland</b>	Stanley Fat Max Joulehof 12, 4600 RG Bergen op Zoom	Tel. +31 164 283 065 Fax +31 164 283 200 Enduser.NL@SBDinc.com
<b>Norge</b>	Stanley Fat Max Postboks 4613, Nydalen 0405 Oslo	Tlf. 45 25 13 00 Fax 45 25 08 00
<b>Österreich</b>	Stanley Fat Max Oberlaaerstraße 248, A-1230 Wien	Tel. 01 66116-0 Fax 01 66116-614 www.stanleyworks.de
<b>Portugal</b>	Stanley Fat Max Centro de Escritórios de Sintra Avenida Almirante Gago Coutinho, 132/134, Edifício 142710-418 Sintra 2710-418 Lisboa	Tel. 214667500 Fax 214667575 resposta.posvenda@sbdinc.com
<b>Suomi</b>	Stanley Fat Max Tekniikkatie 12, 02150 Espoo	Puh. 010 400 430 Faksi 0800 411 340 www.stanleyworks.fi
<b>Sverige</b>	Stanley Fat Max Box 94, 431 22 Mölndal	Tel. 031-68 61 00 Fax 031-68 60 08
<b>Türkiye</b>	Stanley Fat Max KALE Hırdavat ve Makina A.Ş. Defterdar Mah. Savaklar Cad. No:15 Edirnekapı / Eyüp / İSTANBUL 34050	Puh. 0212 533 52 55 Faks 0212 533 10 05 www.stanleyworks.fi
<b>United Kingdom</b>	Stanley Fat Max 210 Bath Road Slough, Berkshire SL1 3YD	Tel. +44 (0)1753 511234 Fax +44 (0)1753 551155 www.stanleytools.co.uk
<b>Middle East &amp; Africa</b>	Stanley Fat Max P.O.Box - 17164 Jebel Ali (South Zone), Dubai, UAE	Tel. +971 4 8127400 Fax +971 4 8127036 www.stanleyworks.ae