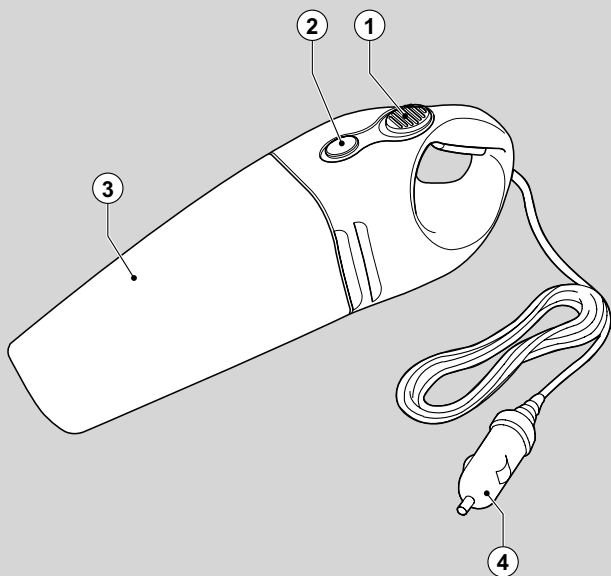




# BLACK & DECKER®

[www.blackanddecker.co.uk](http://www.blackanddecker.co.uk)

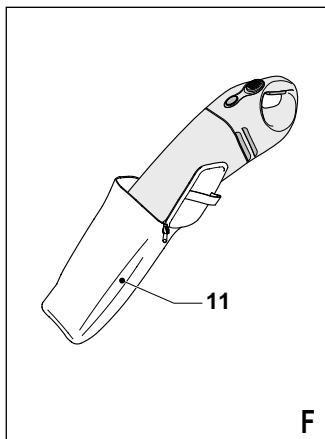
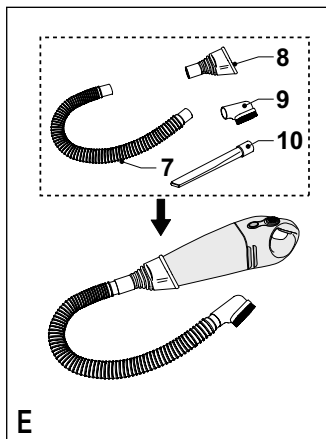
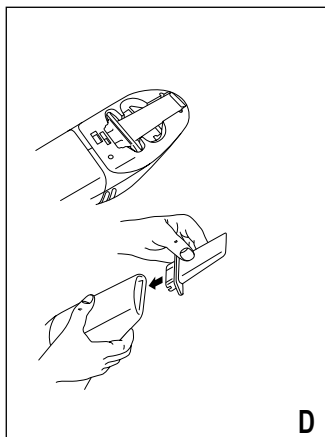
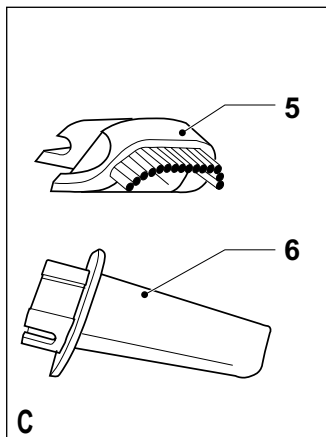
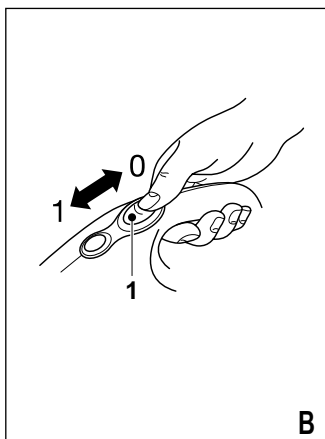
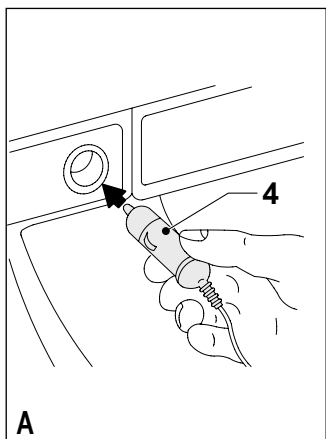


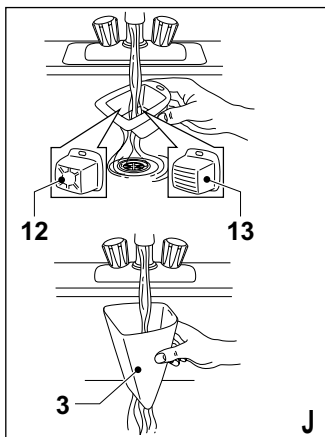
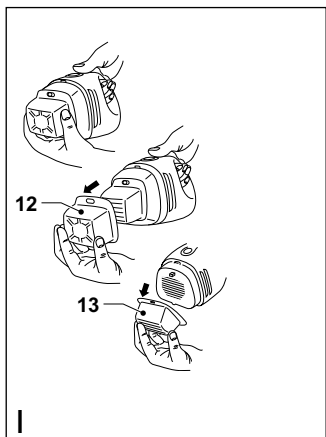
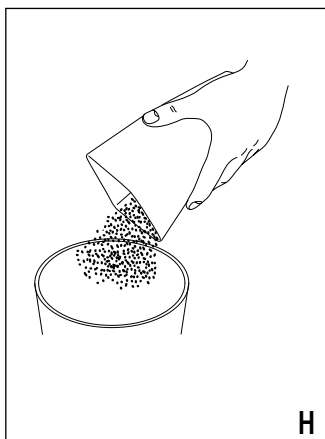
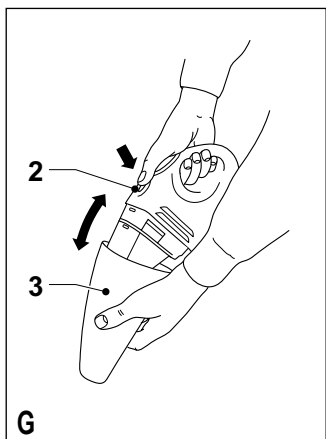
**UK**

**Ireland**

**Australia**

**New Zealand**





## Intended use

Your Black & Decker Dustbuster® auto car vacuum cleaner has been designed for light dry vacuum cleaning purposes. The appliance is powered from a car electrical system and connected by the cigarette lighter socket. This product is intended for domestic use only.

## Safety instructions

- ◆ **Warning!** When using electrical appliances, basic safety precautions, including the following, should always be followed to reduce the risk of fire, personal injury and material damage.
- ◆ Read all of this manual carefully before using the appliance.
- ◆ The intended use is described in this manual. The use of any accessory or attachment or the performance of any operation with this appliance other than those recommended in this instruction manual may present a risk of personal injury.
- ◆ Retain this manual for future reference.
- ◆ This appliance is not intended for use by persons (including children) with reduced physical, sensory or mental capabilities, or lack of experience and knowledge, unless they have been given supervision or instruction concerning use of the appliance by a person responsible for their safety.
- ◆ Children should be supervised to ensure that they do not play with the appliance.

## Using your appliance

- ◆ Do not use the appliance to pick up liquids or any materials that could catch fire.
- ◆ Do not use the appliance near flammable fumes.
- ◆ Do not use the appliance near water. Do not immerse the appliance in water.
- ◆ Never pull the power lead to disconnect the plug from the cigarette lighter socket. Keep the lead away from heat, oil and sharp edges.
- ◆ Be careful not to pinch the lead in the vehicle's doors, windows or levers.

## After use

- ◆ When not in use, the appliance should be stored in a dry place. Children should not have access to stored appliances.

## Inspection and repairs

- ◆ Before use, check the appliance for damaged or defective parts. Check for breakage of parts, damage to switches and any other conditions that may affect its operation. Regularly check the power lead for damage.
- ◆ Do not use the appliance if any part is damaged or defective.
- ◆ Have any damaged or defective parts including the power lead repaired or replaced by an authorised repair agent.
- ◆ The cigarette lighter connector houses an integral fuse. If fuse failure occurs, a replacement cord set must be used. Replacement of the cord set must only be performed by an authorised service agent.
- ◆ Never attempt to remove or replace any parts other than those specified in this manual.

## Electrical safety

The appliance is designed for use with 12 V negative ground vehicle battery systems.

The cigarette lighter connector is fitted with a non-serviceable safety fuse. The fuse may operate in the event of a fault. If this occurs, the fuse must be replaced together with the connector and cable by the manufacturer or an authorised Black & Decker Service Centre in order to avoid a hazard.

**Warning!** Do not operate the appliance with systems which have positive ground or a different voltage.

## Features

1. On/off switch
2. Release button
3. Dust bowl
4. Cigarette lighter connector

## Assembly

### Fitting the accessories (fig. C & D)

The appliance is supplied with the following accessories:

- ◆ a hard brush (5) for upholstery
- ◆ a crevice tool (6) for confined spaces

The accessories are stored beneath the rear of the appliance.

To fit an accessory, proceed as follows:

- ◆ Take the accessories from the appliance.
- ◆ Insert the appropriate accessory into the front of the appliance.

### AV1260 - Additional accessories (fig. E & F)

- ◆ an extension hose (7) and a hose connector (8)
- ◆ a brush (9) for carpets and upholstery
- ◆ an extended crevice tool (10) for the most difficult to reach areas

When not in use, the appliance and the accessories can be stored in the storage bag (11).

To fit an accessory, proceed as follows:

- ◆ Fit the hose connector onto the nose of the appliance.
- ◆ Attach one end of the hose to the connector.
- ◆ Attach the appropriate accessory to the other end of the hose.

## Use

### Connecting to the vehicle's power supply (fig. A)

- ◆ Make sure that the appliance is switched off.
- ◆ Remove the cigarette lighter from the socket.
- ◆ Plug the connector (4) into the cigarette lighter socket.

### Operating the appliance (fig. B)

- ◆ To switch on, slide the on/off switch (1) forward.
- ◆ To switch off, slide the on/off switch back.

The appliance can be used for periods of up to 30 minutes without noticeably affecting the power of a normally charged car battery in good condition.

**Warning!** Extended use will drain the battery power. Do not run the vehicle's engine while cleaning. This can shorten the life of the appliance.

## Troubleshooting

If the product does not work, follow the instructions below. If this does not solve the problem, please contact your local Black & Decker repair agent.

- ◆ Make sure the connector (4) is plugged into the cigarette lighter socket correctly.
- ◆ Make sure your vehicle battery system is of the 12 V negative ground type (see "Electrical safety").

## Cleaning and maintenance

**Warning!** Regularly clean the filters.

### Cleaning the dust bowl and filters (fig. H-K)

The filters are re-usable and should be cleaned regularly.

- ◆ Press the release button (2) and remove the dust bowl (3) (fig. G).
- ◆ Empty the dust bowl (fig. H).
- ◆ Remove the filters (12 & 13) by twisting them clockwise (fig. I).
- ◆ Brush any loose dust off the filters.
- ◆ Wash the filters in warm, soapy water (fig. J). The bowl can also be washed if necessary (fig. K).
- ◆ Make sure the dust bowl and filters are dry.
- ◆ Refit the filters (12 & 13) onto the appliance, twisting them counterclockwise until they lock into place.
- ◆ Refit the dust bowl onto the appliance. Make sure the dust bowl clicks into place.

**Warning!** Never use the appliance without the filters. Optimum dust collection will only be achieved with clean filters and an empty dust bowl.

## Replacing the filters

The filters should be replaced every 6 to 9 months and whenever worn or damaged. Replacement filters are available from your Black & Decker dealer (cat. no. VF20).

- ◆ Remove the old filters as described above.
- ◆ Fit the new filters as described above.

## Protecting the environment



Separate collection. This product must not be disposed of with normal household waste.

Should you find one day that your Black & Decker product needs replacement, or if it is of no further use to you, do not dispose of it with household waste. Make this product available for separate collection.



Separate collection of used products and packaging allows materials to be recycled and used again. Re-use of recycled materials helps prevent environmental pollution and reduces the demand for raw materials.

Local regulations may provide for separate collection of electrical products from the household, at municipal waste sites or by the retailer when you purchase a new product.

Black & Decker provides a facility for the collection and recycling of Black & Decker products once they have reached the end of their working life. To take advantage of this service please return your product to any authorised repair agent who will collect them on our behalf.

You can check the location of your nearest authorised repair agent by contacting your local Black & Decker office at the address indicated in this manual. Alternatively, a list of authorised Black & Decker repair agents and full details of our after-sales service and contacts are available on the Internet at: [www.2helpU.com](http://www.2helpU.com)

## Technical data

AV1210/AV1260	
Voltage	V 12
Weight	kg 0.96/1.26

## EC declaration of conformity

AV1210/AV1260

Black & Decker declares that these products conform to:  
98/37/EC

$L_{pA}$  (sound pressure): < 85 dB(A);  
hand/arm weighted vibration < 2.5 m/s<sup>2</sup>

The undersigned is responsible for compilation of the technical file and makes this declaration on behalf of Black & Decker.

Kevin Hewitt

Director of Consumer Engineering  
Spennymoor, County Durham DL16 6JG,  
United Kingdom  
28-5-2009

## Guarantee

Black & Decker is confident of the quality of its products and offers an outstanding guarantee. This guarantee statement is in addition to and in no way prejudices your statutory rights. The guarantee is valid within the territories of the Member States of the European Union and the European Free Trade Area.

If a Black & Decker product becomes defective due to faulty materials, workmanship or lack of conformity, within 24 months from the date of purchase, Black & Decker guarantees to replace defective parts, repair products subjected to fair wear and tear or replace such products to ensure minimum inconvenience to the customer unless:

- ◆ The product has been used for trade, professional or hire purposes;
- ◆ The product has been subjected to misuse or neglect;
- ◆ The product has sustained damage through foreign objects, substances or accidents;
- ◆ Repairs have been attempted by persons other than authorised repair agents or Black & Decker service staff.

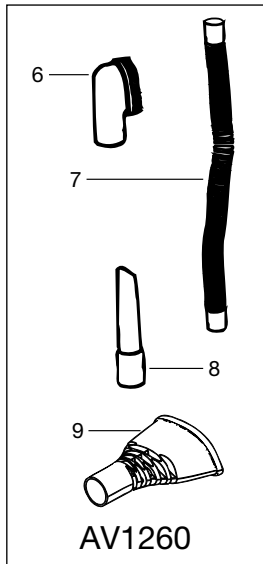
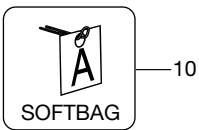
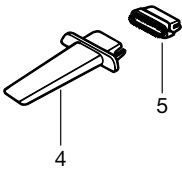
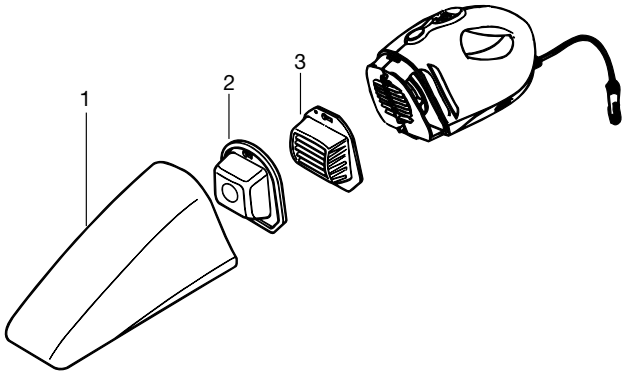
To claim on the guarantee, you will need to submit proof of purchase to the seller or an authorised repair agent. You can check the location of your nearest authorised repair agent by contacting your local Black & Decker office at the address indicated in this manual.

Alternatively, a list of authorised Black & Decker repair agents and full details of our after-sales service and contacts are available on the Internet at:

**[www.2helpU.com](http://www.2helpU.com)**

Please visit our website

**[www.blackanddecker.co.uk](http://www.blackanddecker.co.uk)** to register your new Black & Decker product and to be kept up to date on new products and special offers. Further information on the Black & Decker brand and our range of products is available at **[www.blackanddecker.co.uk](http://www.blackanddecker.co.uk)**











<b>Australia</b>	Black & Decker (Australia) Pty. Ltd. 20 Fletcher Road, Mooroolbark, Victoria, 3138	Tel. Fax	03-8720 5100 03-9727 594065
<b>New Zealand</b>	Black & Decker 5 Te Apunga Place Mt Wellington Auckland 1060	Tel. Fax	+64 9 259 1133 +64 9 259 1122
<b>United Kingdom</b>	Black & Decker 210 Bath Road Slough, Berkshire SL1 3YD	Tel. Fax Helpline	01753 511234 01753 551155 01753 574277