

EN

FR

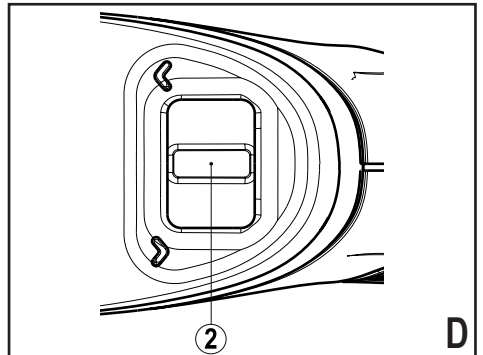
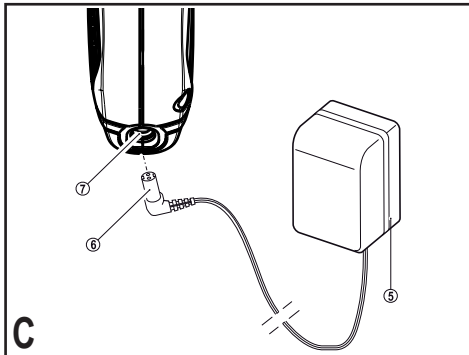
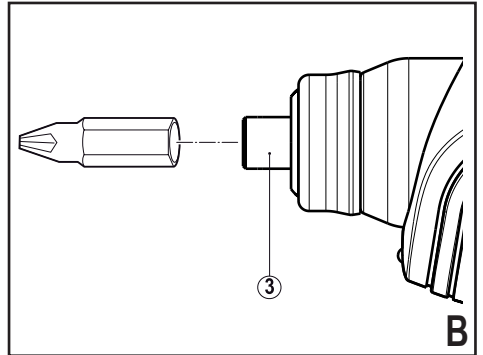
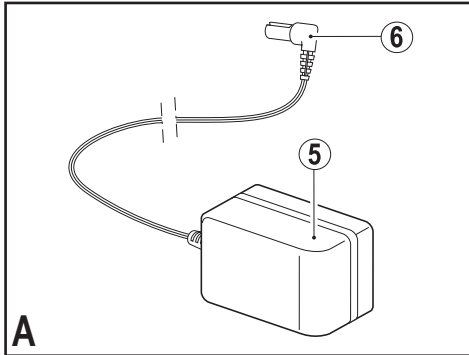
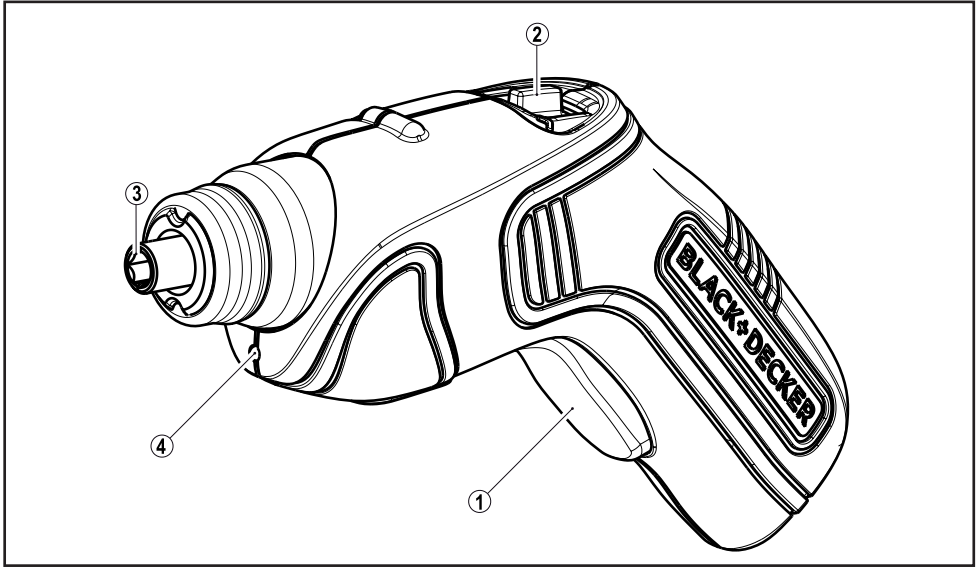
PT

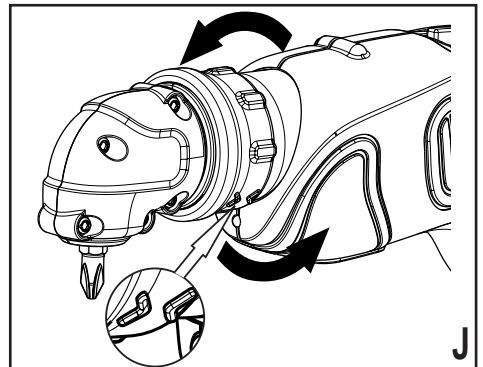
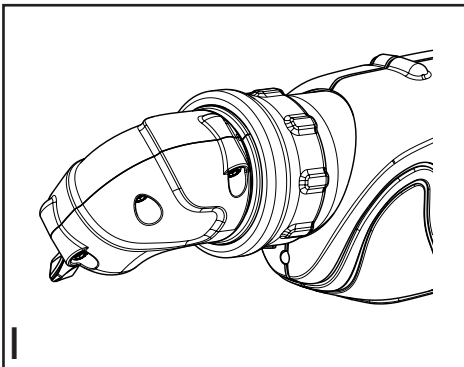
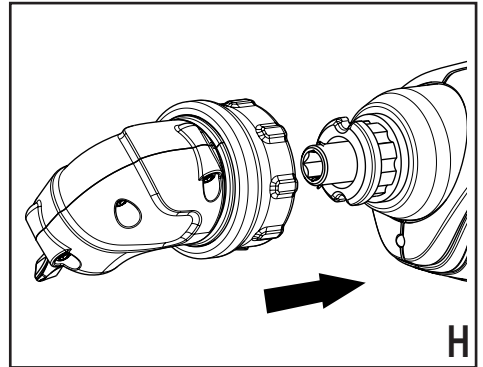
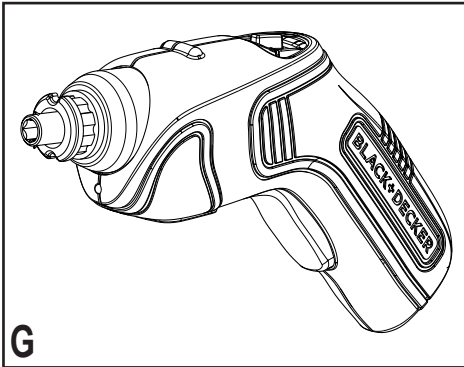
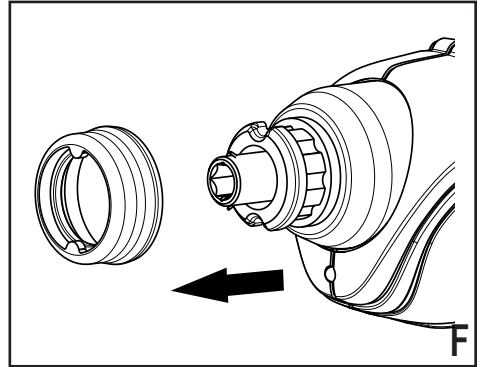
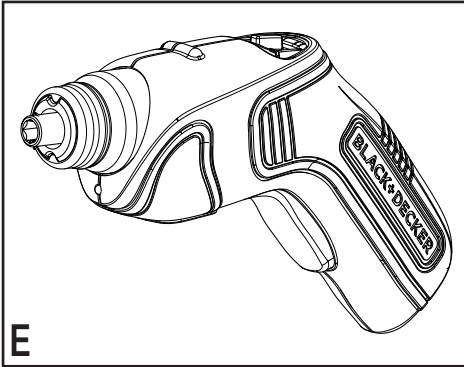
RU

TR

UA

AR





Intended use

Your BLACK+DECKER screwdriver has been designed for screwdriving applications. This tool is intended for consumer use only.

Safety instructions

General power tool safety warnings



Warning! Read all safety warnings and all instructions. Failure to follow the warnings and instructions listed below may result in electric shock, fire and/or serious injury.

Save all warnings and instructions for future reference. The term "power tool" in all of the warnings listed below refers to your mains operated (corded) power tool or battery operated (cordless) power tool.

1. Work area safety

- a. **Keep work area clean and well lit.**
Cluttered or dark areas invite accidents.
- b. **Do not operate power tools in explosive atmospheres, such as in the presence of flammable liquids, gases or dust.** Power tools create sparks which may ignite the dust or fumes.
- c. **Keep children and bystanders away while operating a power tool.**
Distractions can cause you to lose control.

2. Electrical safety

- a. **Power tool plugs must match the outlet. Never modify the plug in any way. Do not use any adapter plugs with earthed (grounded) power tools.** Unmodified plugs and matching outlets will reduce risk of electric shock.
- b. **Avoid body contact with earthed or grounded surfaces such as pipes, radiators, ranges and refrigerators.**
There is an increased risk of electric shock if your body is earthed or grounded.

- c. **Do not expose power tools to rain or wet conditions.** Water entering a power tool will increase the risk of electric shock.
- d. **Do not abuse the cord. Never use the cord for carrying, pulling or unplugging the power tool. Keep cord away from heat, oil, sharp edges or moving parts.**
Damaged or entangled cords increase the risk of electric shock.
- e. **When operating a power tool outdoors, use an extension cord suitable for outdoor use.** Use of a cord suitable for outdoor use reduces the risk of electric shock.
- f. **If operating a power tool in a damp location is unavoidable, use a residual current device (RCD) protected supply.** Use of an RCD reduces the risk of electric shock.

3. Personal safety

- a. **Stay alert, watch what you are doing and use common sense when operating a power tool. Do not use a power tool while you are tired or under the influence of drugs, alcohol or medication.** A moment of inattention while operating power tools may result in serious personal injury.
- b. **Use personal protective equipment. Always wear eye protection.** Protective equipment such as dust mask, non-skid safety shoes, hard hat, or hearing protection used for appropriate conditions will reduce personal injuries.
- c. **Prevent unintentional starting. Ensure the switch is in the off-position before connecting to power source and/or battery pack, picking up or carrying the tool.** Carrying power tools with your finger on the switch or energising power tools that have the switch on invites accidents.
- d. **Remove any adjusting key or wrench before turning the power tool on.** A wrench or a key left attached to a rotating part of the power tool may result in personal injury.

- e. Do not overreach. Keep proper footing and balance at all times.** This enables better control of the power tool in unexpected situations.
- f. Dress properly. Do not wear loose clothing or jewellery. Keep your hair, clothing and gloves away from moving parts.** Loose clothes, jewellery or long hair can be caught in moving parts.
- g. If devices are provided for the connection of dust extraction and collection facilities, ensure these are connected and properly used.** Use of dust collection can reduce dust-related hazards.
- 4. Power tool use and care**
- a. Do not force the power tool. Use the correct power tool for your application.** The correct power tool will do the job better and safer at the rate for which it was designed.
- b. Do not use the power tool if the switch does not turn it on and off.** Any power tool that cannot be controlled with the switch is dangerous and must be repaired.
- c. Disconnect the plug from the power source and/or the battery pack from the power tool before making any adjustments, changing accessories, or storing power tools.** Such preventive safety measures reduce the risk of starting the power tool accidentally.
- d. Store idle power tools out of the reach of children and do not allow persons unfamiliar with the power tool or these instructions to operate the power tool.** Power tools are dangerous in the hands of untrained users.
- e. Maintain power tools. Check for misalignment or binding of moving parts, breakage of parts and any other condition that may affect the power tools operation. If damaged, have the power tool repaired before use.** Many accidents are caused by poorly maintained power tools.
- f. Keep cutting tools sharp and clean.** Properly maintained cutting tools with sharp cutting edges are less likely to bind and are easier to control.
- g. Use the power tool, accessories and tool bits etc. in accordance with these instructions, taking into account the working conditions and the work to be performed.** Use of the power tool for operations different from those intended could result in a hazardous situation.
- 5. Battery tool use and care**
- a. Recharge only with the charger specified by the manufacturer.** A charger that is suitable for one type of battery pack may create a risk of fire when used with another battery pack.
- b. Use power tools only with specifically designated battery packs.** Use of any other battery packs may create a risk of injury and fire.
- c. When battery pack is not in use, keep it away from other metal objects, like paper clips, coins, keys, nails, screws, or other small metal objects, that can make a connection from one terminal to another.** Shorting the battery terminals together may cause burns or a fire.
- d. Under abusive conditions, liquid may be ejected from the battery; avoid contact. If contact accidentally occurs, flush with water. If liquid contacts eyes, additionally seek medical help.** Liquid ejected from the battery may cause irritation or burns.
- 6. Service**
- a. Have your power tool serviced by a qualified repair person using only identical replacement parts.** This will ensure that the safety of the power tool is maintained.
- Additional power tool safety warnings**



Warning! Additional safety warnings for screwdrivers and impact wrenches

- **Wear ear protectors with impact drills.** Exposure to noise can cause hearing loss.
- **Use auxiliary handles supplied with the tool.** Loss of control can cause personal injury.
- **Hold power tool by insulated gripping surfaces, when performing an operation where the fastener may contact hidden wiring.** Fasteners contacting a "live" wire may make exposed metal parts of the power tool "live" and could give the operator an electric shock.
- **Use clamps or another practical way to secure and support the workpiece to a stable platform.** Holding the work by hand or against your body leaves it unstable and may lead to loss of control.
- The intended use is described in this instruction manual. The use of any accessory or attachment or performance of any operation with this tool other than those recommended in this instruction manual may present a risk of personal injury and/or damage to property.



Warning! Impact wrenches are not torque wrenches. Do not use this tool for tightening fasteners to specified torques. An independent, calibrated torque measurement device such as a torque wrench should be used when under tightened or over tightened fasteners can lead to the failure of the joint.

Safety of others

- This appliance is not intended for use by persons (including children) with reduced physical, sensory or mental capabilities, or lack of experience and knowledge, unless they have been given supervision or instruction concerning use of the appliance by a person responsible for their safety.
- Children should be supervised to ensure that they do not play with the appliance.

Residual risks

Additional residual risks may arise when using the tool which may not be included in the enclosed safety warnings. These risks can arise from misuse, prolonged use etc.

Even with the application of the relevant safety regulations and the implementation of safety devices, certain residual risks can not be avoided. These include:

- Injuries caused by touching any rotating/moving parts.
- Injuries caused when changing any parts, blades or accessories.
- Injuries caused by prolonged use of a tool. When using any tool for prolonged periods ensure you take regular breaks.
- Impairment of hearing.
- Health hazards caused by breathing dust developed when using your tool (example:- working with wood, especially oak, beech and MDF.)

Vibration

The declared vibration emission values stated in the technical data and the declaration of conformity have been measured in accordance with a standard test method provided by EN 60745 and may be used for comparing one tool with another. The declared vibration emission value may also be used in a preliminary assessment of exposure.

Warning! The vibration emission value during actual use of the power tool can differ from the declared value depending on the ways in which the tool is used. The vibration level may increase above the level stated.

When assessing vibration exposure to determine safety measures required by 2002/44/EC to protect persons regularly using power tools in employment, an estimation of vibration exposure should consider, the actual conditions of use and the way the tool is used, including taking account of all parts of the operating cycle such as the times when the tool is switched off and when it is running idle in addition to the trigger time.

Labels on tool

The following symbols are shown on the tool:



Warning! To reduce the risk of injury, the user must read the instruction manual.

Additional safety instructions for batteries and chargers

Batteries

- Never attempt to open for any reason.
- Do not expose the battery to water.
- Do not store in locations where the temperature may exceed 40 °C
- Charge only at ambient temperatures between 10 °C and 40 °C.
- Charge only using the charger provided with the tool.
- When disposing of batteries, follow the instructions given in the section "Protecting the environment".

Chargers

- Use your BLACK+DECKER charger only to charge the battery in the tool with which it was supplied. Other batteries could burst, causing personal injury and damage.
- Never attempt to charge non-rechargeable batteries.
- Have defective cords replaced immediately.
- Do not expose the charger to water.
- Do not open the charger.
- Do not probe the charger.



The charger is intended for indoor use only.



Read the instruction manual before use.



Fail safe isolating transformer. The mains supply is electrically separated from the transformer output.



The charger automatically shuts off if the ambient temperature becomes too high. As a consequence the charger will be inoperable. The unit must be disconnected from the mains supply and taken to an authorised service centre for repair.

Electrical safety



Your charger is double insulated; therefore no earth wire is required. Always check that the mains voltage corresponds to the voltage on the rating plate. Never attempt to replace the charger unit with a regular mains plug.

- If the supply cord is damaged, it must be replaced by the manufacturer or an authorised BLACK+DECKER Service Centre in order to avoid a hazard.

Warning! Never attempt to replace the charger unit with a regular mains plug.

Features

This tool includes some or all of the following features.

1. On/off switch
2. Forward/reverse slider
3. Bit holder
4. LED work light
5. Charger
6. Charger plug
7. Charging connector

Assembly

Fitting and removing a drill bit or a screwdriver bit (fig. B)

This tool uses screwdriver bits and drill bits with a 6.35 mm (1/4") hexagonal shank.

- To fit a bit, insert the bit shaft into the bit holder (3).
- To remove a bit, pull the bit shaft out of the bit holder (3).

Note: The right angled attachment shown in fig. E-J may not be included with your tool.

Use

Warning! Let the tool work at its own pace. Do not overload.

- Before first use, the battery must be charged for at least 15 hours.

Charging the battery (fig. C)

- Insert the charger plug (6) into the charger connector (7).
- Plug in the charger (5).
- Leave the tool connected to the charger for 15 hours.

The charger may hum and become warm while charging; this is normal and does not indicate a problem.

Warning! Only use the charger provided to charge CS3651LC.

Warning! Do not charge the battery at ambient temperatures below 10 °C or above 40 °C.

Selecting the direction of rotation (fig. D)

For drilling and for tightening screws, use forward rotation. For loosening screws or removing a jammed drill bit, use reverse rotation.

- To select forward rotation, push the forward/reverse slider (2) to the forward position.

- To select reverse rotation, push the forward/reverse slider (2) to the rearward position.
- To lock the tool, set the forward/reverse slider into the centre position.

Drilling/screwdriving

- Select forward or reverse rotation using the forward/reverse slider (2).
- To switch the tool on, press the on/off switch (1).
- To switch the tool off, release the on/off switch (1).

LED work light

The LED work light (4) is activated automatically when the trigger is depressed. The LED will also illuminate when the trigger is depressed and the forward/reverse slider (2) is in the locked off position (central position).

Hints for optimum use

Screwdriving

- Always use the correct type and size of screwdriver bit.
- If screws are difficult to tighten, try applying a small amount of washing liquid or soap as a lubricant.
- Use the spindle lock to loosen very tight screws or to firmly tighten screws.
- Always hold the tool and screwdriver bit in a straight line with the screw.
- When screwing in wood, it is recommended to drill a pilot hole with a depth equal to the length of the screw. A pilot hole guides the screw and prevents splintering or distortion of the wood. For the optimum size of the pilot hole, refer to the table below.
- When screwing in hardwood, also drill a clearance hole with a depth equal to half the length of the screw. For the optimum size of the clearance hole, refer to the table below.

Screw size	Pilot hole \varnothing (softwood)	Pilot hole \varnothing (hardwood)	Clearance hole
No. 6 (3.5 mm)	2.0 mm	2.5 mm	3.6 mm
No. 8 (4 mm)	2.5 mm	3.0 mm	4.5 mm
No. 10 (5 mm)	3.0 mm	3.5 mm	5.0 mm

Drilling pilot holes

- Always apply a light pressure in a straight line with the drill bit.
- Just before the drill tip breaks through the other side of the workpiece, decrease pressure on the tool.
- Use a block of wood to back up workpieces that may splinter.
- Make an indentation using a centre punch at the centre of the hole to be drilled in order to improve accuracy.

Accessories

The performance of your tool depends on the accessory used. BLACK+DECKER and Piranha accessories are engineered to high quality standards and designed to enhance the performance of your tool. By using these accessories you will get the very best from your tool. This tool uses screwdriver bits with a 1/4" (6.35 mm) hexagonal shank. Piranha Super-lok accessories are designed for use with this tool.

Maintenance

Your BLACK+DECKER tool has been designed to operate over a long period of time with a minimum of maintenance. Continuous satisfactory operation depends upon proper tool care and regular cleaning.

Your charger does not require any maintenance apart from regular cleaning.

Warning! Before performing any maintenance on the tool, unplug the charger before cleaning it.

- Regularly clean the ventilation slots in

your tool and charger using a soft brush or dry cloth.

- Regularly clean the motor housing using a damp cloth. Do not use any abrasive or solvent-based cleaner.
- Regularly open the chuck and tap it to remove any dust from the interior.

Batteries



There are no user servicable parts inside.

- At the end of your products life return the whole unit to your service agent or to a local recycling station to have the battery recycled. Do not throw the unit out with household waste.

Technical data

CS3651LC (H1)		
Voltage	V_{DC}	3.6
No-load speed	min^{-1}	180
Hard stall torque	Nm	5.84
Max. torque	Nm	5.0
Bit holder	mm	6.35 (1/4")
Weight	kg	0.32

Battery 906146** H1		
Voltage	V	3.6
Battery type		Li-Ion
AHr rating		1.5

Charger 905450** H1		
Voltage	V_{AC}	230
Approx. charge time	h	15
Weight	kg	0.14

Level of sound pressure according to EN 60745:	
Sound pressure (L_{pA})	60 dB(A), uncertainty (K) 3 dB(A)
Sound power (L_{WA})	71 dB(A), uncertainty (K) 3 dB(A)

Vibration total values (triax vector sum) according to EN 60745:	
Screwdriving without impact ($a_{h,15}$)	0.3 m/s^2 , uncertainty (K) 1.5 m/s^2

EC declaration of conformity
MACHINERY DIRECTIVE

Black & Decker declares that these products described under "technical data" are in compliance with:
2006/42/EC, EN 60745-1, EN 60745-2-2

These products also comply with Directive 2014/30/EU and 2011/65/EU. For more information, please contact Black & Decker at the following address or refer to the back of the manual.

The undersigned is responsible for compilation of the technical file and makes this declaration on behalf of Black & Decker.

R. Laverick
Engineering Manager
Black & Decker Europe, 210 Bath Road, Slough,
Berkshire, SL1 3YD
United Kingdom
29/10/2014

Protecting the environment



Separate collection. This product must not be disposed of with normal household waste.

Should you find one day that your BLACK+DECKER product needs replacement, or if it is of no further use to you, do not dispose of it with household waste. Make this product available for separate collection.



Separate collection of used products and packaging allows materials to be recycled and used again. Reuse of recycled materials helps prevent environmental pollution and reduces the demand for raw materials.

Local regulations may provide for separate collection of electrical products from the household, at municipal waste sites or by the retailer when you purchase a new product.

BLACK+DECKER provides a facility for the collection and recycling of BLACK+DECKER products once they have reached the end of their working life. To take advantage of this service please return your product to any authorised repair agent who will collect them on our behalf.

You can check the location of your nearest authorised repair agent by contacting your local BLACK+DECKER office at the address indicated in this manual. Alternatively, a list of authorised BLACK+DECKER repair agents and full details of our after-sales service and contacts are available on the Internet at: www.2helpU.com.

Guarantee

Black + Decker is confident of the quality of its products and offers an outstanding guarantee. This guarantee statement is in addition to and in no way prejudices your statutory rights. The guarantee is valid within the territories of the Member States of the European Union and the European Free Trade Area.

If a Black + Decker product becomes defective due to faulty materials, workmanship or lack of conformity, within 24 months from the date of purchase, BLACK+DECKER guarantees to replace defective parts, repair products subjected to fair wear and tear or replace such products to make sure of the minimum inconvenience to the customer unless:

- The product has been used for trade, professional or hire purposes.
- The product has been subjected to misuse or neglect.
- The product has sustained damage through foreign objects, substances or accidents.
- Repairs have been attempted by persons other than authorised repair agents or Black + Decker service staff.

To claim on the guarantee, you will need to submit proof of purchase to the seller or an authorised repair agent. You can check the location of your nearest authorised repair agent by contacting your local BLACK+DECKER office at the address indicated in this manual. Alternatively, a list of authorised BLACK+DECKER repair agents and full details of our aftersales service and contacts are available on the Internet at: www.2helpU.com

Please visit our website www.blackanddecker.co.uk to register your new Black + Decker product and to be kept up to date on new products and special offers. Further information on the Black + Decker brand and our range of products is available at www.blackanddecker.co.uk.

Usage prévu

Votre tournevis BLACK+DECKER a été spécialement conçu pour les travaux de vissage. Cet outil est destiné à une utilisation exclusivement domestique.

Consignes de sécurité

Consignes de sécurité concernant les outils électroportatifs



Attention ! Lisez avec attention tous les avertissements et toutes les instructions. Le non-respect de cette consigne peut entraîner une électrocution, un incendie et/ou de graves blessures.

Conservez tous les avertissements et instructions pour référence ultérieure. La notion d'« outil électroportatif » mentionnée par la suite se rapporte à des outils électriques raccordés au secteur (avec câble de raccordement) ou fonctionnant avec piles (sans fil).

1. Sécurité de la zone de travail

- a. **Maintenez la zone de travail propre et bien éclairée.** Un lieu de travail en désordre ou mal éclairé augmente le risque d'accidents.
- b. **N'utilisez pas les outils électroportatifs dans un environnement présentant des risques d'explosion ni en présence de liquides, gaz ou poussières inflammables.** Les outils électroportatifs génèrent des étincelles risquant d'enflammer les poussières ou les vapeurs.
- c. **Tenez les enfants et autres personnes éloignés durant l'utilisation de l'outil électroportatif.** En cas d'inattention, vous risquez de perdre le contrôle.

2. Sécurité électrique

- a. **La prise de l'outil électroportatif doit être compatible avec la prise d'alimentation. Ne modifiez en aucun cas la prise. N'utilisez pas de prises d'adaptateur avec des appareils ayant une prise de terre.** Le respect de ces consignes réduit le risque de choc électrique.
- b. **Évitez le contact physique avec des surfaces mises à la terre telles que tuyaux, radiateurs, fours et réfrigérateurs.** Il y a un risque élevé de choc électrique si votre corps est relié à la terre.
- c. **N'exposez pas l'outil électroportatif à la pluie ou à l'humidité.** La pénétration d'eau dans un outil électroportatif augmente le risque de choc électrique.
- d. **Préservez le câble d'alimentation. N'utilisez pas le câble pour porter l'outil. Ne le tirez pas pour le débrancher. Maintenez le câble éloigné des sources de chaleurs, des parties huilées, des bords tranchants ou des parties de l'appareil en rotation.** Le risque de choc électrique augmente si les câbles sont endommagés ou emmêlés.
- e. **Si vous utilisez l'outil électroportatif à l'extérieur, utilisez une rallonge homologuée pour une utilisation à l'extérieur.** L'utilisation d'une rallonge électrique homologuée pour les travaux à l'extérieur réduit le risque de choc électrique.
- f. **Si l'outil doit être utilisé dans un endroit humide, prenez les précautions nécessaires en utilisant un dispositif à courant résiduel (RCD).** L'utilisation d'un tel dispositif réduit les risques d'électrocution.

3. Sécurité personnelle

- a. **Restez vigilant, surveillez ce que vous faites. Faites preuve de bon sens quand vous utilisez un outil électroportatif.**

N'utilisez pas l'outil lorsque vous êtes fatigué ou après avoir consommé de l'alcool ainsi que des médicaments. Un moment d'inattention lors de l'utilisation de l'outil peut entraîner de graves blessures.

- b. **Portez un équipement de protection.**

Portez toujours des lunettes de protection. Selon le travail à effectuer, le port d'équipement de protection tels que masque anti-poussières, chaussures de sécurité antidérapantes, casque ou protection auditive, réduit le risque de blessures.

- c. **Évitez un démarrage imprévu. L'outil doit être en position OFF (arrêt) avant d'effectuer le branchement à l'alimentation et/ou au bloc-batterie, de le ramasser ou de le porter.**

Ne laissez pas votre doigt sur le bouton de commande en le transportant. N'alimentez pas l'outil si le bouton est activé. Ceci pourrait être à l'origine d'accident.

- d. **Enlevez tout outil ou clé de réglage avant de mettre l'appareil en marche.**

Une clé ou un outil se trouvant sur une pièce en rotation peut causer des blessures.

- e. **Adoptez une position confortable. Adoptez une position stable et gardez votre équilibre en permanence.**

Vous contrôlerez mieux l'outil dans des situations inattendues.

- f. **Portez des vêtements appropriés. Ne portez pas de vêtements amples ou de bijoux. N'approchez pas les cheveux,**

vêtements ou gants des parties des pièces mobiles. Les vêtements amples, les bijoux ou les cheveux longs peuvent s'accrocher dans les pièces en mouvement.

- g. **En cas d'utilisation d'appareils servant à aspirer ou à recueillir les poussières, assurez-vous qu'ils sont correctement raccordés et utilisés.** L'utilisation de tels appareils réduit les dangers dus aux poussières.

4. Utilisation des outils électroportatifs et précautions

- a. **Respectez la capacité de l'outil. Utilisez l'outil électroportatif correspondant au travail à effectuer.** Avec un outil approprié, vous travaillerez mieux et en toute sécurité.

- b. **N'utilisez pas un outil électroportatif dont l'interrupteur est défectueux.** Un outil électrique qui ne répond pas à la commande marche/arrêt est dangereux et doit être réparé.

- c. **Retirez la prise de courant et/ou débranchez le bloc-batterie avant d'effectuer des réglages, de changer les accessoires ou de ranger l'outil.** Cette mesure de précaution empêche de mettre l'outil en marche accidentellement.

- d. **Rangez les outils électroportatifs hors de portée des enfants. Les personnes ne connaissant pas l'outil ou n'ayant pas lu ces instructions ne doivent en aucun cas l'utiliser.** Les outils électroportatifs sont dangereux lorsqu'ils sont utilisés par des personnes non initiées.

- e. **Entretenez les outils électroportatifs. Vérifiez que les parties mobiles fonctionnent correctement et qu'elles ne sont pas coincées. Vérifiez qu'il n'y a pas**

de pièces cassées ou endommagées susceptibles de nuire au bon fonctionnement de l'outil. S'il est endommagé, faites réparer l'outil avant de l'utiliser. De nombreux accidents sont dus à des outils électroportatifs mal entretenus.

- f. Maintenez les outils de coupe aiguisés et propres.** Des outils soigneusement entretenus avec des bords tranchants bien aiguisés se coincent moins souvent et peuvent être guidés plus facilement.
- g. Utilisez les outils électroportatifs, les accessoires, etc., en suivant ces instructions et en tenant compte des conditions de travail, ainsi que du travail à effectuer.** L'utilisation des outils électroportatifs à d'autres fins que celles prévues peut vous mettre en situation dangereuse.

5. Utilisation de la batterie et précautions

- a. Ne rechargez qu'avec le chargeur proposé par le fabricant.** Un chargeur destiné à un type de bloc-batteries risque de provoquer des incendies s'il est utilisé avec un bloc-batteries différent.
- b. N'utilisez pas les appareils électroportatifs qu'avec le bloc-batterie approprié.** L'utilisation d'un autre bloc-batteries peut provoquer des blessures ou être à l'origine d'un feu.
- c. Quand le bloc-batterie n'est pas utilisé, éloignez-le d'objets en métal comme des agrafes, des pièces, des clés, des clous, des vis ou autres petits objets qui pourraient établir une connexion d'une borne à l'autre.** Un tel court-circuit peut être à l'origine d'un feu ou de brûlures.
- d. En cas d'utilisation excessive, le liquide peut sortir de la batterie ; évitez tout**

contact. Si vous n'avez pu éviter le contact, rincez à l'eau. En cas de contact avec les yeux, consultez un médecin. Le liquide sortant des batteries peut causer des irritations ou des brûlures.

6. Réparations

- a. Faites réparer votre outil électroportatif uniquement par du personnel qualifié et seulement avec des pièces de rechange appropriées.** Cela garantira le maintien de la sécurité de votre outil.

Consignes de sécurité supplémentaires concernant les outils électroportatifs



Attention ! Prendre encore plus de précautions avec les tournevis sans fil et les clés à chocs

- **Portez un serre-tête antibruit si vous utilisez une perceuse à percussion.** L'exposition au bruit peut entraîner la perte de l'ouïe.
- **Utilisez les poignées auxiliaires livrées avec l'outil.** La perte de contrôle peut entraîner des blessures.
- **Tenez l'outil électrique au niveau des surfaces de prise isolées lorsque vous l'utilisez à des endroits où la fixation pourrait entrer en contact avec des fils cachés..** En touchant un fil sous tension, la charge électrique passe dans les parties métalliques de l'outil électroportatif et il y a risque de choc électrique.
- **Utilisez des pinces ou autres pour fixer et soutenir la pièce de manière stable.** Si vous la tenez à la main ou contre votre corps, elle ne sera pas stable et vous pourriez en perdre le contrôle.

- L'usage prévu de l'outil est décrit dans le présent manuel d'instructions. L'utilisation d'un accessoire ou d'une fixation, ou bien l'utilisation de cet outil à d'autres fins que celles recommandées dans ce manuel d'instructions peut entraîner des blessures corporelles et/ou des dommages matériels.



Attention ! Les clés à chocs ne sont pas des clés dynamométriques. N'utilisez pas cet outil pour serrer les fixations à un couple précis. Un autre appareil, tel qu'une clé dynamométrique doit être utilisé si le serrage des fixations n'est pas satisfaisant et risque d'endommager le joint.

Sécurité des personnes

- Cet appareil ne doit pas être utilisé par des personnes (y compris les enfants) ayant des déficiences physiques, mentales ou sensorielles. Cette consigne s'applique aussi aux personnes manquant d'expérience et de connaissance du matériel, à moins que celles-ci n'aient reçu les instructions appropriées ou qu'elles ne soient encadrées par une personne responsable de leur sécurité pour utiliser l'appareil.
- Ne laissez jamais les enfants sans surveillance pour éviter qu'ils ne jouent avec cet outil.

Risques résiduels

L'utilisation d'un outil non mentionné dans les consignes de sécurité données peut entraîner des risques résiduels supplémentaires. Ces risques peuvent survenir si l'appareil est mal utilisé, si l'utilisation est prolongée, etc. Malgré l'application des normes de sécurité correspondantes et la présence de

dispositifs de sécurité, les risques résiduels suivants ne peuvent être évités. Ceci comprend:

- Les blessures dues au contact avec une pièce mobile/en rotation.
- Les blessures causées en changeant des pièces, lames ou accessoires.
- Les blessures dues à l'utilisation prolongée d'un outil. Une utilisation prolongée de l'outil nécessite des pauses régulières.
- Déficience auditive.
- Risques pour la santé causés par l'inhalation de poussières produites pendant l'utilisation de l'outil (exemple : travail avec du bois, surtout le chêne, le hêtre et les panneaux en MDF).

Vibration

La valeur des émissions de vibration déclarée dans la section Déclaration/Données techniques de conformité a été mesurée selon une méthode d'essai standard fournie par la norme EN 60745 et peut être utilisée pour comparer un outil à un autre. Elle peut aussi être utilisée pour une évaluation préliminaire à l'exposition.

Attention ! Selon la manière dont l'outil est utilisé, la valeur des émissions de vibration pendant l'utilisation de l'outil peut être différente de la valeur déclarée. Le niveau de vibration peut augmenter au-dessus du niveau établi.

Quand l'exposition aux vibrations est évaluée afin de déterminer les mesures de sécurité requises par la norme 2002/44/CE pour protéger les personnes utilisant régulièrement des outils électroportatif, il faut tenir compte d'une estimation de

l'exposition aux vibrations, des conditions actuelles d'utilisation et de la manière dont l'outil est utilisé. Il faut aussi tenir compte de toutes les pièces du cycle de fonctionnement comme la durée pendant laquelle l'outil est arrêté et quand il fonctionne au ralenti, ainsi que la durée du déclenchement.

Étiquettes de l'outil

Les symboles ci-dessous se trouvent sur l'outil :



Attention ! Pour réduire le risque de blessures, l'utilisateur doit lire le manuel d'instructions.

Consignes de sécurité supplémentaires concernant les batteries et les chargeurs

Batteries

- En aucun cas, n'essayez d'ouvrir l'outil.
- Ne mettez pas la batterie en contact avec l'eau.
- Ne rangez pas l'appareil dans des endroits où la température peut dépasser 40 °C.
- Ne chargez qu'à température ambiante comprise entre 10 °C et 40 °C.
- N'utilisez que le chargeur fourni avec l'outil.
- Pour la mise au rebut des batteries, respectez les instructions mentionnées à la section « Protection de l'environnement ».

Chargeurs

- Utilisez exclusivement votre chargeur BLACK+DECKER pour charger la batterie

fournie avec l'outil. D'autres batteries pourraient exploser, provoquant des blessures et des dommages.

- Ne tentez jamais de recharger des batteries non rechargeables.
- Remplacez immédiatement les fils électriques endommagés.
- N'approchez pas le chargeur de l'eau.
- N'ouvrez pas le chargeur.
- Ne testez pas le chargeur.



Le chargeur ne peut être utilisé qu'à l'intérieur.



Lisez le manuel d'instructions avant d'utiliser l'outil.



Transformateur avec isolation de sécurité. L'alimentation secteur est électriquement indépendante de la sortie du transformateur.



Le chargeur est automatiquement mis hors service si la température ambiante devient trop élevée. Il est alors impossible de l'utiliser. Débranchez alors le chargeur de l'alimentation secteur et faites-le réparer dans un centre agréé.

Sécurité électrique



Votre chargeur est doublement isolé et ne nécessite donc aucun câble de terre. Vérifiez toujours si la tension indiquée sur la plaque signalétique de l'appareil correspond à la tension de secteur. N'essayez jamais de remplacer le chargeur par une prise secteur.

- Si le câble d'alimentation est endommagé, il doit être remplacé par le fabricant ou par un Centre de réparation agréé BLACK+DECKER afin d'éviter tout accident.

Attention ! N'essayez jamais de remplacer le chargeur par une prise secteur.

Fonctionnalités

Cet outil présente la totalité ou une partie des caractéristiques suivantes.

1. Déclencheur
2. Bouton de commande avant/arrière
3. Support d'embout
4. Lampe de travail
5. Chargeur
6. Fiche du chargeur
7. Prise du chargeur

Assemblage

Mise en place et retrait d'un foret ou d'un embout de tournevis (figure B)

Cet outil utilise des forets et des embouts de tournevis de forme hexagonale de 6.35 mm (1/4").

- Pour installer un embout, insérez la tige dans le support (3).
- Pour retirer un embout, tirez la tige hors du support (3).

Remarque : l'accessoire à angle droit illustré aux figures E-J peut ne pas être inclus avec votre outil.

Utilisation

Attention ! Laissez l'outil fonctionner à sa

propre vitesse. Ne le poussez pas au-delà de sa limite.

- Avant la première utilisation, la batterie doit être chargée pendant au moins 9 heures.

Charge de la batterie (figure C)

- Insérez la fiche du chargeur (6) dans la prise du chargeur (7).
- Branchez le chargeur (5).
- Laissez l'outil branché au chargeur pendant 15 heures.

Le chargeur peut chauffer et faire du bruit pendant la charge. Ceci est un phénomène normal qui ne présente aucun problème.

Attention ! Utilisez exclusivement le chargeur fourni pour charger l'outil CS3651LC.

Attention ! Ne chargez pas la batterie si la température ambiante est inférieure à 10 °C ou supérieure à 40 °C.

Sélection du sens de rotation (figure D)

Pour percer ou pour serrer les vis, utilisez la rotation en marche avant. Pour desserrer des vis ou retirer un foret bloqué, utilisez la rotation en marche arrière.

- Pour sélectionner la rotation en marche avant, poussez le bouton de commande avant/arrière (2) vers la droite.
- Pour sélectionner la rotation en marche arrière, poussez le bouton de commande avant/arrière (2) vers la gauche.
- Pour verrouiller l'outil, placez le bouton de commande avant/arrière en position centrale.

Perçage/vissage

- Pour sélectionner la rotation en marche avant ou arrière, utilisez le bouton de commande avant/arrière (2).
- Pour mettre l'outil sous tension, appuyez sur le déclencheur (1).
- Pour mettre l'outil hors tension, relâchez le déclencheur (1).

Lampe de travail

La lampe de travail (4) s'allume automatiquement en appuyant sur le déclencheur. Le témoin s'allume aussi quand le déclencheur est enfoncé et que le bouton de commande marche/arrêt (2) est en position de déverrouillage (position centrale).

Conseils pour une utilisation optimale

Vissage

- Choisissez toujours un embout de type et de taille appropriés.
- Si le serrage est difficile, enduisez la vis d'une petite quantité de liquide de vaisselle ou de savon comme lubrifiant.
- Utilisez le collier de verrouillage pour desserrer des vis trop serrées ou pour serrer fermement les vis.
- Alignez toujours l'outil et l'embout du tournevis avec la vis.
- Pour visser dans le bois, il est recommandé de percer un trou de guidage d'une profondeur égale à la longueur de la vis. Ce trou permet de guider la vis et d'éviter les éclats ou la déformation du bois. Pour connaître la taille maximum du trou, reportez-vous au tableau ci-dessous.

- Pour visser dans du bois dur, il est aussi recommandé de percer un trou de passage mais cette fois-ci, d'une profondeur égale à la moitié de la longueur de la vis. Pour connaître la taille maximum du trou, reportez-vous au tableau ci-dessous.

Taille de vis	ø du trou de guidage (bois tendre)	ø du trou de guidage (bois dur)	Trou de passage
N° 6 (3,5 mm)	2.0 mm	2.5 mm	3.6 mm
N° 8 (4 mm)	2.5 mm	3.0 mm	4.5 mm
N° 10 (5 mm)	3.0 mm	3.5 mm	5.0 mm

Perçage de trous de guidage

- Appliquez toujours une légère pression en ligne droite sur le foret.
- Juste avant que le bout du foret atteigne l'autre côté de la pièce à percer, diminuez la pression sur l'outil.
- Utilisez un bloc de bois pour protéger les pièces à percer afin d'éviter les éclats.
- Pour plus de précision, marquez à l'aide d'un poinçon central un point au centre du trou à percer.

Accessoires

Les performances de votre outil dépendent de l'accessoire utilisé. Les accessoires BLACK+DECKER et Piranha sont fabriqués conformément aux normes de qualité supérieure et sont conçus pour optimiser les performances de votre outil. L'utilisation de ces accessoires vous permettra de tirer pleinement profit de votre outil.

Cet outil utilise des embouts de tournevis de forme hexagonale de 1/4" (6.35 mm). Les accessoires Piranha Super-lok sont conçus pour cet outil.--

Entretien

Votre outil BLACK+DECKER a été conçu pour fonctionner pendant longtemps avec un minimum d'entretien. Un fonctionnement continu satisfaisant dépend d'un nettoyage régulier et d'un entretien approprié de l'outil.

Le chargeur ne nécessite aucun entretien particulier, à l'exception d'un nettoyage régulier.

Attention ! Avant de procéder à un quelconque entretien sur l'outil, débranchez le chargeur.

- Nettoyez régulièrement les orifices de ventilation de l'outil et du chargeur à l'aide d'une brosse souple ou d'un chiffon sec.
- Nettoyez régulièrement le compartiment du moteur à l'aide d'un chiffon humide. N'utilisez pas de produit abrasif ou à base de solvant.
- Ouvrez régulièrement le mandrin et retirez la poussière à l'intérieur en le tapant.

Batteries



L'outil ne renferme aucune pièce susceptible d'être réparée par vos soins.

- Lorsque votre produit est arrivé en fin de vie, confiez-le dans sa totalité à votre technicien d'entretien ou à un centre de recyclage afin que la batterie puisse être recyclée. Ne jetez pas l'appareil avec les ordures ménagères.

Données techniques

CS3651LC (H1)		
Tension	V_{DC}	3.6
Vitesse à vide	min^{-1}	180
Couple de blocage dur	Nm	5.84
Couple max.	Nm	5.0
Support d'embout	mm	6.35 (1/4")
Poids	kg	0.32

Batterie 906146** H1		
Tension	V	3.6
Type de batterie		Li-Ion
Intensité Ahr		1.5

Chargeur 905450** H1		
Tension	V_{AC}	230
Durée de charge approximative	h	15
Poids	kg	0.14

Niveau de pression sonore selon la norme EN 60745:

Pression sonore (L_{pA}) 60 dB(A), incertitude (K) 3 dB(A)
 Pression sonore (L_{WA}) 71 dB(A), uncertainty (K) 3 dB(A)

Valeurs totales des vibrations (somme vectorielle triaxiale) selon la norme EN 60745:

Vissage sans impact ($a_{h, 1s}$) 0.3 m/s^2 , incertitude (K) 1.5 m/s^2

Déclaration de conformité CE

CONSIGNES DE MACHINERIE



CS3651LC

Black & Decker confirme que les produits décrits dans les «

Données techniques » sont conformes aux normes :

2006/42/CE, EN 60745-1, EN 60745-2-2

Ces produits sont également conformes aux Directives 2014/30/UE et 2011/65/UE. Pour plus de détails, veuillez contacter Black & Decker à l'adresse suivante ou reportez-vous au dos du manuel.

Le soussigné est responsable des données de la fiche technique et fait cette déclaration au nom de Black & Decker.

A handwritten signature in black ink, appearing to read 'R. Laverick', written in a cursive style.

R. Laverick

Responsable technique

Black & Decker Europe, 210 Bath Road, Slough,

Berkshire, SL1 3YD

Royaume-Uni

24/10/2014

Protection de l'environnement



Collecte séparée. Ce produit ne doit pas être jeté avec les déchets domestiques normaux.

Si vous décidez de remplacer ce produit BLACK+DECKER, ou si vous n'en avez plus l'utilité, ne le jetez pas avec vos déchets domestiques. Rendez-le disponible pour une collecte séparée.



La collecte séparée des produits et emballages usés permet le recyclage des articles afin de les utiliser à nouveau. Le fait d'utiliser à nouveau des produits recyclés permet d'éviter la pollution environnementale et de réduire la demande de matières premières.

Les réglementations locales peuvent permettre la collecte séparée des produits électriques du foyer, dans des déchetteries municipales ou auprès du revendeur vous ayant vendu votre nouveau produit.

BLACK+DECKER fournit un dispositif permettant de collecter et de recycler les produits BLACK+DECKER lorsqu'ils ont atteint la fin de leur cycle de vie. Pour pouvoir profiter de ce service, veuillez retourner votre produit à un réparateur agréé qui se chargera de le collecter pour nous.

Pour connaître l'adresse du réparateur agréé le plus proche de chez vous, contactez le bureau BLACK+DECKER à l'adresse indiquée dans ce manuel. Vous pourrez aussi trouver une liste des réparateurs agréés de BLACK+DECKER et de plus amples détails sur notre service après-vente sur le site Internet à l'adresse suivante : www.2helpU.com

Garantie

BLACK+DECKER vous assure la qualité de ses produits et vous offre une garantie très étendue.

Ce certificat de garantie est un document supplémentaire et ne peut en aucun cas se substituer à vos droits légaux.

La garantie est valable sur tout le territoire des États Membres de l'Union Européenne et de la Zone de Libre Échange Européenne.

Si un produit BLACK+DECKER s'avère défectueux en raison de matériaux en mauvais état, d'une erreur humaine, ou d'un manque de conformité dans les 24 mois suivant la date d'achat, BLACK+DECKER garantit le remplacement des pièces défectueuses, la réparation des produits usés ou cassés ou remplace ces produits à la convenance du client, sauf dans les circonstances suivantes :

- Le produit a été utilisé dans un but commercial, professionnel, ou a été loué.
- Le produit a été mal utilisé ou avec négligence.
- Le produit a subi des dommages à cause de corps étrangers, de substances ou d'accidents.
- Des réparations ont été tentées par des techniciens ne faisant pas partie du service technique de BLACK+DECKER.

Pour avoir recours à la garantie, il est nécessaire de fournir une preuve d'achat au vendeur ou à un réparateur agréé.

Pour connaître l'adresse du réparateur agréé le plus proche de chez vous, contactez le bureau BLACK+DECKER à l'adresse indiquée dans ce manuel. Vous pourrez aussi trouver une liste de réparateurs agréés de BLACK+DECKER et de plus amples détails sur notre service après-vente sur le site Internet à l'adresse suivante : www.2helpU.com

Visitez notre site Web www.blackanddecker.eu pour enregistrer votre nouveau produit BLACK+DECKER et être informé des nouveaux produits et des offres spéciales. Pour plus d'informations concernant la marque BLACK+DECKER et notre gamme de produits, consultez notre site www.blackanddecker.eu.

Utilização a que se destina

A sua aparafusadora BLACK+DECKER foi concebida para aparafusar parafusos. Esta ferramenta destina-se apenas a utilização doméstica.

Instruções de segurança

Avisos de segurança gerais para ferramentas eléctricas



Atenção! Leia com atenção todos os avisos de segurança e instruções. O não cumprimento dos seguintes avisos e instruções pode resultar em choque eléctrico, incêndio e/ou graves lesões.

Guarde todos os avisos e instruções para futura referência. A expressão "ferramenta eléctrica" utilizada a seguir refere-se a ferramentas eléctricas com ligação à corrente eléctrica (com cabo) ou com bateria (sem fios).

1. Segurança na área de trabalho

a. Mantenha a área de trabalho limpa e bem iluminada. Áreas desarrumadas ou mal iluminadas são propícias a acidentes.

b. Não trabalhe com ferramentas eléctricas em áreas com risco de explosão, nas quais se encontrem líquidos, gases ou poeiras inflamáveis. As ferramentas eléctricas produzem faíscas que podem provocar a ignição de poeiras ou vapores.

c. Mantenha crianças e outras pessoas afastadas durante a utilização da ferramenta eléctrica. Distrações podem provocar perda de controlo do aparelho.

2. Segurança eléctrica

a. A ficha da ferramenta eléctrica deve caber na tomada. A ficha não deve ser modificada de modo algum. Não utilize quaisquer fichas adaptadoras em ferramentas eléctricas com ligação à terra. Fichas sem modificações e

tomadas adequadas reduzem o risco de choques eléctricos.

b. Evite que o corpo entre em contacto com superfícies ligadas à terra, como tubos, radiadores, fogões e frigoríficos.

Existe um risco elevado de choques eléctricos se o corpo estiver ligado à terra.

c. As ferramentas eléctricas não podem ser expostas a chuva nem humidade. A penetração de água na ferramenta eléctrica aumenta o risco de choques eléctricos.

d. Manuseie o cabo com cuidado. O cabo não deve ser utilizado para transportar ou pendurar a ferramenta, nem para puxar a ficha da tomada. Mantenha o cabo afastado de calor, óleo, pontas afiadas ou partes móveis. Cabos danificados ou torcidos aumentam o risco de choques eléctricos.

e. Quando trabalhar com uma ferramenta eléctrica ao ar livre, utilize um cabo de extensão apropriado para esse fim. A utilização de um cabo apropriado para áreas ao ar livre reduz o risco de choques eléctricos.

f. Se for inevitável trabalhar com uma ferramenta eléctrica num local húmido, utilize um Dispositivo de Corrente Residual (RCD). A utilização de um RCD reduz o risco de choque eléctrico.

3. Segurança pessoal

a. Mantenha-se atento, observe o que está a fazer e seja prudente ao trabalhar com uma ferramenta eléctrica. Não utilize uma ferramenta eléctrica se estiver cansado ou sob a influência de drogas, álcool ou medicamentos. Um momento de falta de atenção enquanto trabalha com ferramentas eléctricas poderá resultar em lesões graves.

b. Utilize equipamento de protecção pessoal. Utilize sempre óculos de protecção. Equipamento de protecção

como, por exemplo, máscara anti-poeiras, sapatos de segurança anti-derrapantes, capacete de segurança ou protecção auricular, de acordo com o tipo e a aplicação de ferramenta eléctrica, reduz o risco de lesões.

c. Evite arranques involuntários.

Certifique-se de que o botão está desligado antes de ligar a ferramenta à corrente eléctrica e/ou a bateria, pegando ou transportando a ferramenta. Transportar ferramentas eléctricas com o dedo no botão ou ligar ferramentas eléctricas à tomada com o interruptor na posição de ligado pode dar origem a acidentes.

d. Retire eventuais chaves de ajuste ou chaves inglesas antes de ligar a ferramenta eléctrica. Uma chave fixa ou qualquer outra chave ligada a uma peça rotativa da ferramenta eléctrica pode provocar lesões.

e. Não se incline. Mantenha-se sempre bem posicionado e em equilíbrio. Assim, controlará melhor a ferramenta eléctrica em situações imprevistas.

f. Utilize vestuário adequado. Não utilize roupas largas nem jóias. Mantenha o cabelo, roupa e luvas afastados de peças em movimento. Roupas largas, jóias ou cabelo comprido podem ser apanhados por partes móveis.

g. Se for prevista a montagem de dispositivos de extracção e recolha de pó, assegure-se de que estão ligados e que são utilizados de forma correcta. A recolha das poeiras pode reduzir os riscos provocados por poeiras.

4. Utilização e manutenção da ferramenta eléctrica

a. Não sobrecarregue a ferramenta eléctrica. Utilize a ferramenta eléctrica adequada para o trabalho pretendido. A ferramenta eléctrica correcta realizará o trabalho de forma melhor e mais segura, com a potência com que foi concebida.

b. Não utilize a ferramenta eléctrica se o interruptor não puder ser ligado nem desligado. Qualquer ferramenta eléctrica que não possa ser controlada com o interruptor é perigosa e terá de ser reparada.

c. Desligue a ficha da tomada e/ou a bateria da tomada antes de proceder a ajustes, trocar acessórios ou guardar ferramentas eléctricas. Estas medidas de prevenção de segurança reduzem o risco de ligação inadvertida da ferramenta eléctrica.

d. Mantenha as ferramentas eléctricas que não estiverem a ser utilizadas fora do alcance de crianças. Não permita que a ferramenta eléctrica seja utilizada por pessoas não familiarizadas com a mesma ou que não tenham lido estas instruções. As ferramentas eléctricas são perigosas quando utilizadas por pessoas não qualificadas.

e. Efectue a manutenção das ferramentas eléctricas. Verifique se as partes móveis estão desalinhasadas ou bloqueadas, se existem peças partidas ou qualquer outra situação que possa afectar o funcionamento das ferramentas eléctricas. As peças danificadas devem ser reparadas antes da utilização da ferramenta eléctrica. Muitos acidentes são provocados por falta de manutenção das ferramentas eléctricas.

f. Mantenha as ferramentas de corte sempre afiadas e limpas. Ferramentas de corte com a manutenção adequada e extremidades afiadas bloqueiam com menos frequência e são mais fáceis de controlar.

g. Utilize a ferramenta eléctrica, acessórios e peças de ferramenta de acordo com estas instruções, considerando as condições de trabalho e a tarefa a ser executada. A utilização da ferramenta eléctrica para fins diferentes dos previstos pode resultar em situações perigosas.

5. Utilização e manutenção da bateria

- a. **Carregue apenas com o carregador especificado pelo fabricante.** Um carregador adequado para um tipo de bateria pode dar origem a risco de incêndio quando utilizado com outro tipo de bateria.
- b. **Utilize ferramentas eléctricas apenas com baterias específicas.** A utilização de outras baterias pode dar origem a risco de danos e incêndio.
- c. **Quando uma bateria não estiver a ser utilizada, mantenha-a afastada de outros objectos metálicos como, por exemplo, cliques, moedas, chaves, pregos, parafusos ou outros pequenos objectos metálicos que possam fazer ligação de um terminal a outro.** O curto-circuito de terminais de bateria pode causar queimaduras ou incêndio.
- d. **Sob condições exageradas, a bateria pode verter líquido - evite o contacto. Se ocorrer um contacto accidental, lave em abundância com água. Se o líquido entrar em contacto com os olhos, procure assistência médica.** O líquido vertido da bateria pode causar irritação ou queimaduras.

6. Reparação

- a. **A sua ferramenta eléctrica só deve ser reparada por pessoal qualificado e só devem ser colocadas peças sobressalentes originais.** Isso garante a manutenção da segurança da ferramenta eléctrica.

Avisos de segurança adicionais para ferramentas-eléctricas



Aviso! Avisos de segurança adicionais para aparafusadoras e chaves de fenda de percussão

- **Utilize protecção auditiva com berbequins de percussão.** A exposição a ruídos pode causar perdas auditivas.

- **Utilize o punho auxiliar fornecido com a ferramenta.** A perda de controlo pode provocar ferimentos.
- **Segure a ferramenta eléctrica pelas áreas isoladas quando executar uma operação em que o fixador possa entrar em contacto com a cablagem oculta..** Os fixadores em contacto com um cabo "electrificado" poderão expor peças metálicas do sistema eléctrico da ferramenta e provocar um choque eléctrico ao operador.
- **Utilize grampos ou outro meio para fixar e apoiar a peça numa plataforma estável.** Segurar na peça manualmente ou apoiá-la no seu corpo torna-a instável, podendo originar a perda de controlo.
- A utilização a que se destina é descrita neste manual de instruções. A utilização de qualquer acessório ou a realização de qualquer operação com este aparelho que não se inclua no presente manual de instruções poderá representar um risco de ferimentos pessoais e/ou danos materiais.

Aviso! As chaves de fenda de percussão não são chaves de fenda de aperto. Não utilize esta ferramenta para apertar fixadores segundo binários especificados. Deverá ser utilizado um dispositivo de medição de binário independente, como uma chave de fenda de aperto, quando o aperto insuficiente ou excessivo de fixadores for passível de originar a falha das junções.

Segurança de terceiros

- Este aparelho não deve ser utilizado por pessoas (incluindo crianças) que apresentem capacidades físicas, sensoriais ou mentais reduzidas ou que não possuam os conhecimentos e a experiência necessários, excepto se forem vigiadas e instruídas acerca da utilização do aparelho por uma pessoa responsável pela sua segurança.

- As crianças deverão ser vigiadas para que não mexam no aparelho.

Riscos residuais.

Podem surgir riscos residuais adicionais durante a utilização da ferramenta que poderão não constar nos avisos de segurança incluídos. Estes riscos podem resultar de má utilização, uso prolongado, etc. Mesmo com a aplicação dos regulamentos de segurança relevantes e com a implementação de dispositivos de segurança, alguns riscos residuais não podem ser evitados. Incluem:

- ferimentos causados pelo contacto com peças em rotação/movimento.
- ferimentos causados durante a troca de peças, lâminas ou acessórios.
- ferimentos causados pela utilização prolongada de uma ferramenta. Quando utilizar uma ferramenta por períodos prolongados, faça intervalos regulares.
- Diminuição da audição.
- Os problemas de saúde causados pela inalação de poeiras resultantes da utilização da ferramenta (exemplo: trabalhos em madeira, especialmente carvalho, faia e MDF).

Vibração

Os valores de emissão de vibração declarados na secção de dados técnicos e na declaração de conformidade foram medidos de acordo com o método de teste padrão fornecido pela norma EN 60745 e podem ser utilizados para comparar ferramentas. O valor de emissão de vibração declarado pode ainda ser utilizado numa avaliação preliminar de exposição.

Atenção! O valor de emissão de vibração durante a utilização real da ferramenta eléctrica pode ser diferente do valor declarado, dependendo da forma como a ferramenta é utilizada. O nível de vibração pode aumentar acima do nível indicado.

Quando avaliar a exposição da vibração para determinar as medidas de segurança exigidas pela norma 2002/44/CE para proteger pessoas que utilizem regularmente ferramentas eléctricas na sua actividade profissional, deve ser considerada uma estimativa de exposição de vibração, as actuais condições de utilização e o modo de utilização da ferramenta, incluindo ainda todas as partes do ciclo de funcionamento, como os períodos de inactividade e espera da ferramenta, para além do tempo de funcionamento.

Rótulos na ferramenta

A ferramenta apresenta os seguintes símbolos:



Atenção! Para reduzir o risco de ferimentos, o utilizador deve ler o manual de instruções.

Instruções de segurança adicionais para baterias e carregadores

Baterias

- Nunca tente abrir a bateria por motivo algum.
- Não exponha a bateria à água.
- Não a armazene em locais onde a temperatura possa exceder os 40 °C.
- Carregue apenas a temperaturas ambiente entre 10 °C e 40 °C.
- Carregue apenas com o carregador fornecido com a ferramenta.
- Quando eliminar as baterias, siga as instruções da secção "Protecção do ambiente".

Carregadores

- Utilize o seu carregador BLACK+DECKER apenas para carregar a bateria da ferramenta com que foi fornecido. Outras baterias podem rebentar, provocando ferimentos e danos.

- Nunca tente carregar baterias não recarregáveis.
- Substitua os cabos defeituosos imediatamente.
- Não exponha o carregador à água.
- Não abra o carregador.
- Não manipule o interior do carregador.



O carregador deverá ser utilizado apenas em espaços interiores.



Antes da utilização, leia o manual de instruções.



Transformador isolador de falhas. A corrente encontra-se electricamente separada da saída do transformador.



Se a temperatura ambiente for demasiado elevada, o carregador é automaticamente desligado. Em resultado, o carregador não poderá ser utilizado. A unidade deverá ser desligada da corrente e levada a um centro de assistência autorizado para reparação.

Segurança eléctrica



O seu carregador tem isolamento duplo. Por esse motivo, não precisa de ligação à terra. Verifique sempre se a tensão de alimentação corresponde à tensão indicada na placa de especificações. Nunca tente substituir a unidade do carregador por uma tomada normal de alimentação.

- Se o cabo de alimentação estiver danificado, terá de ser substituído pelo fabricante ou por um Centro de Assistência autorizado BLACK+DECKER, de modo a evitar lesões.

Atenção! Nunca tente substituir a unidade do carregador por uma tomada normal de alimentação.

Características

Esta ferramenta inclui algumas ou todas as características seguintes.

1. Interruptor ligar/desligar
2. Corrediça de avanço/recuo
3. Suporte da broca
4. Luz de trabalho LED
5. Carregador
6. Ficha do carregador
7. Conector de carregamento

Montagem

Instalar e remover uma broca de perfuração ou uma broca de aparafusadora (fig. B)

Esta ferramenta utiliza brocas de aparafusadora e brocas de perfuração com uma haste hexagonal de 6.35 mm (1/4").

- Para instalar uma broca, insira o respectivo veio no suporte da broca (3).
- Para remover uma broca, retire o respectivo veio do suporte da broca (3).

Nota: O acessório em ângulo recto apresentado na fig. E-J poderá não ser incluído com a sua ferramenta.

Utilização

Atenção! Não altere o ritmo de funcionamento da ferramenta. Não a sobrecarregue.

- Antes da primeira utilização, a bateria deverá ser carregada durante pelo menos 9 horas.

Carregamento da bateria (fig. C)

- Insira a ficha do carregador (6) no conector de carregamento (7).
- Ligue o carregador (5) à corrente.
- Deixe a ferramenta ligada ao carregador durante 15 horas.

O carregador poderá emitir um zumbido e aquecer durante o carregamento. Este comportamento é normal, não indicando um problema.

Atenção! Utilize sempre o carregador fornecido para carregar o CS3651LC.

Atenção! Não carregue a bateria a uma temperatura ambiente inferior a 10 °C ou superior a 40 °C.

Seleccionar o sentido de rotação (fig. D)

Para perfurar ou apertar parafusos, utilize a rotação de avanço. Para desapertar parafusos ou remover uma broca de perfuração encravada, utilize a rotação de recuo.

- Para seleccionar a rotação de avanço, empurre o botão de avanço/recuo (2) para a direita.
- Para seleccionar a rotação de recuo, empurre o botão de avanço/recuo (2) para a esquerda.
- Para bloquear a ferramenta, coloque o botão de avanço/recuo na posição central.

Perfurar/aparafusar

- Selecione a rotação de avanço ou recuo utilizando o botão de avanço/recuo (2).
- Para ligar a ferramenta, prima o interruptor ligar/desligar (1).
- Para desligar a ferramenta, liberte o interruptor ligar/desligar (1).

Luz de trabalho LED

A luz de trabalho LED (4) é activada automaticamente quando o gatilho é premido. O LED iluminar-se-á também quando o gatilho for premido e a corrediça de avanço/recuo (2) se encontrar na posição de bloqueio (posição central).

Sugestões para uma utilização óptima**Aparafusar**

- Utilize sempre o tipo e tamanho correctos de brocas de aparafusadora.
- Se tiver dificuldade em apertar os parafusos, utilize um pouco de detergente ou sabão como lubrificante.
- Utilize o travão do veio para desapertar os parafusos muito apertados ou para apertar parafusos com firmeza.
- Segure sempre na ferramenta e na broca de aparafusadora alinhadas com o parafuso.
- Ao aparafusar em madeira, é recomendado perfurar um orifício piloto com uma profundidade igual ao comprimento do parafuso. O orifício piloto orienta o parafuso, evitando lascas ou distorcer a madeira. Para otimizar o tamanho do orifício piloto, consulte a tabela seguinte.
- Ao aparafusar em madeira dura, perfure também um orifício de desobstrução com uma profundidade igual a metade do comprimento do parafuso. Para otimizar o tamanho do orifício de desobstrução, consulte a tabela seguinte.

Tamanho do parafuso	Ø orifício piloto (madeira macia)	Ø orifício piloto (madeira dura)	Orifício de desobstrução
N.º 6 (3.5 mm)	2.0 mm	2.5 mm	3.6 mm
N.º 8 (4 mm)	2.5 mm	3.0 mm	4.5 mm
N.º 10 (5 mm)	3.0 mm	3.5 mm	5.0 mm

Perfurar orifícios piloto

- Aplique sempre uma pressão ligeira alinhada com a broca de perfuração.
- Assim que a ponta da broca estiver prestes a furar até ao outro lado da peça de trabalho, reduza a pressão na ferramenta.
- Utilize um bloco de madeira para reforçar as peças de trabalho que possam lascar.
- Faça um entalhe utilizando um punção central no centro do orifício a perfurar, de modo a aumentar a precisão.

Acessórios

O desempenho da sua ferramenta depende do acessório utilizado. Os acessórios BLACK+DECKER e Piranha são criados de acordo com elevados padrões de qualidade, sendo concebidos para melhorar o desempenho da sua ferramenta. Utilizando estes acessórios, tirará o melhor partido da sua ferramenta.

Esta ferramenta utiliza brocas de aparafusadora com uma haste hexagonal de 1/4" (6.35 mm). Os acessórios Piranha Super-lok foram concebidos para serem utilizados com esta ferramenta.

Manutenção

A sua ferramenta BLACK+DECKER foi concebida para funcionar durante muito tempo, com um mínimo de manutenção. Um funcionamento contínuo e satisfatório depende de uma manutenção adequada e da limpeza regular da ferramenta.

O seu carregador não necessita de manutenção para além da limpeza regular.

Atenção! Antes de efectuar qualquer tarefa de manutenção da ferramenta, desligue o carregador antes de o limpar.

- Limpe regularmente as ranhuras de ventilação da ferramenta e do

carregador utilizando uma escova suave ou um pano seco.

- Limpe regularmente o compartimento do motor com um pano húmido. Não utilize nenhum produto de limpeza abrasivo ou a base de solvente.
- Abra o mandril regularmente e sacuda para remover qualquer vestígio de pó do seu interior.

Baterias



Não existem peças para manutenção pelo utilizador no interior.

- No final da vida útil do produto, entregue a unidade completa ao seu agente ou a uma estação de reciclagem local para que a bateria seja reciclada. Não elimine a unidade juntamente com o lixo doméstico.

Dados técnicos

CS3651LC (H1)		
Tensão	V_{DC}	3.6
Velocidade sem carga	min^{-1}	180
Binário de paragem	Nm	5.84
Binário máx.	Nm	5.0
Suporte da broca	mm	6.35 (1/4")
Peso	kg	0.32

Bateria 906146** H1		
Tensão	V	3.6
Tipo de bateria		lões de lítio
Classificação AHR		1.5

Carregador 905450** H1		
Tensão	V_{AC}	230
Tempo de carregamento aprox.	h	15
Peso	kg	0.14

Nível de pressão acústica, de acordo com a norma EN 60745:	
Pressão acústica (L_{pA})	60 dB(A), variabilidade (K) 3 dB(A)
Potência acústica (L_{WA})	71 dB(A), imprecisão(K) 3 dB(A)

Valores totais de vibração (soma vectores triax) de acordo com a norma EN 60745:	
Aparafusar sem impacto ($a_{h, IS}$)	0.3 m/s^2 , variabilidade (K) 1.5 m/s^2

Declaração de conformidade CE

DIRECTIVA SOBRE MAQUINARIA



CS3651LC

A Black & Decker declara que os produtos descritos nos "dados técnicos" estão em conformidade com: 2006/42/CE, EN 60745-1, EN 60745-2-2

Estes produtos estão também em conformidade com a Directiva 2014/30/UE e 2011/65/UE. Para obter mais informações, contacte a Black & Decker no endereço indicado em seguida ou consulte a parte posterior do manual.

O signatário é responsável pela compilação do ficheiro técnico, fazendo esta declaração em nome da Black & Decker.

R. Laverick

Director de Engenharia

Black & Decker Europe, 210 Bath Road, Slough,

Berkshire, SL1 3YD

Reino Unido

24/10/2014

Proteger o ambiente



Recolha separada. Este produto não deve ser eliminado juntamente com os resíduos domésticos normais.

Se algum dia necessitar de substituir o seu produto BLACK+DECKER ou se já não o voltar a utilizar, não o elimine juntamente com os outros resíduos domésticos. Disponibilize este produto para recolha separada.



A recolha separada de produtos usados e embalagens permite que os materiais sejam reciclados e utilizados novamente. A reutilização de materiais reciclados ajuda a prevenir a poluição ambiental e reduz a procura de matérias-primas.

As normas locais podem fornecer a recolha separada de produtos elétricos a nível doméstico, locais de resíduos urbanos ou pelo revendedor onde adquiriu um produto novo.

A BLACK+DECKER providencia uma unidade para a recolha e reciclagem de produtos BLACK+DECKER uma vez que tenham alcançado o fim da sua vida útil. Para beneficiar deste serviço, devolva o seu produto a qualquer agente reparador autorizado, que fará a recolha em nosso favor.

Pode verificar a localização do seu agente reparador mais próximo, contactando o seu escritório local BLACK+DECKER através do endereço indicado neste manual. Como alternativa, está disponível na Internet uma lista de agentes reparadores autorizados da BLACK+DECKER e dados completos do serviço de pós-venda e contactos em: www.2helpU.com.

Garantia

A Black + Decker está confiante da qualidade de seus produtos e oferece uma garantia excelente. Esta declaração de garantia está em adição e em nada prejudica os seus direitos estatutários. A garantia é válida nos territórios dos Estados-Membros da União Europeia e da Zona Europeia de Comércio Livre.

Se um produto Black + Decker apresenta algum defeito devido a falhas de material, mão de obra ou falta de conformidade, no prazo de

24 meses a partir da data da compra, a BLACK+DECKER garante a substituição das peças defeituosas, produtos de reparação sujeitos a uso e desgaste regular ou substituição de tais produtos para se certificar do mínimo de inconveniência ao cliente a menos que:

- O produto tenha sido utilizado para fins comerciais, profissionais ou contratação.
- O produto tenha sido submetido a utilização inadequada ou negligência.
- O produto tenha sofrido danos causados por objetos estranhos, substâncias ou acidentes.
- As reparações foram efetuadas por terceiros e não por agentes autorizados ou pelo pessoal de serviço Black + Decker.

Para ativar a garantia, terá que apresentar o comprovativo de compra ao vendedor ou a um agente técnico autorizado.

Pode verificar a localização do seu agente reparador autorizado mais próximo, contactando o seu escritório local BLACK+DECKER através do endereço indicado neste manual. Como alternativa, está disponível na Internet uma lista de agentes reparadores autorizados BLACK+DECKER, dados completos do serviço de pós-venda e contactos em: www.2helpU.com

Visite por favor o nosso site www.blackanddecker.co.uk para registar o seu novo produtos Black + Decker e manter-se atualizado sobre novos produtos e ofertas especiais. Mais informação sobre a marca Black + Decker e a nossa gama de produtos está disponível em www.blackanddecker.co.uk.

Составные части

1. Сопло
2. Воздуховодное отверстие
3. Курковый пусковой выключатель
4. Кнопка блокировки пускового выключателя
5. Всасывающее отверстие
6. Пылесборник

Назначение

Ваш пылесос/воздуходувка BLACK+DECKER предназначен для сдува и всасывания пыли и мусора, а также чистки поверхностей.

Общие правила безопасности при работе с электроприборами



ВНИМАНИЕ: Внимательно прочтите все инструкции по безопасности и руководство по эксплуатации.

Несоблюдение всех перечисленных ниже правил безопасности и инструкций может привести к поражению электрическим током, возникновению пожара и/или получению тяжёлой травмы.

Сохраните все инструкции по безопасности и руководство по эксплуатации для их дальнейшего использования

Термин «Электроприбор» во всех приведённых ниже указаниях относится к Вашему сетевому (с кабелем) или аккумуляторному (беспроводному) электроприбору.

1) Безопасность рабочего места

- a) **Содержите рабочее место в чистоте и обеспечьте хорошее освещение.** Плохое освещение или беспорядок на рабочем месте может привести к несчастному случаю.
- b) **Не используйте электроприборы, если есть опасность возгорания или взрыва, например, вблизи легко воспламеняющихся жидкостей, газов или пыли.** В процессе работы электроприборы создают искровые разряды, которые могут воспламенить пыль или горючие пары.
- c) **Во время работы с электроприбором не подпускайте близко детей или посторонних лиц.** Отвлечение внимания может вызвать у Вас потерю контроля над рабочим процессом.

2) Электробезопасность

- a) **Вилка кабеля электроприбора должна соответствовать штепсельной розетке. Ни в коем**

случае не видоизменяйте вилку электрического кабеля. Не используйте соединительные штепсели-переходники, если в силовом кабеле электроприбора есть провод заземления. Использование оригинальной вилки кабеля и соответствующей ей штепсельной розетки уменьшает риск поражения электрическим током.

- b) **Во время работы с электроприбором избегайте физического контакта с заземлёнными объектами, такими как трубопроводы, радиаторы отопления, электроплиты и холодильники.** Риск поражения электрическим током увеличивается, если Ваше тело заземлено.
- c) **Не используйте электроприбор под дождём или во влажной среде.** Попадание воды в электроприбор увеличивает риск поражения электрическим током.
- d) **Бережно обращайтесь с электрическим кабелем. Ни в коем случае не используйте кабель для переноски электроприбора или для вытягивания его вилки из штепсельной розетки.** Не подвергайте электрический кабель воздействию высоких температур и смазочных веществ; держите его в стороне от острых кромок и движущихся частей прибора. Повреждённый или запутанный кабель увеличивает риск поражения электрическим током.
- e) **При работе с электроприбором на открытом воздухе используйте удлинительный кабель, предназначенный для наружных работ.** Использование кабеля, пригодного для работы на открытом воздухе, снижает риск поражения электрическим током.
- f) **При необходимости работы с электроприбором во влажной среде используйте источник питания, оборудованный устройством защитного отключения (УЗО).** Использование УЗО снижает риск поражения электрическим током.

3) Личная безопасность

- a) **При работе с электроприборами будьте внимательны, следите за тем, что Вы делаете, и руководствуйтесь здравым смыслом. Не используйте электроприбор, если Вы устали, а также находясь под действием алкоголя или понижающих реакцию лекарственных препаратов и других средств.** Малейшая неосторожность при работе с электроприборами может привести к серьёзной травме.
- b) **При работе используйте средства индивидуальной защиты.** Всегда надевайте защитные очки. Своевременное использование защитного снаряжения, а именно: пылезащитной маски, ботинок на нескользящей подошве, защитного шлема или противошумовых наушников, значительно снизит риск получения травмы.

- b. При работе используйте средства индивидуальной защиты. Всегда надевайте защитные очки. Своевременное использование защитного снаряжения, а именно: пылезащитной маски, ботинок на нескользкой подошве, защитного шлема или противошумовых наушников, значительно снизит риск получения травмы.
- c. Не допускайте непреднамеренного запуска. Перед тем, как подключить электроинструмент к сети и/или аккумулятору, поднять или перенести его, убедитесь, что выключатель находится в положении «выключено». Не переносите электроинструмент с нажатым курковым выключателем и не подключайте к сетевой розетке электроинструмент, выключатель которого установлен в положение «включено», это может привести к несчастному случаю.
- d. Перед включением электроинструмента снимите с него все регулировочные или гаечные ключи. Регулировочный или гаечный ключ, оставленный закреплённым на вращающейся части электроинструмента, может стать причиной тяжёлой травмы.
- e. Работайте в устойчивой позе. Всегда сохраняйте равновесие и устойчивую позу. Это позволит Вам не потерять контроль при работе с электроинструментом в непредвиденной ситуации.
- f. Одевайтесь соответствующим образом. Во время работы не надевайте свободную одежду или украшения. Следите за тем, чтобы Ваши волосы, одежда или перчатки находились в постоянном отдалении от движущихся частей инструмента. Свободная одежда, украшения или длинные волосы могут попасть в движущиеся части инструмента.
- g. Если электроинструмент снабжён устройством сбора и удаления пыли, убедитесь, что данное устройство подключено и используется надлежащим образом. Использование устройства пылеудаления значительно снижает риск возникновения несчастного случая, связанного с запылённостью рабочего пространства.
4. Использование электроинструментов и технический уход
- a. Не перегружайте электроинструмент. Используйте Ваш инструмент по назначению. Электроинструмент работает надёжно и безопасно только при соблюдении параметров, указанных в его технических характеристиках.
- b. Не используйте электроинструмент, если его выключатель не устанавливается в положение включения или выключения. Электроинструмент с неисправным выключателем представляет опасность и подлежит ремонту.
- c. Отключайте электроинструмент от сетевой розетки и/или извлекайте аккумулятор перед регулированием, заменой принадлежностей или при хранении электроинструмента. Такие меры предосторожности снижают риск случайного включения электроинструмента.
- d. Храните неиспользуемые электроинструменты в недоступном для детей месте и не позволяйте лицам, не знакомым с электроинструментом или данными инструкциями, работать с электроинструментом. Электроинструменты представляют опасность в руках неопытных пользователей.
- e. Регулярно проверяйте исправность электроинструмента. Проверяйте точность совмещения и лёгкость перемещения подвижных частей, целостность деталей и любых других элементов электроинструмента, воздействующих на его работу. Не используйте неисправный электроинструмент, пока он не будет полностью отремонтирован. Большинство несчастных случаев являются следствием недостаточного технического ухода за электроинструментом.
- f. Следите за остротой заточки и чистотой режущих принадлежностей. Принадлежности с острыми кромками позволяют избежать заклинивания и делают работу менее утомительной.
- g. Используйте электроинструмент, аксессуары и насадки в соответствии с данным Руководством и с учётом рабочих условий и характера будущей работы. Использование электроинструмента не по назначению может создать опасную ситуацию.
5. Использование аккумуляторных инструментов и технический уход
- a. Зарядите аккумуляторный зарядным устройством указанной производителем марки. Зарядное

устройство, которое под- ходит к одному типу аккумуляторов, может создать риск возгорания в случае его ис- пользования с аккумуляторами другого типа.

- b. **Используйте электроинструменты толь- ко с предназначенными для них аккумуляторами.** Использование аккумулятора какой-либо другой марки может привести к возникновению пожара и получению трав- мы.
- c. **Держите не используемый аккумулятор подальше от металлических предметов, таких как скрепки, монеты, ключи, гвозди, шурупы, и других мелких металлических предметов, которые могут замкнуть кон- такты аккумулятора.** Короткое замыкание контактов аккумулятора может привести к получению ожогов или возникновению пожара.
- d. **В критических ситуациях из аккумулятора может вытечь жидкость (электролит); из- бегайте контакта с кожей. Если жидкость попала на кожу, смойте её водой. Если жидкость попала в глаза, обратитесь за медицинской помощью.** Жидкость, вы- текшая из аккумулятора, может вызвать раздражение или ожоги.
- 6. **Сервисное обслуживание**
 - a. **Ремонт Вашего электроинструмента дол- жен производиться только квалифициро- ванными специалистами с использова- нием идентичных запасных частей.** Это обеспечит безопасность Вашего электро- инструмента в дальнейшей эксплуатации.

Дополнительные меры безопасности при работе с электроинструментами



Внимание! Дополнительные меры без- опасности при работе винтовёртами и ударными гайковёртами.

- **При работе ударными дрелями всегда надевайте противошумовые наушники.** Воздействие шума может привести к потере слуха.
- **При работе пользуйтесь дополнитель- ными рукоятками, прилагающимися к инструмент у.** Потеря контроля над инструментом может привести к тяжёлой травме.

- **Держите инструмент за изолированные ручки при выполнении операций, во время которых крепёжная деталь может соприкасаться со скрытой проводкой.** Контакт крепёжных элементов с находя- щимся под напряжением проводом делает не покрытые изоляцией металлические части электроинструмента «живыми», что создает опасность поражения оператора электрическим током.
- **Используйте струбицы или другие при- способности для фиксации обрабатыва- емой детали, устанавливая их только на неподвижной поверхности.** Если держать обрабатываемую деталь руками или с упо ром в собственное тело, то можно потерять контроль над инструментом или обрабаты- ваемой деталью.
- Назначение инструмента описывается в данном руководстве по эксплуатации. Использование любых принадлежностей или приспособлений, а также выполнение данным инструментом любых видов работ, не рекомендованных данным руководством по эксплуатации, может привести к несчаст- ному случаю и/или повреждению личного имущества.



Внимание! Ударные гайковёрты не являются динамометрическими гай- ковёртами. Не используйте данный инструмент для затягивания крепёжных элементов с нормативным моментом. Поскольку недостаточное или чрезмер- ное затягивание крепёжных элементов может послужить причиной неправиль- ного соединения, при работе следует использовать независимое хорошо от- калиброванное устройство измерения крутящего момента, например, динамо- метрический ключ.

Безопасность посторонних лиц

- Данный инструмент не может использовать- ся людьми (включая детей) со сниженными физическими, сенсорными и умственными способностями или при отсутствии необхо- димого опыта или навыка, за исключением, если они выполняют работу под присмотром или получили инструкции относительно работы с этим инструментом от лица, от- вечающего за их безопасность.
- Не позволяйте детям играть с инструмен- том.

Остаточные риски

При работе с данным инструментом возможно возникновение дополнительных остаточных рисков, которые не вошли в описанные здесь правила техники безопасности. Эти риски могут возникнуть при неправильном или продолжительном использовании изделия и т.п.

Несмотря на соблюдение соответствующих инструкций по технике безопасности и использование предохранительных устройств, некоторые остаточные риски невозможно полностью исключить. К ним относятся:

- Травмы в результате касания вращающихся/двигающихся частей инструмента.
- Риск получения травмы во время смены деталей инструмента, ножей или насадок.
- Риск получения травмы, связанный с продолжительным использованием инструмента. При использовании инструмента в течение продолжительного периода времени делайте регулярные перерывы в работе.
- Ухудшение слуха.
- Ущерб здоровью в результате вдыхания пыли в процессе работы с инструментом (например, при обработке древесины, в особенности, дуба, бука и ДВП).

Вибрация

Значения уровня вибрации, указанные в технических характеристиках инструмента и декларации соответствия, были измерены в соответствии со стандартным методом определения вибрационного воздействия согласно EN60745 и могут использоваться при сравнении характеристик различных инструментов. Приведённые значения уровня вибрации могут также использоваться для предварительной оценки величины вибрационного воздействия.

Внимание! Значения вибрационного воздействия при работе с электроинструментом зависят от вида работ, выполняемых данным инструментом, и могут отличаться от заявленных значений. Уровень вибрации может превышать заявленное значение.

При оценке степени вибрационного воздействия для

определения необходимых защитных мер (2002/44/EC) для людей, использующих в процессе работы электроинструменты, необходимо принимать во внимание действительные условия использования электроинструмента, учитывая все составляющие рабочего цикла, в том числе, время, когда инструмент находится в выключенном состоянии, время, когда он работает без нагрузки, а также время его запуска и отключения.

Маркировка инструмента

На инструменте имеются следующие знаки:



Внимание! Полное ознакомление с руководством по эксплуатации снизит риск получения травмы.

Дополнительные меры безопасности при работе с аккумуляторами и зарядными устройствами

Аккумуляторы

- Ни в коем случае не пытайтесь разобрать аккумулятор.
- Не погружайте аккумулятор в воду.
- Не храните в местах, где температура может превысить 40 °C.
- Заряжайте аккумулятор только при температуре окружающей среды в пределах 10 °C – 40 °C.
- Заряжайте только зарядными устройствами, входящими в комплект поставки инструмента.
- Утилизируйте отработанные аккумуляторы, следуя инструкциям раздела «Защита окружающей среды».

Зарядные устройства

- Используйте Ваше зарядное устройство BLACK+DECKER только для зарядки аккумулятора электроинструмента, в комплект поставки которого он входит. Аккумуляторы других марок могут взорваться, что приведёт к получению травмы или повреждению электроинструмента.
- Ни в коем случае не пытайтесь зарядить неперезаряжаемые аккумуляторы.
- Немедленно заменяйте повреждённый сетевой кабель.

- Не погружайте зарядное устройство в воду.
- Не разбирайте зарядное устройство.
- Не используйте зарядное устройство в качестве объекта для проведения испытаний.



Зарядное устройство предназначено только для использования внутри помещений.



Перед началом работы внимательно прочтите руководство по эксплуатации.



Предохранительный изолированный трансформатор. Питающая сеть электрически изолирована от выхода трансформатора.



Зарядное устройство автоматически выключается, если температура окружающей среды становится слишком высокой. Зарядное устройство становится неработоспособным. Отсоедините зарядное устройство от электросети и отнесите его в ремонт в авторизованный сервисный центр.

Электробезопасность



Ваше зарядное устройство защищено двойной изоляцией, что исключает потребность в заземляющем проводе. Всегда проверяйте, соответствует ли напряжение, указанное на табличке с техническими параметрами, напряжению электросети. Ни в коем случае не пытайтесь заменить зарядный блок стандартным сетевым штепселем.

- Во избежание несчастного случая, замена поврежденного кабеля питания должна производиться только на заводе-изготовителе или в авторизованном сервисном центре BLACK+DECKER.

Внимание! Ни в коем случае не пытайтесь заменить зарядный блок стандартным сетевым штепселем.

Элементы

Инструмент включает в себя следующие элементы.

1. Переключатель вкл./выкл
2. Регулятор вперед/назад
3. Державка для вставного резца
4. Рабочая СИД-лампа
5. Зарядное устройство
6. Штырь для зарядного устройства
7. Разъем для зарядки

Сборка

Установка и снятие сверла или отвёрточной насадки (Рис. В)

Данный инструмент использует отвёрточные насадки с шестигранным хвостовиком 6,35 мм (1/4»).

- Для установки насадки, вставьте её хвостовик в держатель (3).
- Для снятия насадки, потяните за неё и извлеките из держателя (3). Примечание: В комплект Вашего инструмента может не входить принадлежность, изображённая на Рис. Е-Ж.

Эксплуатация

Внимание! Не форсируйте рабочий процесс. Избегайте перегрузки инструмента.

- Перед первым использованием инструмента необходимо зарядить аккумулятор в течение не менее 15 часов.

Зарядка аккумулятора (Рис. С)

- Вставьте штекер (6) зарядного устройства в соединительный разъем (7).
- Подсоедините зарядное устройство к сетевой розетке.
- Оставьте инструмент подключенным к зарядному устройству на 15 часов.

В процессе зарядки зарядное устройство может слегка гудеть и нагреваться. Это нормально, и не указывает на наличие какой-либо проблемы.

Внимание! Для зарядки CS3651LC используйте только зарядное устройство, входящее в комплект поставки инструмента.

Внимание! Не заряжайте аккумулятор при температуре окружающей среды ниже 10 °C или выше 40 °C.

Выбор направления вращения (Рис. D)

Выполняйте сверление и заворачивание саморезов, установив направление вращения вперед. Для выкручивания саморезов или извлечения заклинившего сверла, установите реверс.

- Для установки вращения вперед сдвиньте переключатель направления вращения (2) вправо.
- Для установки реверса сдвиньте переключатель направления вращения (2) влево.

- Для блокировки электроинструмента, устанавите переключатель реверса в среднее положение.

Сверление/Заворачивание

- Выберите направление вращения при помощи переключателя (2).
- Чтобы включить инструмент, нажмите на курковый пусковой выключатель (1).
- Чтобы выключить инструмент, отпустите курковый пусковой выключатель (1).

Рабочая СИД-лампа

СИД-лампа (4) включается автоматически при нажатии кнопки пуска. СИД-лампа также горит, если кнопка зажата, и регулятор вперед/назад (2) находится в положении блокировки (среднее положение).

Рекомендации по оптимальному использованию

Заворачивание

- Всегда используйте отвёрточную насадку соответствующего типа и размера.
- Если саморезы заворачиваются с трудом, попробуйте нанести небольшое количество моющего средства или мыла в качестве смазки.
- Используйте блокировку шпинделя для заворачивания с усилием или выворачивания очень сильно затянутых винтов.
- Всегда держите инструмент и отвёрточную насадку по прямой линии с винтом.
- При заворачивании в древесину, рекомендуется просверлить направляющее отверстие на глубину, равную длине самореза. Направляющее отверстие точно направляет саморез и предотвращает раскол и деформацию древесины. Оптимальные диаметры направляющих отверстий представлены в таблице ниже.
- При заворачивании в древесину твердых пород, также просверлите отверстие ззором на глубину, равную половине длины самореза. Оптимальные диаметры отверстий с ззором представлены в таблице ниже.

Размер самореза	Диаметр направл. отв-я (мягкая древесина)	Диаметр направл. отв-я (твердая древесина)	Сквозное отверстие
No. 6 (3,5 мм)	2,0 мм	2,5 мм	3,6 мм
No. 8 (4 мм)	2,5 мм	3,0 мм	4,5 мм
No. 10 (5 мм)	3,0 мм	3,5 мм	5,0 мм

Сверление направляющих отверстий

- Всегда прилагайте давление по прямой линии со сверлом.
- На выходе сверла из просверливаемой заготовки, постепенно уменьшайте прилагаемое к сверлу усилие.
- Если заготовка может расколоться, подложите под неё деревянный брусок.
- Разметьте место сверления с помощью кернера, чтобы гарантировать точность расположения отверстия.

Дополнительные принадлежности

Производительность Вашего электроинструмента напрямую зависит от используемых принадлежностей. Принадлежности BLACK+DECKER и Piranha изготовлены в соответствии с самыми высокими стандартами качества и способны увеличить производительность Вашего электроинструмента. Используя эти принадлежности, Вы достигнете наилучших результатов в работе.

Данный инструмент использует отвёрточные насадки с шестигранным хвостовиком 1/4» (6,35 мм). Насадки Piranha Superlok специально разработаны для использования с данным инструментом.

Техническое обслуживание

Ваш инструмент BLACK+DECKER рассчитан на работу в течение продолжительного времени при минимальном техническом обслуживании. Срок службы и надёжность инструмента увеличиваются при правильном уходе и регулярной чистке.

Ваше зарядное устройство не требует никакого дополнительного технического обслуживания, кроме регулярной чистки.

Внимание! Перед проведением технического обслуживания или чистки отключите инструмент от зарядного устройства.

- Регулярно очищайте вентиляционные отверстия инструмента и зарядного устройства мягкой щёткой или сухой тканью.
- Регулярно очищайте корпус двигателя влажной тканью. Не используйте абразивные чистящие средства, а также чистящие средства на основе растворителей.
- Регулярно раскрывайте патрон и вытряхивайте из него всю накопившуюся пыль.

Аккумуляторы



Внутри нет обслуживаемых пользователем деталей.

- По окончании срока службы отправьте инструмент в авторизованный сервисный центр или в местный пункт переработки, где аккумулятор будет утилизирован должным образом. Не выбрасывайте инструмент вместе с бытовыми отходами.

Технические характеристики

CS3651LC (H1)		
Напряжение питания В пост. тока		3,6
Число оборотов без нагрузки	об/мин.	180
Предельный перегрузочный момент	Нм	5,84
Максимальный крутящий момент	Нм	5,0
Державка для вставного резца	мм	6,35 (1/4«)
Вес	кг	0,32

Аккумулятор 906146** H1		
Напряжение питания	В	3,6
Тип аккумулятора		Литиево-ионная
Ёмкость	Ач	1,5

Зарядное устройство 905450** H1		
Напряжение питания В перем. тока		230
Приблизительное время зарядки	ч	15
Вес	кг	0,14

Уровень звукового давления в соответствии с EN 60745:	
Звуковое давление (LpA) 60 дБ(A), погрешность (K) 3 дБ(A)	
Звуковое давление (LbTA) 71 дБ(A), погрешность (K) 3 дБ(A)	

Сумма величин вибрации (сумма векторов по трем осям), измеренных в соответствии со стандартом EN 60745:	
Заворачивание без удара (a _{h, IS}) 0,3 м/с ² , погрешность (K) 1,5 м/с ²	

Декларация соответствия ЕСДИРЕКТИВА ПО МЕХАНИЧЕСКОМУ
ОБОРУДОВАНИЮ

CS3651LC

Black & Decker заявляет, что продукты, обозначенные в разделе «Технические характеристики», полностью соответствуют стандартам: 2006/42/ЕС, EN 60745-1, EN 60745-2-2.

Данные продукты также соответствуют Директивам 2014/30/EU и 2011/65/EU. За дополнительной информацией обращайтесь в Black & Decker по указанному ниже адресу или по адресу, указанному на последней странице руководства.

Нижеподписавшееся лицо полностью отвечает за соответствие технических данных и делает это заявление от имени фирмы Black & Decker.

R. Laverick

Руководитель отдела
технических разработок
Black & Decker Europe
210 Bath Road, Slough
Berkshire, SL1 3YD
United Kingdom
19.01.2015

Защита окружающей среды

Раздельный сбор. Данное изделие нельзя утилизировать вместе с обычными бытовыми отходами.

Если однажды Вы захотите заменить Ваше изделие BLACK+DECKER или Вы больше в нём не нуждаетесь, не выбрасывайте его вместе с бытовыми отходами. Отнесите изделие в специальный приёмный пункт.



Раздельный сбор изделий с истекшим сроком службы и их упаковок позволяет пускать их в переработку и повторно использовать.

Использование переработанных материалов помогает защищать окружающую среду от загрязнения и снижает расход сырьевых материалов.

Местное законодательство может обеспечить сбор старых электрических продуктов отдельно от бытового мусора на муниципальных свалках отходов, или Вы можете сдавать их в торговом предприятии при покупке нового изделия.

Фирма BLACK+DECKER обеспечивает приём и переработку отслуживших свой срок изделий BLACK+DECKER. Чтобы воспользоваться этой услугой, Вы можете сдать Ваше изделие в любой авторизованный сервисный центр, который собирает их по нашему поручению.

Вы можете узнать место нахождения Вашего ближайшего авторизованного сервисного центра, обратившись в Ваш местный офис BLACK+DECKER по адресу, указанному в данном руководстве по эксплуатации. Кроме того, список авторизованных сервисных центров BLACK+DECKER и полную информацию о нашем послепродажном обслуживании и контактах Вы можете найти в интернете по адресу: www.2helpU.com.

Гарантийные условия

Компания Black + Decker уверена в качестве выпускаемых ею продуктов и предлагает пользователям исключительные условия гарантийного обслуживания. Данное гарантийное свидетельство является дополнением к Вашим законным правам, и никоим образом не ущемляет вышеуказанные права. Гарантия действительна в пределах территорий государств-членов Европейского союза и Европейской зоны свободной торговли. Если какой-либо продукт Black + Decker выйдет из строя из-за дефектов материалов, производственного брака или несоответствия стандартам в течение 24 месяцев со дня покупки, компания BLACK+DECKER гарантирует осуществление бесплатной замены всех неисправных частей, ремонта такого продукта или замены самого продукта, за исключением тех случаев, когда:

- Продукт использовался для торговли, в профессиональной деятельности или сдавался напрокат;
- Продукт подвергся неправильной эксплуатации или небрежному обращению;
- Продукт был повреждён посторонними предметами, веществами или в результате несчастного случая;
- Ремонт продукта проводился посторонними лицами и не персоналом авторизованных сервисных центров Black + Decker.

Чтобы подать заявку на гарантийное обслуживание, Вам необходимо представить доказательство покупки продавцу или персоналу авторизованного сервисного центра. Вы можете узнать место нахождения Вашего ближайшего авторизованного сервисного центра, обратившись в Ваш местный офис BLACK+DECKER по адресу, указанному в данном руководстве по эксплуатации. Кроме этого, список авторизованных сервисных центров BLACK+DECKER и полную информацию о нашем послепродажном обслуживании и контактах Вы можете найти в интернете по адресу: www.2helpU.com Посетите наш сайт www.blackanddecker.ru, чтобы зарегистрировать Ваш новый продукт Black + Decker и всегда оставаться в курсе появления новых продуктов и специальных предложений. Дополнительная информация о марке Black + Decker и ассортименте нашей продукции доступна на сайте www.blackanddecker.ru.



Гарантийные условия

Уважаемый покупатель!

1. Поздравляем Вас с покупкой высококачественного изделия Black + Decker и выражаем признательность за Ваш выбор.
2. При покупке изделия требуйте проверки его комплектности и исправности в Вашем присутствии, инструкцию по эксплуатации и заполненный гарантийный талон на русском языке.

В гарантийном талоне должны быть внесены: модель, дата продажи, серийный номер, дата производства инструмента; название, печать и подпись торговой организации. При отсутствии у Вас правильно заполненного гарантийного талона мы будем вынуждены отклонить Ваши претензии по качеству данного изделия.

3. Во избежание недоразумений убедительно просим Вас перед началом работы с изделием внимательно ознакомиться с инструкцией по его эксплуатации.

Правовой основой настоящих гарантийных условий является действующее Законодательство.

Гарантийный срок на данное изделие составляет 24 месяца и исчисляется со дня продажи. В случае устранения недостатков изделия, гарантийный срок продлевается на период его нахождения в ремонте.

Срок службы изделия - 5 лет со дня продажи.

4. В случае возникновения каких-либо проблем в процессе эксплуатации изделия рекомендуем Вам обращаться только в уполномоченные сервисные центры Black + Decker, адреса и телефоны которых Вы сможете найти в гарантийном талоне, на сайте www.2helpU.com или узнать в магазине. Наши сервисные станции - это не только квалифицированный ремонт, но и широкий ассортимент запчастей и принадлежностей.
5. Производитель рекомендует проводить периодическую проверку и техническое обслуживание изделия в уполномоченных сервисных центрах.

6. Наши гарантийные обязательства распространяются только на неисправности, выявленные в течение гарантийного срока и вызванные дефектами производства и \ или материалов.
7. Гарантийные обязательства не распространяются на неисправности изделия, возникшие в результате:
 - 7.1. Несоблюдения пользователем предписаний инструкции по эксплуатации изделия, применения изделия не по назначению, неправильном хранении, использования принадлежностей, расходных материалов и запчастей, не предусмотренных производителем.
 - 7.2. Механического повреждения (сколы, трещины и разрушения) внутренних и внешних деталей изделия, основных и вспомогательных рукояток, сетевого электрического кабеля, вызванного внешним ударным или любым иным воздействием.
 - 7.3. Попадания в вентиляционные отверстия и проникновение внутрь изделия посторонних предметов, материалов или веществ, не являющихся отходами, сопровождающими применение изделия по назначению, такими как: стружка, опилки, песок, и пр.
 - 7.4. Воздействие на изделие неблагоприятных атмосферных и иных внешних факторов, таких как дождь, снег, повышенная влажность, нагрев, агрессивные среды, несоответствие параметров питающей электросети, указанным на инструменте.
 - 7.5. Стихийного бедствия. Повреждение или утрата изделия, связанное с непредвиденными бедствиями, стихийными явлениями, в том числе вследствие действия непреодолимой силы (пожар, молния, потоп и другие природные явления), а так же вследствие перепадов напряжения в электросети и другими причинами, которые находятся вне контроля производителя.
8. Гарантийные условия не распространяются:
 - 8.1. На инструменты, подвергавшиеся вскрытию, ремонту или модификации вне уполномоченной сервисного центра.
 - 8.2. На детали и узлы, имеющие следы естественного износа, такие как: приводные ремни и колеса, угольные щетки, смазка, подшипники, зубчатое зацепление редукторов, резиновые уплотнения, сальники, направляющие ролики, муфты, выключатели, бойки, толкатели, стволы и т.п.
 - 8.3. на сменные части: патроны, цанги, зажимные гайки и фланцы, фильтры, аккумуляторные батареи, ножи, шлифовальные подошвы, цепи, звездочки, пильные шины, защитные кожухи, пилки, абразивы, пильные и абразивные диски, фрезы, сверла, буры и т.п.
 - 8.4. На неисправности, возникшие в результате перегрузки инструмента (как механической, так и электрической), повлекшей выход из строя одновременно двух и более деталей и узлов, таких как: ротора и статора, обеих обмоток статора, ведомой и ведущей шестерни редуктора и других узлов и деталей. К безусловным признакам перегрузки изделия относятся, помимо прочих: появление цветов побежалости, деформация или оплавление деталей и узлов изделия, потемнение или обугливание изоляции проводов электродвигателя под воздействием высокой температуры.

Изготовитель

Блэк энд Деккер Холдингс ГмбХ
Германия, 65510, Идштайн,
ул. Блэк энд Деккер, 40

Kullanım amacı

BLACK+DECKER tornavidanız vida takma/sökme uygulamaları için tasarlanmıştır. Bu alet sadece hafi f hizmet ve hobi kullanımı içindir.

Güvenlik talimatları

Genel elektrikli alet güvenlik uyarıları



Uyarı! Bütün güvenlik uyarılarını ve talimatlarını mutlaka okuyun. Aşağıda yer alan uyarılar ve talimatların herhangi birisine

uyulmaması elektrik çarpması, yangın ve/ veya ciddi yaralanma riskine neden olabilir.

Bütün uyarı ve güvenlik talimatlarını ileride bakmak üzere saklayın. Aşağıda yer alan uyarılardaki «elektrikli alet» terimi şebeke elektriğiyle (kablolu) veya akü/pille (şarjlı) çalışan elektrikli aletinizi ifade etmektedir.

1. Çalışma alanının güvenliği

- Çalışma alanını temiz ve aydınlık tutun.** Karışık veya karanlık alanlar kazaya davetiye çıkarır.
- Elektrikli aletleri, yanıcı sıvılar, gazlar ve tozların bulunduğu yerler gibi yanıcı ortamlarda çalıştırmayın.** Elektrikli aletler, toz veya dumanları ateşleyebilecek kıvılcımlar çıkarır.
- Bir elektrikli aleti çalıştırırken çocuklardan ve etraftaki kişilerden uzak tutun.** Dikkatinizi dağıtıcı şeyler kontrolü kaybetmenize neden olabilir.

2. Elektrik güvenliği

- Elektrikli aletlerin fişleri prizlere uygun olmalıdır. Fiş üzerinde kesinlikle hiçbir değişiklik yapmayın. Topraklı elektrikli aletlerde hiçbir adaptör fi şi kullanmayın.** Değiştirilmemiş fi şler ve uygun prizler elektrik çarpması riskini azaltacaktır.
- Borular, radyatörler, ocaklar ve buzdolapları gibi topraklanmamış yüzeylerle vücut temasından kaçının.** Vücudunuzun topraklanması halinde yüksek bir elektrik çarpması riski vardır.
- Elektrikli aletleri yağmura maruz bırakmayın veya ıslatmayın.** Elektrikli alete su girmesi elektrik çarpması riskini arttıracaktır.

- Elektrik kablosunu uygun olmayan amaçlarla kullanmayın. Elektrikli aleti kesinlikle kablosundan tutarak taşımayın, çekmeyin veya prizden çıkartmayın. Kabloyu sıcaaktan, yağdan, keskin kenarlardan veya hareketli parçalardan uzak tutun.** Hasarlı veya dolaşmış kablolar elektrik çarpması riskini artırır.
 - Elektrikli bir aleti açık havada çalıştırıyorsanız, açık havada kullanıma uygun bir uzatma kablosu kullanın.** Açık havada kullanıma uygun bir kablunun kullanılması elektrik çarpması riskini azaltır.
 - Eğer bir elektrikli aletin nemli bir bölgede çalıştırılması zorluyorsa, bir artık akım aygıtı (RCD) korumalı bir kaynak kullanın.** Bir RCD kullanılması elektrik şoku riskini azaltır.
- ### 3. Kişisel güvenlik
- Elektrikli bir aleti kullanırken her zaman dikkatli olun, yaptığınız işe yoğunlaşın ve sağduyulu davranın. Elektrikli bir aleti yorgunken veya ilaç ya da alkolün etkisi altındayken kullanmayın.** Elektrikli aletleri kullanırken bir anlık dikkatsizlik ciddi kişisel yaralanmayla sonuçlanabilir.
 - Kişisel koruyucu ekipmanları mutlaka kullanın. Daima koruyucu gözlük takın.** Koşullara uygun toz maskesi, kaymayan güvenlik ayakkabıları, baret veya kulaklık gibi koruyucu donanımların kullanılması kişisel yaralanmaları azaltacaktır.
 - İstem dışı çalıştırılmasını önleyin. Aleti güç kaynağına ve/veya aküye bağlamadan, yerden kaldırmadan veya taşımadan önce tetiğin kapalı konumda olduğundan emin olun.** Aleti, parmağınız tetik üzerinde bulunacak şekilde taşımak veya açık konumdaki elektrikli aletleri elektrik şebekesine bağlamak kazaya davetiye çıkarır.
 - Elektrikli aleti açmadan önce tüm ayarlama anahtarlarını çıkartın.** Elektrikli aletin hareketli bir parçasına takılı kalmış bir anahtar kişisel yaralanmaya neden olabilir.
 - Ulaşmakta zorlandığınız yerlerde kullanmayın. Daima sağlam ve dengeli basın.** Bu, beklenmedik durumlarda elektrikli aletin daha iyi kontrol edilmesine olanak tanır.

- f. Uygun şekilde giyinin. Bol elbiseler giymeyin ve takı takmayın. Saçınızı, elbiselerinizi ve eldivenlerinizi hareketli parçalardan uzak tutun. Bol elbiseler ve takılar veya uzun saç hareketli parçalara takılabilir.
- g. Eğer kullandığınız üründe toz emme ve toplama özellikleri olan ataşmanlar varsa bunların bağlı olduğundan ve doğru şekilde kullanıldığından emin olun. Bu toz toplama ataşmanların kullanılması tozla ilgili tehlikeleri azaltabilir.
4. Elektrikli aletlerin kullanımı ve bakımı
- a. Elektrikli aleti zorlamayın. Uygulamanız için doğru elektrikli aleti kullanın. Doğru elektrikli alet, belirlendiği kapasite ayarında kullanıldığında daha iyi ve güvenli çalışacaktır.
- b. Tetik açmıyor ve kapatmıyorsa elektrikli aleti kullanmayın. Tetikle kontrol edilemeyen tüm elektrikli aletler tehlikelidir ve tamir edilmesi gerekmektedir.
- c. Herhangi bir ayarlama, aksesuar değişimi veya elektrikli aletlerin saklanması öncesinde fi şi güç kaynağından çekin ve/veya aküyü elektrikli aletten ayırın. Bu tür önleyici güvenlik tedbirleri aletin istem dışı olarak çalıştırılması riskini azaltacaktır.
- d. Elektrikli aleti, çocukların ulaşamayacağı yerlerde saklayın ve elektrikli aleti tanımayan veya bu talimatları bilmeyen kişilerin elektrikli aleti kullanmasına izin vermeyin. Elektrikli aletler, eğitimsiz kullanıcıların elinde tehlikelidir.
- e. Elektrikli aletleri iyi durumda muhafaza edin. Hareketli parçalardaki hizalama hatalarını ve tutuklukları, parçalardaki kırılmalar ve elektrikli aletin çalışmasını etkileyebilecek tüm diğer koşulları kontrol edin. Hasarlı ise, elektrikli aleti kullanmadan önce tamir ettirin. Kazaların çoğu, elektrikli aletlerin bakımının yeterli şekilde yapılmamasından kaynaklanır.
- f. Kesim aletlerini keskin ve temiz tutun. Bakımı uygun şekilde yapılmış keskin kesim uçlu kesim aletlerinin sıkışma ihtimali daha düşüktür ve kontrol edilmesi daha kolaydır.
- g. Elektrikli aleti, aksesuarlarını ve aletin diğer parçalarını kullanırken bu talimatlara mutlaka uyun
- ve çalışma ortamının koşullarını ve yapılacak işin ne olduğunu göz önünde bulundurun. Elektrikli aletin öngörülen işlemler dışındaki işlemler için kullanılması tehlikeli durumlara neden olabilir.
5. Akü/pille çalışan aletin kullanımı ve bakımı
- a. Sadece üretici tarafından belirtilen şarj cihazı ile şarj edin. Bir akü tipine uygun bir şarj cihazı başka tipte bir aküyü şarj etmek için kullanıldığında yangın riski yaratabilir.
- b. Elektrikli aletleri yalnızca özel olarak tanımlanmış akülerle kullanın. Başka bir akünün kullanılması yaralanma veya yangın riskine yol açabilir.
- c. Akü kullanımda değilken, ataç, bozuk para, anahtar, çivi, vida veya terminaler arasında kontağa neden olabilecek diğer küçük metal nesnelere uzak tutulmalıdır. Akü terminalerinin birbirine kısa devre yapılması yanıklara veya yangına neden olabilir.
- d. Sıra dışı koşullarda sıvı aküden dışarı akabilir, temastan kaçının. Yanlışlıkla cilde temas edilirse su ile yıkayın. Gözle temas durumunda ayrıca doktora başvurun. Aküden sıvı akması ciltte tahriş veya yanmaya neden olabilir.
6. Servis
- a. Elektrikli aletinizi, sadece orijinal yedek parçaları kullanıldığı yetkili servise tamir ettirin. Bu, elektrikli aletin güvenliğinin muhafaza edilmesini sağlayacaktır.

Elektrikli el aletleri için ek güvenlik talimatları



Uyarı! Tornavidalar ve somun sıklmalar için ek güvenlik talimatları

- Darbeli matkap ile çalışırken kulaklık takın. Yüksek sese maruz kalmak işitme kaybına yol açabilir.
- Aletle birlikte verilmiş olan yardımcı tutma kollarını kullanın. Kontrol kaybı kişisel yaralanmalara neden olabilir.
- Bağlantı parçasının gizli kablolarla temas edebileceği yerlerde çalışma yaparken elektrikli aleti yalıtımlı kavrama yüzeylerinden tutun. Bağlantı parçalarının «akım taşıyan» bir kabloya temas etmesi durumunda

elektrikli aletin metal kısımları da «akım taşıyıcı» hale gelecek ve kullanıcının elektrik çarpmasına neden olabilir.

- **Üzerinde çalıştığınız parçayı sabitlemek ve desteklemek için kelepçeler veya başka pratik yöntemler kullanın.** Parçayı elle veya vücudunuza dayamanız dengesiz durmasına neden olacaktır ve aletin kontrolünü kaybetmenize yol açabilir.
- Kullanım amacı bu kullanım kılavuzunda açıklanmıştır. Herhangi bir aksesuarın veya bağlantının ya da işlemin, bu kılavuzda tavsiye edilen şekilden başka bir şekilde kullanılması şahısların yaralanmalarına ve/veya mal kaybına yol açabilir.



Uyarı! Darbeli tornavidalar, somun sıkma makineleri ile karıştırılmamalıdır. Bu aleti bağlantı elemanlarını belirli bir tork kuvveti ile sıkılmak için kullanmayın. Gereğinden az veya fazla sıkılmış bağlantı elemanlarının bağlantı hatasına yol açabileceği durumlarda, tork anahtarı gibi bağımsız ve kalibre edilmiş bir tork ölçme cihazının kullanılması gerekir.

Diğer kişilerin güvenliği

- Bu alet fi ziksel ve zihinsel kapasitesinin yanı sıra algılama gücü azalmış olan veya yeterince deneyim ve bilgisi bulunmayan kişiler (çocuklar dahil) tarafından kullanılmak üzere üretilmemiştir. Bu tür kişileri aleti ancak güvenliklerinden sorumlu bir kişi tarafından aletin kullanımıyla ilgili talimatların verilmesi veya sürekli kontrol altında tutulması durumunda kullanabilir.
- Çocuklar, aletle oynamalarını önlemek amacıyla kontrol altında tutulmalıdır.

Diğer tehlikeler

Aletin kullanımıyla ilgili ekte sunulan güvenlik uyarılarına dahil olmayan ilave kalıcı riskler ortaya çıkabilir. Bu riskler, hatalı, uzun süreli kullanım vb. dolayısıyla ortaya çıkabilir.

Emniyet tedbirlerini düzenleyen yönetmeliğin uygulanmasına ve emniyet sağlayıcı aygıtların kullanılmasına rağmen, başka belirli risklerden kaçınılamaz. Bunlar:

- Aletin dönen ve hareket eden parçalarına dokunma sonucu ortaya çıkan yaralanmalar.

- Herhangi bir parçayı, bıçak veya aksesuarı değiştirirken ortaya çıkan yaralanmalar.
- Aletin uzun süreli kullanılması sonucu ortaya çıkan yaralanmalar. Herhangi bir aleti uzun sürelerle kullanacaksanız düzenli olarak çalışmanıza ara verin.
- Duyma bozukluğu.
- Aleti kullanırken ortaya çıkan tozun solunması sonucu ortaya çıkan sağlık sorunları (örnek: ahsapta çalışırken, özellikle meşe, akgürgen ve MDF).

Titreşim

Teknik veriler ve uygunluk beyanati içerisinde belirtilen titreşim emisyon değerleri EN60745 tarafından belirlenen standart bir test yöntemine uygun olarak ölçülmektedir ve diğer bir aletle karşılaştırma yaparken kullanılabilir. Beyan edilen titreşim emisyon değeri aynı zamanda maruz kalmanın önceden değerlendirilmesinde de kullanılabilir.

Uyarı! Elektrikli aletin mevcut kullanımı sırasındaki titreşim emisyon değeri, aletin kullanım yöntemine bağlı olarak, beyan edilen değere göre farklılık sergileyebilir. Titreşim düzeyi belirlenen seviyenin üzerinde artış gösterebilir.

İşyerinde düzenli olarak elektrikli alet kullanan çalışanları korumak amacıyla 2002/44/EC tarafından getirilen elektrik güvenliği önlemlerini belirlemek üzere titreşime maruz kalmayı değerlendirirken, çalışma döngüsü içerisinde örneğin aletin kapalı olduğu ve aktif durumda olmasının yanı sıra boşta çalıştığı zamanlar gibi, bütün zaman dilimleri dahil olmak üzere mevcut kullanım durumu ve aletin kullanım şekli göz önünde bulundurularak değerlendirilmelidir.

Alet üzerindeki etiketler

Alet üzerinde, aşağıdaki uyarı sembolleri bulunmaktadır:



Uyarı! Yaralanma riskini en aza indirmek için kullanıcı kullanım talimatlarını mutlaka okumalıdır.

Şarj cihazları ve aküler için ek güvenlik talimatları

Aküler

- Kesinlikle, hiçbir nedenle açmaya çalışmayın.
- Aküyü suya batırmayın.

- Sıcaklığın 40 °C'yi aşabileceği yerlerde saklamayın.
- Sadece 10 °C ila 40 °C arasındaki ortam sıcaklıklarında şarj edin.
- Sadece aletle birlikte verilen şarj cihazını kullanarak şarj edin.
- Aküleri atarken, «Çevrenin korunması» başlıklı bölümdeki talimatlara uyun.

Şarj cihazları

- BLACK+DECKER şarj cihazınızı, yalnızca aletle birlikte verilen aküyü şarj etmek için kullanın. Diğer aküler patlayarak yaralanmanıza veya hasar meydana gelmesine yol açabilir.
- Şarj edilme özelliği olmayan aküleri kesinlikle şarj etmeye çalışmayın.
- Hasarlı kabloların hemen değiştirilmesini sağlayın.
- Şarj cihazını suya batırmayın.
- Şarj cihazını açmayın.
- Şarj cihazını delmeyin.



Şarj cihazı, yalnızca kapalı alanda kullanım içindir.



Aletle çalışmaya başlamadan önce bu kılavuzu okuyun.



Arıza güvenli yalıtım transformatörü. Şebeke elektrik çıkışı elektrikselsel olarak transformatör çıkışından ayrılmıştır.



Çevre ısısı çok yükselir ise şarj cihazı otomatik olarak kapanır. Bunun sonucunda şarj cihazı işletim dışı kalacaktır. Cihazın fişi prizden çekilmeli ve onarım için bir yetkili servise götürülmelidir.

Elektrik güvenliği



Şarj cihazınız çift yalıtımlıdır; Bu yüzden hiçbir topraklama kablosuna gerek yoktur. Her zaman şebeke geriliminin aletin üretim etiketinde belirlenmiş değerlere uyup uymadığını kontrol edin. Şarj cihazını kesinlikle normal bir elektrik fişi ile değiştirmeye kalkışmayın.

- Elektrik kablosu hasarlı ise, bir tehlike oluşmasını önlemek için üretici ya da yetkili BLACK+DECKER Servis Merkezi tarafından değiştirilmelidir.

Uyarı! Şarj cihazını kesinlikle normal bir elektrik fişi ile değiştirmeye kalkışmayın.

Özellikler

Bu alette aşağıdaki özelliklerin bazıları veya tümü bulunur.

1. Açma/kapama düğmesi
2. İleri/geri kaydırıcı
3. Uç tutucu
4. LED çalışma ışığı
5. Şarj cihazı
6. Şarj cihazı fişi
7. Şarj cihazı konektörü

Montaj

Matkap veya tornavida ucunu takmak ve çıkartmak (Şekil B)

Bu alette, 6,35 mm (1/4") altıgen gövdeli tornavida ve matkap uçları kullanılmaktadır.

- Bir ucu takmak için ucu, uç tutucuya (3) sokun.
- Bir ucu çıkartmak için ucu, uç tutucudan (3) çekin.

Not: Şekil E-J'de gösterilen dik açılı ataşman alet ile birlikte verilmeyebilir.

Kullanımı

Uyarı! Aletin kendi hızında çalışmasına izin verin. Aşırı yüklenmeyin.

- İlk kullanımdan önce akünün en az 15 saat şarj edilmesi gerekmektedir.

Akünün şarj edilmesi (Şekil C)

- Şarj cihazı fi şini (6) şarj cihazı bağlantısına (7) takın.
- Şarj cihazını (5) prize takın.
- Aleti 15 saat süreyle şarj cihazına bağlı bırakın.

Şarj sırasında şarj cihazı ısınabilir ve hum; bu normal bir durumdur ve bir sorun olduğuna işaret etmez.

Uyarı! CS3651LC şarj etmek için sadece aletle verilen şarj cihazını kullanın.

Uyarı! Ortam sıcaklığı 10 °C'den düşük veya 40 °C'den yüksekse aküyü şarj etmeyin.

Dönme yönünün seçilmesi (Şekil D)

Delik açma ve vida sıkma uygulamaları için ileri dönmeyi kullanın. Vidaları gevşetmek veya sıkışmış bir matkap ucunu çıkartmak için geri dönmeyi kullanın.

- İleri dönmeyi seçmek için ileri/geri sürgüsünü (2) sağa itin.
- Geri dönmeyi seçmek için ileri/geri sürgüsünü (2) sola itin.
- Aleti kilitlemek için ileri/geri sürgüsünü orta konuma getirin.

Delme/vida takma ve sökme

- İleri geri sürgüsünü (2) kullanarak ileri veya geri yönde dönme fonksiyonunu seçin.
- Aleti açmak için, açma/kapama tetiğine (1) basın.
- Aleti kapatmak için açma/kapama tetiğini (1) bırakın.

LED çalışma ışığı

LED çalışma ışığı (4) tetiğe basıldığında otomatik olarak etkinleştirilir. LED, tetiğe basıldığında ve ileri/geri kaydırıcı (2) kilitli kapalı konumunda (orta konum) olduğunda da yanacaktır.

En uygun kullanım için yararlı tavsiyeler**Vida takma ve sökme**

- Daima doğru tipte ve boyutta tornavida ucu takın.

- Vidaları sıkmakta zorlanıyorsanız, yağlayıcı olarak az miktarda deterjan veya sabun kullanmayı deneyin.
- Mil kilidini fazla sıkılmış vidaları sökmek veya vidaları sıkıca vidalamak için kullanın.
- Aleti ve tornavida ucunu daima vidaya dik bir çizgide tutun.
- Ahşapta vidalama yaparken, vidanın uzunluğu ile eş derinlikte kılavuz delik açılması tavsiye edilir. Kılavuz delik vidanın sürülmesini kolaylaştırır ve ahşabın çatlamasını önler. En uygun kılavuz delik ölçüsü için aşağıdaki tabloya bakın.
- Sert ahşapta vidalama yaparken, ayrıca vidanın uzunluğunun yarısı kadar tasfi ye deliği açılması tavsiye edilir. Tasfi ye deliği vidanın sürülmesini kolaylaştırır ve ahşabın çatlamasını önler.

Vida ebadı	Kılavuz delik çapı (yumuşak ahşap)	Kılavuz delik çapı (sert ahşap)	Tasfi ye deliği çapı
No. 6 (3,5 mm)	2,0 mm	2,5 mm	3,6 mm
No. 8 (4 mm)	2,5 mm	3,0 mm	4,5 mm
No. 10 (5 mm)	3,0 mm	3,5 mm	5,0 mm

Kılavuz delik açılması

- Daima matkap ucuna düz bir çizgide hafi f bir baskı uygulayın.
- Matkap ucu, üzerinde çalıştığımız parçanın öbür yüzünden çıkmadan hemen önce alet üzerindeki baskıyı azaltın.
- Parçalanabilecek parçaları desteklemek için ağaç bir takoz kullanın.
- Doğruluğu geliştirmek için, delinecek deliğin ortasına bir merkez zımbası ile çentik atın.

Aksesuarlar

Aletinizin performansı kullanılan aksesuara bağlıdır. BLACK+DECKER ve Piranha aksesuarları, yüksek kalite standartlarına göre üretilmiş ve aletinizin performansını

arttıracak şekilde tasarlanmıştır. Bu aksesuarları kullanarak, aletinizden en iyi verimi alacaksınız. Bu alette, 1/4" (6,35 mm) altıgen gövdeli tornavida uçları kullanılmaktadır. Super-lok aksesuarları bu aletle kullanılmak üzere tasarlanmıştır.

Bakım

BLACK+DECKER aletiniz minimum bakımla uzun bir süre çalışacak şekilde tasarlanmıştır. Kesintisiz olarak memnuniyet verici bir şekilde çalışması gerekli özenin gösterilmesine ve düzenli temizliğe bağlıdır.

Şarj cihazınız, düzenli temizlik dışında herhangi bir bakım gerektirmemektedir.

Uyarı! Alet üzerinde herhangi bir bakım veya temizlik işlemi gerçekleştirmeden önce şarj cihazını prizden çekin.

- Aletinizdeki ve şarj cihazındaki havalandırma deliklerini yumuşak bir fırça veya kuru bir bezle düzenli olarak temizleyin.
- Motor muhafazasını düzenli olarak nemli bir bezle silin. Aşındırıcı veya çözücü bazlı temizleyiciler kullanmayın.
- Uç tutucuyu düzenli olarak tamamen açın ve içindeki tozu dökmek için hafifçe vurun.

Aküler



Aletin içinde bakımı kullanıcı tarafından yapılabilecek herhangi bir parça yoktur.

- Ürünlerinizin hizmet ömürlerinin sonunda aküyü geri dönüşüme sokmak için bütün aleti yetkili servise veya yerel toplama merkezine teslim edin. Bu ürün, evsel atıklarla birlikte atılmamalıdır.

Teknik veriler

CS3651LC (H1)		
Gerilim	V _{DC}	3,6
Yüksüz hızı	min-1	180
Sert yüzey torku	Nm	5,84
Azami tork	Nm	5,0
Uç tutucu	mm	6,35 (1/4")
Ağırlık	kg	0,32

Batarya 906146** H1		
Gerilim	V	3,6
Batarya türü		Li-Ion
AHr değeri		1,5

Şarj cihazı 905450** H1		
Gerilim	V _{AC}	230
Yakl. şarj süresi	saat	15
Ağırlık	kg	0,14

EN 60745'e göre ses basıncı düzeyi:

Ses basıncı (L_{pA}) 54 dB(A), belirsizlik (K) 3 dB(A),
Akustik güç (L_{wA}) 65 dB(A), belirsizlik (K) 3 dB(A)

EN 60745'e göre tespit edilen toplam titreşim değerleri (üç yönün vektör toplamı):

Darbesiz vidalama (a_{n, IS}) 0,3 m/s², belirsizlik (K) 1,5 m/s²

AT Uygunluk Beyanati

.MAKİNE DİREKTİFİ

**CS3651LC**

Black & Decker, «teknik özellikleri» bölümünde açıklanan bu ürünlerin aşağıda belirtilen yönergelere uygun olduğunu beyan eder: 2006/42/EC, EN 60745-1, EN 60745-2-2.

Bu ürünler ayrıca 2014/30/EU ve 2011/65/EU Direktiflerine de uygundur. Daha fazla bilgi için, lütfen aşağıdaki adresten Black & Decker ile irtibata geçin veya kılavuzun arkasına bakın.

Bu belge altında imzası bulunan yetkili, teknik dosyanın derlenmesinden sorumludur ve bu beyanı Black & Decker adına vermiştir.

R. Laverick

Mühendislik Bölümü Müdürü
Black & Decker Europe
210 Bath Road, Slough
Berkshire, SL1 3YD
İngiltere
19.01.2015

Çevrenin korunması

Ayrı olarak atın. Bu ürün, normal evsel atıklarla birlikte atılmamalıdır.

BLACK+DECKER ürününüzün değiştirilmesi gerektiğini düşünmeniz veya artık kullanılamaz durumda olması halinde onu, evsel atıklarla birlikte atmayın. Bu ürünü, ayrı olarak toplanacak şekilde atın.



Kullanılmış ürünlerin ve ambalajların ayrı olarak toplanması bu maddelerin geri dönüşüme sokularak yeniden kullanılmasına olanak tanır. Geri dönüşümlü maddelerin tekrar kullanılması çevre kirliliğinin önlenmesine yardımcı olur ve ham madde ihtiyacını azaltır.

Yerel yönetmelikler, elektrikli ürünlerin evlerden toplanıp belediye atık tesislerine aktarılması veya yeni bir ürün satın alırken perakende satıcı tarafından toplanması yönünde hükümler içerebilir.

BLACK+DECKER, hizmet ömrünün sonuna ulaşan BLACK+DECKER ürünlerinin toplanması ve geri dönüşme sokulması için bir imkan sunmaktadır. Bu hizmetin avantajlarından faydalanmak için, lütfen, ürününüzü bizim adımıza teslim alacak herhangi bir yetkili servise iade edin.

Bu kılavuzda belirtilen listeden size en yakın BLACK+DECKER yetkili tamir servisinin yerini öğrenebilirsiniz. Ya da, alternatif olarak internet'ten BLACK+DECKER yetkili tamir servislerinin listesini ve satış sonrası hizmetlerimizle ilgili tüm bilgiler ve temas bilgilerine aşağıdaki siteden ulaşabilirsiniz. www.2helpU.com

Garanti

Black + Decker, ürünün kalitesinden emindir ve bu yüzden kanunlarda belirtilen taleplerin üstünde bir garanti verir. Ayrıca bu garanti hiçbir şekilde garanti ile ilgili kanuni haklarınızı ihlal etmez ve haklarınızı hiç bir şekilde kısıtlamaz. İşbu garanti Avrupa Birliği'ne üye ülkeler ile Avrupa Serbest Ticaret Bölgesi sınırları dahilinde geçerlidir.

Eğer bir Black + Decker ürünü, satın alma tarihinden itibaren 24 ay içinde hatalı malzeme, işçilik ya da uygunsuzluk nedeniyle bozulursa, müşteriye mümkün olabilecek en az sorunu yaşatarak BLACK+DECKER hatalı kısımları değiştirmeyi, adil bir şekilde aşınmış ve yıpranmış ürünleri tamir etmeyi veya değiştirmeyi garanti eder. Ancak bu belirtilenler şu durumlar dışında geçerlidir:

- Ürün ticari veya profesyonel amaçlarla kullanılmışsa veya kiraya verilmişse;
- Ürün yanlış veya amaç dışı kullanılmışsa;
- Ürün yabancı nesnelere, maddelere veya kaza sırasında zarar görmüşse;
- Yetkili tamir servisleri veya Black + Decker servis ekibinden başkası tarafından tamir edilmeye çalışılmışsa.

Garanti talebinde bulunmak için, satıcıya veya yetkili tamir servisine satın aldığınızda dair ispat sunmalısınız. Fatura ve garanti kartı gerekmektedir. Bu kılavuzda belirtilen listeden size en yakın BLACK+DECKER yetkili tamir servisinin yerini öğrenebilirsiniz. Ya da, alternatif olarak internet'ten BLACK+DECKER yetkili tamir servislerinin listesini ve satış sonrası hizmetlerimizle ilgili tüm bilgiler ve temas bilgilerine aşağıdaki siteden ulaşabilirsiniz. www.2helpU.com

Область застосування

Ваша викрутка виробництва компанії BLACK+DECKER розроблена для використання при виконанні загвинчування. Цей інструмент призначений лише для побутового викорис- тання.

Інструкції з техніки безпеки

Загальні правила безпеки для електричного інструменту



Попередження! Перед використанням інструменту уважно прочитайте всі попередження та інструкції. Невиконання попереджень та інструкцій, наведених нижче, може призвести до ураження електричним струмом, пожежі та/або серйозних травм.

Збережіть всі попередження та інструкції для використання в майбутньому. Термін „елек- тричний інструмент „ в усіх попередженнях, пере- рахованих нижче, стосується використовуваних Вами інструментів, що працюють від мережі енергоспоживання (з використанням електрич- ного кабелю) або акумуляторів (без кабелю).

1. Безпека робочої зони

- a. **Тримайте робочу зону чистою та добре освітленою.** Неупорядковані та темні робочі зони збільшують ймовірність нещасного ви- падку.
- b. **Не використовуйте електричні інстру- менти у вибухонебезпечній атмосфері, наприклад, у присутності вогненебез- печних рідин, газів та пилу.** Електричні інструменти створюють іскри, що можуть запалити пил або випаровування.
- c. **Тримайте дітей та сторонніх подалі під час використання інструменту.** Від- вернення уваги може призвести до втрати контролю.

2. Електрична безпека

- a. **Вилка електричного інструменту має від- повідати розетці. Ніколи ніяким чином не змінюйте вилку. Не використовуйте адаптерів із заземленими електричними інструментами.** Немодифіковані вилки та розетки, що підходять до них, зменшують ризик ураження електричним струмом.
- b. **Уникайте контакту тіла з заземленими поверхнями, такими як труби, радіатори, плити та холодильники.** Якщо Ваше тіло заземлене, збільшується ризик ураження електричним струмом.

- c. **Не залишайте електричні інструменти під дощем або за умов підвищеної вологості.** Вода, що потрапляє в електричний інстру- мент, підвищує ризик ураження електричним струмом.
- d. **Не використовуйте кабель живлення не за призначенням. Ніколи не використовуй- те шнур для перенесення, витягування та відключення від розетки живлення електричного інструменту.** Тримайте шнур подалі від високих температур, мастила, гострих предметів та рухомих деталей. Пошкоджені або перекручені шну- ри підвищують ризик враження електричним струмом.
- e. **При використанні елек- тричного ін- струменту на вулиці, використовуйте подовжуючий шнур, що підходить для використання на поза приміщеннями.** Використання шнура, що підходить для вулиці, знижує ризик ураження електричним струмом.
- f. **Якщо неможливо уникнути використання електричного інструменту за умов підви- шеної вологості, використовуйте живлен- ня, захищене пристроєм залишкового струму (RCD).** Використання RCD знижує ризик ураження електричним струмом.

3. Особиста безпека

- a. **Будьте в стані готовності, дивіться, що ви робите, та використовуйте загальний глузд, коли ви працюєте з електричним інструментом. Не використовуйте елек- тричний інструмент, коли ви втомлені або знаходитесь під впливом наркотичних речовин, алкоголю або ліків.** Втрата уваги при роботі з електричним інструментами може призвести до серйозних травм.
- b. **Використовуйте особисті засоби безпеки. Завжди використовуйте засоби захисту очей.** Засоби безпеки, такі як протипилова маска, неслизькі безпечні чоботи, твердий капелюх та засоби захисту слухового апа- рату, які використані для відповідних умов, зменшують ймовірність особистих травм.
- c. **Уникайте випадкового запуску. Переко- найтесь в тому, що вимикач знаходиться в позиції Вимк. перед підключенням до джерела живлення та/або акумулятора, переміщенням або перенесенням при- строю.** Перенесення інструменту, тримаючи палець на вимикачі, або підключення жив- лення з перемикачем в позиції Увімк. може призвести до нещасного випадку.

- d. Зніміть всі налаштувальні ключі або гайкові ключі перед тим, як вмикати електричний інструмент. Гайковий ключ, що залишився прикріпленим до якоїсь деталі електричного пристрою, що обертається, може призвести до травм.
- e. Не перенапружуйтеся. Завжди утримуйте правильну постановку ніг і рівновагу. Це дає вам змогу краще контролювати інструмент в неочікуваних ситуаціях.
- f. Вдягайте відповідний одяг. Не вдягайте вільний одяг чи прикраси. Тримайте ваше волосся, одяг та рукавички подалі від рухомих деталей. Вільний одяг, прикраси або довге волосся може зачепитися за рухомі деталі.
- g. Якщо передбачені пристрої для підключення до засобів виділення та збирання пилу, переконайтеся, що вони правильно підключені та використовуються. Використання таких пристроїв зменшує ризик виникнення небезпечних ситуацій, що пов'язані з потраплянням пилу.
- #### 4. Використання та догляд за електричним інструментом
- a. Не використовуйте надмірні зусилля при роботі з інструментом. Використовуйте відповідний електричний інструмент для вашої задачі. Правильно обраний інструмент виконає завдання краще та безпечніше за умов, для яких він був розроблений.
- b. Не використовуйте інструмент, вмикач якого не вмикає та не вимикає його. Будь-який електричний інструмент, який не може управлятися вмикачем, є небезпечним і має бути відремонтований.
- c. Відключіть вилку від джерела живлення та/або зніміть акумуляторний блок з інструменту перед тим, як робити будь-які налаштування, змінювати додаткове обладнання чи зберігати інструмент. Ці профілактичні заходи зменшують ризик випадкового запуску електричного інструменту.
- d. Зберігайте вимкнені електричні інструменти подалі від дітей та не дозволяйте особам, що не знайомі з електричним інструментом або цими інструкціями, використовувати електричний інструмент. Електричні інструменти є небезпечними, якщо вони використовуються некваліфікованими користувачами.
- e. Технічне обслуговування електричних інструментів. Перевіряйте на відсутність вирівнювання або заїдання рухомих деталей, ушкоджених частин та інших умов, що можуть впливати на роботу електричного інструменту. Якщо є ушкодження, відремонтуйте електричний інструмент перед використанням. Багато нещасних випадків є результатом того, що інструмент не пройшов відповідного технічного обслуговування.
- f. Тримайте ріжучі інструменти гострими та чистими. Правильно доглянуті ріжучі інструменти з гострими ріжучими кромками мають меншу ймовірність заїдання, та ними легше керувати.
- g. Використовуйте електричний інструмент, додаткові інструменти та деталі інструменту тощо у відповідності до цих інструкцій, зважаючи на умови використання та роботу, яка має бути виконана. Використання електричних інструментів не за призначенням може призвести до виникнення небезпечних ситуацій.
- #### 5. Використання та догляд за інструментом, що працює від акумулятора
- a. Заряджайте інструмент лише за допомогою зарядного пристрою, що вказаний виробником. Зарядний пристрій, що підходить до одного типу акумуляторів, може призвести до пожежі, коли використовується з іншим акумулятором.
- b. Використовуйте електричні інструменти лише зі спеціально розробленим акумулятором. Використання інших акумуляторів може призвести до травм або пожежі.
- c. Коли акумулятори не використовуються, зберігайте їх подалі від металевих предметів, як скріпки, монети, ключі, цвяхи, гвинти або інші невеликі предмети, що можуть призвести до замикання двох контактів. Зімкнення терміналів акумулятора може призвести до вибуху або пожежі.
- d. За невідповідних умов використання рідина може витікати з батареї, уникайте контакту з цією рідиною. При випадковому контакті змийте відповідне місце водою. Якщо рідина потрапила в очі, необхідно звернутися до лікаря. Рідина, що витікає з батареї, може призвести до подразнень та опіків.
- #### 6. Обслуговування
- a. Надавайте електричний інструмент для обслуговування кваліфікованим спеціалістом з ремонту та використовуйте тільки ідентичні замінні деталі. Це забезпечить безпеку електричного пристрою, що обслуговується.

Додаткові правила безпеки для електричного інструменту



Попередження! Додаткові попереджен-ня щодо техніки безпеки для викруток та гайковертів

- Використовуйте засоби захисту органів слуху при роботі з ударним дрилем. Шум може викликати втрату слуху.
- Використовуйте додаткові ручки, що надаються з цим інструментом. Втрата контролю над інструментом може викликати травми.
- Тримайте інструмент за ізольовану по-верхню при виконанні операцій, коли кріпильний елемент може торкнутися схованої проводки. Контакт кріпильних елементів з дротом під напругою може при-звести до появи напруги в інструменті та ураження оператора електричним струмом.
- Використовуйте затискачі або інший спо-сіб закріплення деталі, що оброблюється, на стабільній платформі. Утримування заготовки в руці та біля тіла робить її не- стабільною та може призвести до втрати контролю.
- Використання за призначенням описане в цьому керівництві з використання. Ви- користання аксесуарів або приладдя, або виконання будь-яких дій з інструментом, що суперечать рекомендаціям цього керів- ництва, може призвести до ризику травми- вання людини та/або пошкодження майна.



Попередження! Гайковенти ударної дії не є динамометричними гайковертами. Не використовуйте цей інструмент для затягування кріплення на певну кількість обертів. Окремий калібрований пристрій вимірювання моменту обертання, на-приклад, динамометричний гайковерт, необхідно використовувати, коли недо-статньо або надмірно затягнуті кріплен- ня можуть призвести до пошкодження з'єднання.

Безпека сторонніх людей

- Цей пристрій не призначений для вико- ристання особами (включаючи дітей) із зниженими фізичними, сенсорними або розумовими можливостями або особами, яким бракує досвіду або знань за винятком випадків, коли такі особи працюють під наглядом або отримали інструкції щодо використання пристрою від особи, яка несе відповідальність за їх безпеку.
- Діти повинні знаходитись під контролем, щоб гарантувати, що вони не будуть грати з пристроєм.

Залишкові ризики.

При використанні інструменту можуть виникнути додаткові залишкові ризики, які можуть бути не внесені до попереджень щодо техніки безпеки цього керівництва. Ці ризики можуть виникнути як результат неправильного використання, тривалого використання, тощо.

Незважаючи на виконання всіх відповідних правил техніки безпеки та використання при- строїв безпеки, неможливо уникнути деяких залишкових ризиків. Сюди належать:

- Травми через контакт з деталями, що руха- ються/обертуються.
- Травми при заміні деталей, пильних полотен або аксесуарів.
- Травми через занадто тривале використання інструменту. При використанні будь-якого інструменту протягом тривалого періоду часу не забувайте робити регулярні перерви.
- Порушення слуху.
- Небезпека для здоров'я через вдихання пилу, що утворюється при використанні ін- струменту (наприклад, при роботі з деревом, особливо з дубом, березою та ДВП).

Вібрація

Значення вібрації, вказані в технічних даних та в декларації про відповідність виміряні з до- триманням стандартних методів тестування, наданих в стандарті EN 60745, та їх можна вико- ристовувати для порівняння одного інструменту з іншим. Задекларовані значення вібрації можна також використовувати для попередньої оцінки впливу вібрації.

Попередження! Значення вібрації під час ви- користання інструменту може відрізнитися від задекларованого в залежності від способів ви- користання інструменту. Рівень вібрації може перевищувати вказані значення.

При оцінці впливу вібрації для визначення за- ходів безпеки за вимогами 2002/44/ЕС, щоб за- хистити людей, що регулярно використовують інструменти в роботі, необхідно враховувати реальні умови та способи використання інстру- менту, включаючи врахування всіх періодів робочого циклу, наприклад, часу, коли інстру- мент вимкнено та коли він знаходиться в ре- жимі очікування, а також часу реальної роботи інструменту.

Написи на інструменті

На інструменті є наступні символи:



Попередження! Щоб зменшити ризик травм, користувач повинен прочитати керівництво з експлуатації.

Додаткові інструкції з техніки безпеки для батарей та зарядних пристроїв

Батареї

- Ніколи не намагайтесь відкривати батарею.
- Не занурюйте батарею у воду.
- Не зберігайте у місцях, де температура може перевищувати 40 °С.
- Заряджайте лише при температурі навколишнього середовища між 10 °С та 40 °С.
- Заряджайте лише за допомогою зарядного пристрою, що надається з інструментом.
- При викиданні батарей виконуйте інструкції, наведені в розділі „Захист навколишнього середовища“.

Зарядні пристрої

- Використовуйте зарядний пристрій BLACK+DECKER лише для зарядки батарей того інструменту, з яким він продавався. Інші батареї можуть вибухнути, спричинивши травми та пошкодження.
- Ніколи не намагайтесь заряджати батареї, що не підлягають зарядці.
- негайно замінійте пошкоджений шнур живлення.
- Не піддавайте зарядний пристрій впливу води.
- Не відкривайте корпус зарядного пристрою.
- Не розбирайте зарядний пристрій.



Зарядний пристрій призначений лише для використання у приміщенні.



Прочитайте інструкції цього керівництва перед використанням.



Надійний розділовий трансформатор. Живлення від мережі змінного струму є відділене від виходу трансформатора.



Зарядний пристрій автоматично відключається, коли температура навколишнього середовища стає занадто високою. В результаті зарядний пристрій може припинити працювати. Необхідно відключити його від мережі живлення та віднести в офіційний сервісний центр для ремонту.

Електрична безпека



Цей зарядний пристрій має подвійну ізоляцію; тому заземлення не є необхідним. Завжди перевіряйте, що джерело живлення відповідає напрузі, що вказана на табличці з паспортними даними. Ніколи не намагайтесь замінити зарядний пристрій звичайним мережним штепселем.

- Якщо шнур живлення пошкоджений, його необхідно замінити у виробника або в офіційному сервісному центрі компанії BLACK+DECKER для уникнення небезпеки.

Попередження! Ніколи не намагайтесь замінити зарядний пристрій звичайним мережним штепселем.

Деталі

Цей інструмент містить всі чия деякі з наведених нижче деталей

1. Вимикач
2. Повзунковий регулятор напрямку обертання
3. Гніздо для наконечника-викрутки
4. Світлодіод робочого освітлення
5. Зарядний пристрій
6. Електричний з'єднувач зарядного пристрою
7. Зарядне гніздо

Збирання

Встановлення та знімання свердла або викрутки-вставки (мал. В)

Цей інструмент використовує вставки та свердла з шестиграним хвостовиком 6,35 мм (1/4").

- Щоб встановити біту, вставте її хвостовик у тримач вставки (3).
- Щоб витягнути біту, потягніть за її хвостовик та витягніть її з тримача (3).

Примітка. Прямокутна насадка, показана на мал. Е-І, може не входити до комплекту вашого інструменту.

Використання

Попередження! Інструмент повинен працювати із рекомендованою швидкістю. Не перевантажуйте його.

- Перед першим використанням необхідно зарядити батарею на протязі щонайменше 15 годин.

Зарядка батареї (мал. С)

- Вставте штепсель зарядного пристрою (6) у конектор (7).
- Підключіть зарядний пристрій до розетки (5).
- Залишіть інструмент підключеним до зарядного пристрою протягом щонайменше 15 годин.

Зарядний пристрій може стати теплим під час зарядки; це нормально та є показником проблеми.

Попередження! Використовуйте лише зарядний пристрій, що надається для зарядки пристрою CS3651LC.

Попередження! Не заряджайте батарею при температурі навколишнього середовища нижче 10 °C або вище 40 °C.

Вибір напрямку обертання (мал. D)

Для свердління та затягування шурупів використовуйте обертання вперед.

Для викручування шурупів та витягування застисненого свердла використовуйте обертання у зворотному напрямку.

- Щоб обрати обертання вперед, зсуньте кнопку вперед/назад (2) вправо.
- Щоб обрати обертання у зворотному напрямку, зсуньте кнопку вперед/назад (2) вліво.
- Щоб заблокувати інструмент, пересуньте кнопку вперед/назад у центральне положення.

Свердління/використання викрутки

- Виберіть напрямок руху вперед чи назад, використовуючи кнопку зміни напрямку обертання вперед/назад (2).
- Для ввімкнення інструменту натисніть перемикач Увімк./Вимк. (1).
- Щоб вимкнути інструмент, відпустіть перемикач Увімк./Вимк. (1).

Світлодіод робочого освітлення

Світлодіод робочого освітлення (4) вмикається автоматично при натисканні вимикача. Крім того, він світиться, коли вимикач відпущено, а перемикач напрямку обертання (2) переведено в положення блокування (центральне).

Примітки для оптимального використання

Використання викрутки

- Завжди використовуйте правильний тип та розмір викрутки-вставки.
- Якщо гвинти важко затягуються, спробуйте застосувати невелику кількість мийної рідини чи мила в якості мастила.
- Використовуйте блокування шпінделя, щоб відкрити дуже сильно затягнуті шурупи.
- Завжди тримайте інструмент та викрутку-вставку по прямій лінії з гвинтом.
- При закручуванні гвинтів у дерево рекомендується зробити базовий отвір глибиною, рівною довжині гвинта. Базовий отвір буде спрямовувати гвинт та допоможе уникнути розколювання та пошкодження дерева. Інформацію щодо оптимального розміру базового отвору можна знайти в таблиці нижче.
- При закручуванні гвинтів у тверде дерево також зробіть отвір з гарантованим зазором глибиною, рівною половині довжини шурупа. Інформацію щодо оптимального розміру отвору з гарантованим зазором можна знайти в таблиці нижче.

Розмір гвинта	Базовий отвір Ø (м'яке дерево)	Базовий отвір Ø (тверде дерево)	Отвір з зазором
No. 6 (3,5 мм)	2,0 мм	2,5 мм	3,6 мм
No. 8 (4 мм)	2,5 мм	3,0 мм	4,5 мм
No. 10 (5 мм)	3,0 мм	3,5 мм	5,0 мм

Свердління базових отворів

- Завжди дещо натискайте на інструмент, спрямовуючи силу по прямій лінії зі свердлом.
- Безпосередньо перед тим, як кінець свердла з'явиться з іншої сторони заготовки, зменшіть тиск на інструмент.

- Використовуйте дерев'яну планку для за- хисту заготовки, яка може розколотися.
- Зробіть помітку, використовуючи кернер, біля центру отвору, що буде просвердлений, щоб поліпшити точність.

Витратні матеріали

Продуктивність роботи інструменту залежить від витратних матеріалів, які Ви використо- вуєте. Витратні матеріали виробництва фірм BLACK+DECKER та Piranha розроблені з до- триманням високих стандартів якості та створені для підвищення ефективності використання вашого інструменту. Використовуючи ці матері- али, Ви отримаєте максимум ефективності від вашого інструменту. Цей інструмент використо- вує біти з шестигранним хвостовиком розміром 1/4" (6,35 мм). Витратні матеріали виробництва компанії Piranha Super-lok розроблені для ви- користання з цим інструментом.

Технічне обслуговування

Ваш інст рументвиробництва компанії BLACK+DECKER призначений для роботи про- тягом довгого часу з мінімальним обслугову- ванням. Довга задовільна робота інструменту залежить від відповідного обслуговування інструменту та регулярного його очищення.

Ваш зарядний пристрій не вимагає технічного обслуговування, лише необхідно проводити регулярне очищення.

Попередження! При виконанні будь-якого обслуговування інструменту відключіть заряд- ний пристрій від мережі живлення перед його очищенням.

- Регулярно очищуйте вентиляційні отвори інструменту та зарядного пристрою, вико- ристовуючи м'яку щітку або суху ганчірку.
- Регулярно очищуйте корпус мотору, ви- користовуючи вологу ганчірку. Не викорис- товуюйте абразивні очищувачі та засоби, що містять розчинники.
- Регулярно відкривайте затискний патрон та струшуйте його, щоб видалити пил з серед- ини (якщо патрон наявний).

Батареї



Всередині відсутні деталі, які користувач може обслуговувати самостійно.

- Наприкінці терміну служби батареї поверніть її агенту з обслуговування або на місцеву станцію переробки

для переробки батареї. Не викидайте батарею разом із побутовим сміттям.

Технічні дані

CS3651LC (H1)		
Напруга	В (постійний струм) 3,6	
Швидкість без навантаження	хв. ⁻¹	180
Крутильний момент у стані повної зупинки	Нм	5,84
Макс. обертаючий момент	Нм	5,0
Гніздо для наконечника-виротки	мм	6,35 (1/4")
Маса	кг	0,32

Акумулятор 906146** H1		
Напруга	В	3,6
Тип акумулятора	Li-Ion	
Ємність, Ампер-год	1,5	

Зарядний пристрій 905450** H1		
Напруга	В (змінний струм)	230
Орієнтовний час заряджання	годин	15
Вага	кг	0,14

Рівень звукового тиску згідно з EN 60745:	
Звуковий тиск (L_{pA})	54 дБ(A), похибка (K) 3 дБ(A),
Звукова потужність (L_{WA})	65 дБ(A), похибка (K) 3 дБ(A)

Загальні значення вібрації (векторна сума трьох векторів) згідно з EN 60745:	
Свердління без удару ($a_{h, IS}$)	0,3 м/с ² , похибка (K) 1,5 м/с ²

Заява про відповідність ЄС

ДИРЕКТИВА ДЛЯ МЕХАНІЧНОГО
ОБЛАДНАННЯ



CS3651LC

Компанія Black & Decker заявляє, що продукти, описані в розділі „Технічні дані” відповідають: 2006/42/EC, EN 60745-1, EN 60745-2-2.

Ці продукти також відповідають Директиві 2014/30/EU і 2011/65/EU. Для отримання до-даткової інформації, будь ласка, зверніться до компанії Black & Decker за наступною адресою або прочитайте інформацію на зворотній стороні цього керівництва.

Нижчепідписаний несе відповідальність за упорядкування файлу технічних характеристик та робить цю заяву від компанії Black & Decker.

Р. Лаверік (R. Laverick)

Технічний директор
Black & Decker Europe
210 Bath Road, Slough
Berkshire, SL1 3YD
Великобританія
19.01.2015

Захист навколишнього середовища



Окреме збирання. Цей продукт не можна викидати разом зі звичайним побутовим сміттям.

Якщо якимось ви вирішите, що ваш виріб фірми BLACK+DECKER має бути замінено, або він вам більше не потрібний, не викидайте його на смітник побутового сміття. Зробіть цей виріб доступним для спеціального збирання.



Окремий збір використаних виробів та упаковки дозволяє повторно переробляти та використовувати матеріали. Переробка повторно використовуваних матеріалів допомагає попередити забруднення навколишнього середовища та зменшує потребу в сировині.

Місцеві законодавчі акти можуть передбачати окремий збір електричного обладнання в муніципальних місцях для збору сміття або продавцями при покупці нового обладнання.

Компанія BLACK+DECKER має можливість для збору та переробки продуктів власного виробництва після закінчення їхнього терміну служби. Щоб скористатися цією послугою, поверніть виріб компанії в офіційний сервісний центр, які збирають відпрацьовані продукти за наш рахунок.

Ви можете знайти місцезнаходження найближчого до Вас сервісного центру, зв'язавшись з місцевим офісом компанії BLACK+DECKER за адресою, вказаною в цих інструкціях. Крім того, список офіційних сервісних центрів компанії BLACK+DECKER з усіма подробицями нашого післяпродажного обслуговування та контактною інформацією міститься в Інтернеті за адресою: www.2helpU.com.

Гарантія

Компанія Black & Decker впевнена в якості своєї продукції та пропонує чудові умови гарантії. Ці гарантійні умови є додатковими та в якійсь мірі підтверджують ваші законні права. Ця гарантія є дійсною на території країн-членів Європейсько-го Союзу та в європейській зоні вільної торгівлі.

Якщо продукт Black & Decker стає несправним через неякісні матеріали, конструкцію або не-відповідність вимогам протягом 24 місяці з дня покупки, компанія Black & Decker гарантує за-міну несправних деталей, ремонт продуктів, що піддалися зносу, або заміну таких продуктів для забезпечення мінімальних незручностей для споживачів, за винятком випадків, коли:

- Виріб використовувався в професійних цілях та об'ємах.
- Продукт використовувався не за призначенням або не обслуговувався.
- Продукт зазнав механічних пошкоджень, викликаних зовнішніми предметами, речовинами або іншим впливом.
- Продукт намагалися відремонтувати особи, які не є працівниками офіційного сервісного центру або персоналом з ремонту компанії Black & Decker.

Щоб отримати гарантійне обслуговування, вам необхідно надати доказ покупки продавцеві або агенту з ремонту. Ви можете знайти місцезнаходження найближчого до Вас сервісного центру, зв'язавшись з місцевим офісом компанії Black & Decker за адресою, вказаною в цих інструкціях. Крім того, список офіційних сервісних центрів компанії Black & Decker з усіма подробицями нашого післяпродажного обслуговування та контактною інформацією міститься в Інтернеті за адресою: www.2helpU.com.

Будь ласка, відвідайте наш веб-сайт www.blackanddecker.co.uk, щоб зареєструвати свій новий продукт BLACK+DECKER та отримувати інформацію про нові продукти та спеціальні пропозиції. Для отримання додаткової інформації про торгову марку BLACK+DECKER та наші продукти відвідайте наш сайт за адресою www.blackanddecker.co.uk.



Гарантійні умови

(Оригинальные инструкции)

УКРАЇНСЬКА

Шановний покупець!

1. Вітаємо Вас з покупкою високоякісного виробу BLACK + DECKER і висловлюємо вдячність за Ваш вибір.
2. При покупці виробу вимагайте перевірки його комплектності і справності у Вашій присутності, інструкцію за експлуатації та заповнений гарантійний талон українською мовою.

В гарантійному талоні повинні бути внесені: модель, дата продажу, серійний номер, дата виробництва інструменту; назва, печатка і підпис торгової організації. За відсутності у Вас правильно заповненого гарантійного талону, а також при невідповідності зазначених у ньому даних ми будемо змушені відхилити Ваші претензії щодо якості даного виробу.
3. Щоб уникнути непорозумінь, переконливо просимо Вас перед початком роботи з виробом уважно ознайомитися з інструкцією з його експлуатації. Правовою основою справжніх гарантійних умов є чинне Законодавство. Гарантійний термін на даний виріб складає 24 місяці і обчислюється з дня продажу. У разі усунення недоліків виробу, гарантійний строк продовжується на період його перебування в ремонті. Термін служби виробу становить 5 років з дня продажу.
4. У разі виникнення будь-яких проблем у процесі експлуатації виробу рекомендуємо Вам звертатися тільки в уповноважені сервісні центри BLACK + DECKER, адреси та телефони яких Ви зможете знайти в гарантійному талоні, на сайті www.2helpU.com або дізнатися в магазині. Наші сервісні станції - це не тільки кваліфікований ремонт, але і широкий асортимент запчастин і аксесуарів.
5. Виробник рекомендує проводити періодичну перевірку і технічне обслуговування виробу в уповноважених сервісних центрах.
6. Наші гарантійні зобов'язання поширюються тільки на несправності, виявлені протягом гарантійного терміну і викликані дефектами виробництва та \ або матеріалів.
7. Гарантійні умови не поширюються на несправності виробу, що виникли в результаті:
 - 7.1 Недотримання користувачем приписів інструкції з експлуатації виробу, застосування виробу не за призначенням, неправильного зберігання, використання приладдя, витратних матеріалів і запчастин, що не передбачені виробником.
 - 7.2 Механічного пошкодження (відколи, тріщини і руйнування) внутрішніх і зовнішніх деталей виробу, основних і допоміжних рукояток, мережевого кабелю, що викликані зовнішнім ударним або будь-яким іншим впливом

- 7.3 Потрапляння у вентиляційні отвори та проникнення всередину виробу сторонніх предметів, матеріалів або речовин, що не є відходами, які супроводжують застосування виробу за призначенням, такими як: стружка, тирса, пісок, та ін.
- 7.4 Впливу на виріб несприятливих атмосферних і інших зовнішніх факторів, таких як дощ, сніг, підвищена вологість, нагрівання, агресивні середовища, невідповідність параметрів електромережі, що зазначені на інструменті.
- 7.5 Стихийного лиха. Пошкодження або втрати виробу, що пов'язані з непередбаченими лихами, стихійними явищами, у тому числі внаслідок дії непереборної сили (пожежа, блискавка, потоп і інші природні явища), а також внаслідок перепадів напруги в електромережі та іншими причинами, які знаходяться поза контролем виробника.
8. Гарантійні умови не поширюються:
 - 8.1. На інструменти, що піддавались розкриттю, ремонту або модифікації поза уповноваженим сервісним центром.
 - 8.2. На деталі, вузли та матеріали, що мають сліди природного зносу, такі як: приводні ремені і колеса, вугільні щітки, мастило, підшипники, зубчасті зчеплення редукторів, гумові ущільнювачі, сальники, направляючі ролики, муфти, вимикачі, бойки, штовхачі, стволи тощо.
 - 8.3. На змінні частини: патрони, цанги, затискні гайки і фланці, фільтри, акумуляторні батареї, ножі, шліфувальні підшви, ланцюги, зірочки, пильні шини, захисні кожухи, пилки, абразиви, пильні і абразивні диски, фрези, свердла, бури тощо
 - 8.4. На несправності, що виникли в результаті переважання інструменту (як механічного, так і електричного), що спричинили вихід з ладу одночасно двох і більше деталей і вузлів, таких як: ротора і статора, обох обмоток статора, веденої і ведучої шестерень редуктора або інших вузлів і деталей. До безумовних ознак переважання виробу відносяться, крім інших: поява кольорів мінливості, деформація або оплавлення деталей і вузлів виробу, потемніння або обуглювання ізоляції проводів електродвигуна під впливом високої температури.



Виробник:
"Stanley Black & Decker Deutschland GmbH" Black-&-Decker Str.40, D-65510 Idstein, Німеччина

الضمان

تتفق بلاك أند ديكر بجودة منتجاتها وتقدم ضماناً مميزاً. ويكون بيان الضمان هذا بالإضافة ولا يخل بأي حال من الأحوال بالحقوق القانونية. ويسري هذا الضمان داخل إقليم الدول الأعضاء في الإتحاد الأوربي ومنطقة التجارة الحرة الأوروبية.

إذا أصبح منتج بلاك أند ديكر معيباً بسبب عيوب المواد والصناعة وعدم المطابقة، تضمن بلاك أند ديكر في غضون ٢٤ شهراً من تاريخ الشراء استبدال الأجزاء المعيبة وإصلاح المنتجات مع مراعاة البلي باستخدام العادي أو استبدال هذه المنتجات للتأكد من رضا العملاء ما لم:

- تم استخدام المنتج لأغراض تجارية أو مهنية أو للتأجير.
- إهمال أو إساءة استخدام المنتج.
- تعرض المنتج لتلف بسبب مواد أو أغراض غريبة أو الحوادث.
- محاولة إجراء عمليات الإصلاح من قبل الأشخاص الآخرين بخلاف وكلاء الإصلاح المصرح بهم أو فريق الخدمة التابع لبلاك أند ديكر.

للمطالبة بالضمان، يجب تقديم إثباتات الشراء للبائع أو وكيل البيع المعتمد. ويمكنك معرفة مكان أقرب وكيل إصلاح معتمد بمراجعة مكتب بلاك أند ديكر المحلي في العنوان المشار إليه في الدليل. كما تتوفر قائمة بوكلاء الإصلاح المعتمدين لدى بلاك أند ديكر وبيانات خدمات ما بعد البيع والاتصال على الموقع الإلكتروني: www.2helpU.com.

يرجى مراجعة موقعنا الإلكتروني www.blackanddecker.co.uk لتسجيل منتجك الجديد. من بلاك أند ديكر ولمعرفة أحدث المنتجات والعروض الخاصة. وللحصول على المزيد من المعلومات حول علامة بلاك أند ديكر ومنتجاتنا، يرجى زيارة www.blackanddecker.co.uk.

حماية البيئة

تجميع منفصل. يجب عدم إلقاء هذا المنتج مع
المخلفات المنزلية.



إذا تبين لك في أحد الأيام بأنه يجب تبديل جهاز بلاك أند ديكر
الخاص بك أو لم تعد بحاجة لاستخدامه. لا تتخلص منه مع
المخلفات المنزلية. وقم بتوفير هذا المنتج للتجميع المنفصل.

يمكن التجميع المنفصل للمنتجات والعبوات
المستخدمة من إعادة تدوير المواد واستخدامها مرة
أخرى، إذ يساعد إعادة استخدام المواد المعاد تدويرها على منع
التلوث البيئي وخفض الطلب على المواد الخام



قد تنص التشريعات المحلية على تجميع منفصل للمنتجات
الكهربائية عن المخلفات المنزلية في مواقع مخلفات البلدية أو
تاجر التجزئة عند شراء منتج جديد.

توفر بلاك أند ديكر منشأة لتجميع وإعادة تدوير منتجات بلاك
أند ديكر عند وصول تلك المنتجات لنهاية عمرها النافع.
وللاستفادة من هذه الخدمة، يرجى إعادة المنتج إلى أي وكيل
إصلاح معتمد الذي سيقوم بتجميع المنتجات نيابة عنا.

يمكنك معرفة مكان أقرب وكيل إصلاح معتمد بمراجعة مكتب
بلاك أند ديكر المحلي في العنوان المشار إليه في الدليل. كما
تتوفر قائمة بوكلاء الإصلاح المعتمدين لدى بلاك أند ديكر
وبيانات خدمات ما بعد البيع والاتصال على الموقع الإلكتروني:
www.2helpU.com

إقرار التوافق مع التوجيهات الأوروبية
توجيه الآلات

CS3651LC

تقر بلاك & ديكر أن هذه المنتجات المدرجة تحت "البيانات الفنية"
تتوافق مع: المعايير والتشريعات EC/2006/42 و EN
60745-2 و 60745-1

تتوافق هذه المنتجات مع التوجيه 2014/30 EU و 2011/65 E.
وللمزيد من المعلومات، يرجى الاتصال ببلاك & ديكر على العنوان
التالي أو الرجوع إلى الوجه الخلفي للدليل. الموقع أدناه مسؤول عن
تحضير الملف الفني وتقديم هذا الإقرار نيابة عن بلاك أند ديكر.

أ. ر. لا فيريك

رئيس قسم الهندسة

بلاك & ديكر يورب، 210 باث روود،

بلدة سلاو، مقاطعة باركشير، إس إل 3 واي دي

المملكة المتحدة

29/10/2014

البيانات الفنية

عمل الثقوب التجريبية

CS3651LC (H1)		
٣,٦	فولط تيار مباشر	الجهد الكهربائي
١٨٠	دقيقة-١	السرعة بدون تحميل
٥,٨٤	نيوتن متر	عزم الدوران الإيقافي
٥,٠	نيوتن متر	أقصى عزم دوران
٦,٣٥ (٤/١ بوصة)	ملم	حامل اللقم
٠,٢٢	كجم	الوزن

906146** H1		
٣,٦	فولط	الجهد الكهربائي
ليثيوم أيون		النوع
١,٥		تصنيف أمبير ساعة

905450** H1		
٢٣٠	فولط تيار متردد	الجهد الكهربائي
١٥	ساعة	وقت الشحن التقريبي
٠,١٤	كجم	الوزن

EN ٦٠٧٤٥ مستوى ضغط الصوت وفقاً لمعيار الاتحاد الأوروبي	
ضغط الصوت (LpA): ٦٠ ديسيبل (A), نسبة الشك (K) ٣ ديسيبل (A)	
قوة الصوت (LWA): ٧١ ديسيبل (A), نسبة الشك (K) ٣ ديسيبل (A)	
إجمالي قيم الذبذبات (مجموع متجهات ثلاثية المحاور) وفقاً لمعيار الاتحاد الأوروبي EN ٦٠٧٤٥:	
فك وربط البراغي دون دق (ah, IS) ٠,٣ م/ث ٢ نسبة الشك (K) ١,٥ م/ث ٢	

- استخدم ضغطاً خفيفاً ببط مستقيم مع لقمة الثقب.
- خفض الضغط على الجهاز قبل اختراق المثقاب للجزء الآخر من قطعة العمل.
- استخدم قطعة من الخشب لدعم قطع العمل التي قد تنشط.
- اصنع ثلم أولى باستخدام ثاقبة متوسطة في مركز الحفرة المراد ثقبها لتحسين مستوى دقة الثقب.

الملحقات

يعتمد أداء الجهاز على نوع الملحقات المستخدمة. وتم تصميم ملحقات بلاك + ديكر وبيرانا وتصنيعها وفقاً لمعايير رفيعة الجودة لتحسين أداء الجهاز. ويمكن لاستخدام هذه الملحقات أن يساعدك على تشغيل الجهاز بسهولة ويسر. يستخدم هذا الجهاز لقم مفك البراغي 1/4 بوصة (6.35 ملم) سداسية الأضلاع. صُممت ملحقات بيرانا سوبر لوك خصيصاً لاستخدام هذا الجهاز.

الصيانة

تم تصميم هذه الأداة للعمل لفترة طويلة من الزمن مع أقل قدر من الصيانة. يتوقف استمرار عمل الأداة بشكل مرضٍ على مدى الاعتناء بها وتنظيفها بشكل منتظم.

لا يتطلب الشاحن أي صيانة بخلاف تنظيفه بشكلٍ منتظم.

تحذيراً! أفضل الجهاز من مآخذ التيار قبل أداء أي صيانة للجهاز.

- احرص على تنظيف فتحات التهوية الموجودة بالأداة وبالشاحن بانتظام باستخدام فرشاة ناعمة أو قطعة قماش جافة.
- احرص على تنظيف حجرة المحرك بانتظام باستخدام قطعة قماش رطبة. تجنب استخدام أي أدوات كاشطة أو منظفات ذات أساس مذيّب.
- افتح الظرف (قابض لقم المفك) بانتظام واطرقه لإزالة أي غبار عالق بداخله.

البطاريات

لا توجد أي أجزاء يمكن للمستخدم صيانتها داخل الجهاز.



- أعد الوحدة كاملة في نهاية عمر المنتجات إلى وكيل الخدمة الخاص بك أو إلى محطة إعادة تدوير محلية لإعادة تدوير البطارية. ولا تلقي الوحدة مع النفايات المنزلية.

5. الشاحن

6. قابس الشاحن

7. وصلة الشحن

التجميع

تركيب وإزالة لقمة الثقب أو لقمة مفك البراغي (شكل ب)

يستخدم هذا الجهاز لقم مفك البراغي ولقم المثقاب 1/4 بوصة (6.35 ملم) سداسية الأضلاع.

• لتركيب لقمة، أدخل عمود اللقمة في حامل اللقم (3).

• لإزالة اللقمة، اسحب عمود اللقمة من حامل اللقم (3).

ملاحظة: قد لا يتضمن الجهاز ملحق الزاوية اليمنى المبين في الشكل هـ - ي.

الاستخدام

تحذير! دع الأداة تعمل حسب إمكانياتها ولا تزد الحمولة عليها.

• يجب شحن البطارية لمدة 15 ساعة على الأقل قبل الاستخدام لأول مرة.

شحن البطارية (شكل ج)

• أدخل قابس الشاحن (6) في وصلة الشاحن (7).

• ضع الشاحن (5) في القابس.

• اترك الجهاز متصل بالشاحن لمدة 15 ساعة.

• قد يحدث الشاحن طنيناً وترتفع درجة حرارته قليلاً أثناء الشحن، وهذا أمر عادي ولا يشير إلى وجود أي مشكلة.

تحذير! استخدم الشاحن المقدم لشحن جهاز CS3651LC فقط

• تحذير! لا تشحن البطارية عندما تكون درجة حرارة الغرفة أقل من 4 درجة مئوية أو أكثر من 40 درجة مئوية.

تحديد اتجاه الدوران (الشكل د)

• للثقب وربط البراغي، استخدم الدوران للأمام. ولفك البراغي أو إزالة لقمة الثقب المضغوطة، استخدم الدوران للعكس.

• لاختيار الدوران الأمامي، ادفع المنزلق الأمامي/الخلفي (2) إلى الأمام.

• لاختيار الدوران الخلفي، ادفع المنزلق الأمامي/الخلفي إلى الخلف.

• لقلل الجهاز، اضبط المنزلق الأمامي/الخلفي على الوضع الأوسط.

الثقب / ربط وفك البراغي

• حدد الدوران إلى الأمام أو للخلف باستخدام المنزلق الأمامي / الخلفي (2).

• لبدء تشغيل الجهاز، اضغط على مفتاح بدء التشغيل / إيقاف التشغيل (1).

• لإيقاف تشغيل الجهاز، حرر مفتاح بدء التشغيل / إيقاف التشغيل (1).

مؤشر مضيء

يعمل المؤشر المضيء (4) تلقائياً عندما يكون صمام التشغيل مضغوطاً لأسفل. ويومض المؤشر المضيء عندما يكون صمام التشغيل مضغوطاً لأسفل ويكون المنزلق الأمامي / الخلفي (2) في وضع الإيقاف (الوضع الأوسط).

نصائح للاستخدام الأمثل

الفك

• احرص دائماً على استخدام لقمة المفك المناسبة من حيث النوع والحجم.

• إذا واجهت صعوبة في ربط أي من البراغي، استعمل قدر ضئيل من سائل أو صابون الغسيل للعمل كمرقّق.

• استخدم قفل عمود الدوران لتخفيف ربط البراغي محكمة الشد أو لإحكام ربط البراغي.

• احرص على أن تكون الأداة ولقمة المفك في خط مستقيم مع البراغي.

• عند التثبيت في الأسطح الخشبية، ينصح بعمل ثقب تجريبي بعمق مساو لطول البرغي، حيث يعمل هذا الثقب التجريبي على توجيه البرغي ومنع تمزق الخشب أو تشوهه. ولتحديد الحجم الأمثل للثقب التجريبي، انظر الجدول أدناه.

• عند التثبيت في الخشب الصلب، قم بعمل ثقب تفريجي بعمق مساو لنصف طول البرغي. ولتحديد الحجم الأمثل للثقب التفريجي، انظر الجدول أدناه.

ثقب تجريبي (خشب لين)	ثقب تجريبي (خشب صلب)	ثقب تجريبي (ثقب تفريجي)
٢,٥ ملم	٢,٠ ملم	رقم ٦ (٣,٥) ملم
٣,٠ ملم	٢,٥ ملم	رقم ٨ (٤) ملم
٣,٥ ملم	٣,٠ ملم	رقم ١٠ (٥) ملم

"حماية البيئة". لا تحاول شحن البطاريات التالفة.

الشاحن

- استخدم شاحن بلاك أند ديكر فقط لشحن بطارية الأداة الملحق بها. استخدام الشاحن لشحن بطاريات أخرى قد يؤدي إلى انفجارها مما يسبب إصابات وأضرار شخصية.
- لا تحاول أبداً شحن البطاريات غير القابلة للشحن.
- استبدل الأسلاك المعيبة على الفور.
- لا تعرض الشاحن للماء.
- لا تفتح الشاحن.
- لا تضغط على الشاحن بقوة زائدة.

تم تصميم الشاحن للاستعمال المنزلي فقط.



اقرأ كتيب التعليمات قبل الاستخدام.



عند الإخفاق في العزل الآمن للمحول الكهربائي، يتم فصل مصدر التيار الرئيسي من خرج المحول الكهربائي.



يتوقف الشاحن تلقائياً عن العمل إذا أصبحت درجة حرارة الغرفة عالية جداً. ولا يمكن تشغيل الشاحن جراء ذلك. لذا يجب فصل الوحدة من مصدر التيار الرئيسي وأخذها إلى مركز خدمة معتمد من أجل إصلاحه.



السلامة الكهربائية

تم تزويد الشاحن بطبقة عزل مزدوجة؛ ولذا لا يتطلب وجود سلك أرضي لتشغيله. تأكد دائماً من أن جهد منفذ الكهرباء الرئيسي متوافق مع الجهد المبين في لوحة المعايرة. لا تحاول أبداً أن تستبدل وحدة الشاحن بقباس عادي موصل لمنفذ الكهرباء الرئيسي مباشرة.

- في حالة تلف سلك توصيل الكهرباء، يجب استبداله من قبل جهة التصنيع أو أي مركز خدمة معتمد من بلاك أند ديكر لتجنب المخاطر.

تحذير! لا تحاول استبدال وحدة الشاحن بقباس تيار رئيسي عادي على الإطلاق.

المزايا

تتضمن هذه الأداة جميع أو بعض من المزايا التالية:

1. مفتاح بدء التشغيل / إيقاف التشغيل
2. المنزلق الأمامي / الخلفي
3. حامل اللقم
4. مؤشر مضيء

• الإصابات التي قد تقع بسبب تغيير أي قطعة أو شفرة أو غيرها من ملحقات الأداة.

• الإصابات التي قد تقع بسبب استخدام الأداة لمدة طويلة دون توقف. لذا احرص على أخذ استراحات منتظمة عند استخدام أداة كهربائية لمدة طويلة.

- ضعف السمع.
- المخاطر الصحية التي قد تقع بسبب استنشاق الغبار المتثار عند استخدام الأداة (مثل العمل على الخشب وخاصة البلوط والزان وإلم دي إف).

الاهتزاز

تم قياس قيم انبعاث الاهتزازات المعلنة والمبيّنة في المعلومات الفنية وإقرار التوافق وفقاً لأسلوب الاختبار الموحد بموجب المعيار EN 60745 ويمكن استخدام تلك القيم لمقارنة أداة كهربائية بأخرى. كما يمكن استخدام قيمة انبعاث الاهتزازات المعلنة في التقدير المبدئي للتعرض.

تحذير! قد تختلف قيمة انبعاث الاهتزازات أثناء الاستخدام الفعلي للأداة الكهربائية عن القيمة المعلنة بناء على طريقة استخدام الأداة. وقد يزيد كذلك مستوى الاهتزاز عن المستوى المحدد.

عند تقدير التعرض للاهتزاز لتحديد تدابير السلامة المطلوبة بموجب المعيار EC/2002/44 لحماية الأشخاص الذين يستخدمون الأدوات الكهربائية بانتظام في أداء أعمالهم، يجب أن يوضع في الحسبان ظروف الاستخدام الفعلية وطريقة استخدام الأداة، مع الأخذ في الاعتبار جميع أجزاء الدورة التشغيلية مثل أوقات إيقاف الأداة والمدة التي تترك فيها الأداة في وضع التشغيل دون استخدام، بالإضافة إلى وقت البدء.

البطاقات الملصقة على الأداة

الرموز التالية موضحة على الأداة:

تحذير! يتعين على المستخدم قراءة كتيب التعليمات جيداً لتقليل احتمالات وقوع الإصابات.



تعليمات إضافية لضمان سلامة البطاريات والشواحن

البطاريات

- لا تحاول أبداً أن تفتح البطارية لأي سبب من الأسباب.
- لا تعرض البطارية للماء.
- لا تخزن البطارية في أماكن تزيد درجة حرارتها عن 40 درجة مئوية.
- احرص على أن تكون درجة حرارة الهواء المحيط أثناء الشحن ما بين 10 إلى 40 درجة مئوية.
- لا تستخدم أي شواحن أخرى بخلاف الشاحن الملحق بالأداة.
- عند التخلص من البطاريات، اتبع التعليمات الواردة في قسم

تحذيرات إضافية لضمان السلامة عند استخدام الأدوات الكهربائية

تحذيراً! تحذيرات إضافية لضمان السلامة فيما يتعلق باستخدام المفكات والمفاتيح



- احرص على ارتداء واقي الأذن عند استخدام المفاتيح، فقد يؤدي التعرض للضوضاء إلى فقدان السمع.
- استخدم المفاتيح المساعدة إذا كانت مرفقة مع الأداة الكهربائية، فقد يؤدي فقد التحكم في الأداة لوقوع إصابات شخصية.
- احرص على الإمساك بالأداة الكهربائية بواسطة سطح عازل، حيث أن غطاء الأداة الكهربائية قد يكون موصلاً بسلك غير مرئية. ومن ثم قد تتسبب الأغطية الموصلة بسلوك عارية في توصيل الكهرباء للأجزاء المعدنية المكشوفة بالأداة، وحينئذ يصاب المستخدم بصدمة كهربائية.
- استخدم الملزمة أو أي طريقة عملية أخرى لتثبيت ودعم الغرض محل العمل بمنصة ثابتة. حيث أن الإمساك بالغرض محل العمل مقابل جسدك دون أن تضعه على منصة ثابتة يجعل ذلك الغرض غير مستقر، وبالتالي قد يؤدي ذلك إلى فقد التحكم في الأداة.
- يتضمن هذا الدليل بيان الغرض من استخدام الجهاز. قد يتسبب استخدام أي ملحقات أو كماليات أو أداء أي عملية باستخدام هذا الجهاز على نحو غير موصى به في دليل التعليمات في حدوث إصابة شخصية و/أو تلف في الممتلكات.

تحذيراً! مفاتيح الربط الصدمية ليست مفاتيح عزم. لا تستخدم هذا الجهاز لربط المشابك بعزم محدد. ينبغي استخدام جهاز قياس عزم مدرج مستقل مثل مفتاح عزم إذ قد يؤدي فرط ربط المشابك أو وضعها إلى فشل الوصلة.



سلامة الآخرين

- لم تُصمم هذه الأداة للاستخدام بواسطة الأشخاص (بما في ذلك الأطفال) الذين يعانون من نقص القدرات العقلية أو البدنية أو الشعورية أو نقص الخبرة والمعرفة اللازمة لتشغيل هذه الأداة، ما لم يكن ذلك تحت إشراف الشخص المسؤول عن سلامتهم.
- يجب الإشراف على الأطفال ومراقبتهم دائماً للتأكد من أنهم لا يعبثون بالجهاز أو الأداة.

المخاطر الأخرى

قد تنشأ مخاطر أخرى عند استخدام الأداة بخلاف تلك المخاطر المذكورة في هذه التحذيرات. قد تنشأ تلك المخاطر بسبب سوء الاستخدام أو الاستخدام لفترات طويلة وما إلى ذلك.

حتى ومع الالتزام بقواعد السلامة ذات الصلة واستخدام أدوات السلامة قد تنشأ بعض المخاطر التي لا يمكن تجنبها، بما في ذلك:

- الإصابات التي قد تقع بسبب لمس أي من الأجزاء المتحركة أو الدوارة.

احتفظ بالأدوات الكهربائية بعيداً عن متناول الأطفال، ولا تسمح لأي شخص ليس على دراية كافية بكيفية تشغيل تلك الأدوات أو بتعليمات السلامة المرفقة بها بتشغيل تلك الأدوات مهما كان السبب. تشغيل الأدوات الكهربائية من قبل مستخدمين غير مدربين أمر غاية في الخطورة.

احرص على صيانة الأدوات الكهربائية بصورة منتظمة. تحقق من وجود أي عوجاج أو انحناء في الأجزاء المتحركة أو أي كسر في أي من أجزاء الأداة أو أي ملاحظات أخرى من شأنها أن تؤثر على تشغيل الأداة الكهربائية. وفي حالة ملاحظة أي تلف بالأداة، يتعين معالجة ذلك التلف قبل استخدامها حيث أن أكثر الحوادث التي وقعت كانت من جراء عدم الاهتمام بصيانة الأدوات الكهربائية.

حافظ على حدة ونظافة أدوات القطع. كلما حافظت على حدة الأجزاء القاطعة كلما كانت أقل قابلية للانحناء وأسهل في التحكم.

استخدم الأداة الكهربائية وملحقاتها والقم المرفقة بها وما إلى ذلك وفقاً لهذه التعليمات مع الأخذ في الاعتبار ظروف العمل وطبيعة العمل المطلوب. مع العلم أن استخدام الأداة الكهربائية لتنفيذ عمليات أخرى بخلاف تلك التي صُممت من أجلها قد يؤدي إلى مخاطر كثيرة.

5 استخدام البطارية والعناية بها

تجنب استخدام أي شاحن آخر بخلاف الشاحن المحدد من قبل جهة التصنيع. فإن الشاحن المناسب لنوع معين من البطاريات قد يؤدي إلى مخاطر الحريق إذا ما تم استعماله مع نوع آخر.

يحظر تشغيل الأداة الكهربائية باستخدام أي بطارية أخرى بخلاف تلك المصممة خصيصاً من أجلها. فقد يؤدي استعمال أي بطارية أرحى إلى وقوع إصابات أو حرائق.

في حالة عدم استعمال البطارية، احرص على إعادها عن الأغراض المعدنية الأخرى مثل ماسكات الأوراق والعملات المعدنية والمفاتيح والمسامير والمفكات وغيرها من الأغراض المعدنية الصغيرة التي يمكن أن تنشأ توصيلاً من أحد طرفيها إلى الطرف الآخر. حيث أن تقصير الدائرة بين طرفي البطارية قد يؤدي إلى نشوب الحرائق أو الإصابة بالحروق.

قد يتسرب سائل البطارية خارج البطارية إذا أسيء استخدامها. وإذا حدث ذلك، تجنب ملامسة ذلك السائل. وعند ملامسته بدون قصد، يتعين عليك غسل الموضع الذي لامسه بالمياه على الفور. وفي حالة ملامسته للعين، ينبغي عليك غسلها على الفور وقصد الطبيب لإجراء الفحوصات اللازمة، فقد يؤدي السائل المتسرب خارج البطارية إلى الإصابة بالالتهابات أو الحروق.

6 الصيانة

أ تأكد من أهلية وكفاءة الشخص الذي يتولى صيانة الأداة واستخدام قطع غيار أصلية ومطابقة للقطع القديمة. يُعد ذلك أمراً أساسياً للحفاظ على سلامة الآلة وصيانتها بشكل سليم.

الاستخدام المقصود

للاستخدام خارج المنزل حتى تقلل من مخاطر التعرض للصدات الكهربائية.

و إذا اضطرت لتشغيل أداة كهربائية في مكان رطب، استخدم نظام وقاية يعتمد على التيار المتبقي (RCD) حيث أن ذلك يقلل من مخاطر التعرض للصدات الكهربائية.

تم تصميم هذا المفك الكهربائي من بلاك أند ديكر لاستعماله في مختلف تطبيقات الفك والتركيب، وهو مخصص لاستخدام المستهلك فقط.

تعليمات السلامة

3 السلامة الشخصية

تحذيرات عامة لضمان السلامة عند استخدام الأدوات الكهربائية



تحذير! اقرأ تحذيرات السلامة وغيرها من التعليمات بالكامل فقد يؤدي عدم الالتزام بأي من التحذيرات أو التعليمات التالية إلى الإصابة بصدمة كهربائية أو اندلاع الحريق و/أو غيرها من الإصابات الخطيرة.

أ كن متنبهاً دائماً لما تقوم به واتبع شعورك العام عند تشغيل الأدوات الكهربائية. تجنب استخدام أي من الأدوات الكهربائية وأنت مرهق أو متعب أو تحت تأثير المخدرات أو الكحول أو الأدوية الطبية. قد تتسبب لحظة واحدة تغيب فيها عن وعيك في التعرض لإصابات شخصية بالغة.

ب احتفظ بجميع التحذيرات والتعليمات للرجوع إليها في المستقبل. تشير كلمة "الأداة الكهربائية" في هذه التحذيرات إلى هذه الأداة التي قمت بشرائها سواء كانت مشغلة من المصدر الرئيسي للتيار الكهربائي (سلكية) أو مشغلة بواسطة بطارية (لا سلكية).

1 سلامة منطقة العمل

ج تجنب التشغيل غير المقصود. تأكد من أن مفتاح التشغيل في وضع الإيقاف قبل توصيل الأداة بمصدر الكهرباء و/أو البطارية أو رفع الأداة أو حملها. ضع أصبعك على مفتاح تشغيل الأداة الكهربائية إذا أردت أن تحملها منعاً لوقوع الحوادث.

أ حافظ على نظافة منطقة العمل فالأماكن غير المرتبة أو المظلمة تجلب الحوادث.

ب تجنب تشغيل الأداة في الأماكن القابلة للانفجار، مثل أن يحتوي المكان على سوائل أو غازات قابلة للاشتعال حيث أن الأدوات الكهربائية تصدر بعض الشرر التي قد تؤدي إلى اشتعال تلك الغازات.

ج إبقاء الأطفال والمارة بعيداً أثناء تشغيل الأداة الكهربائية حيث أن أي تشفت ذهني قد يؤدي إلى أن تفقد السيطرة على الأداة.

2 السلامة الكهربائية

أ لا بد أن يكون مقيس الأداة ملائماً للمنفذ الكهربائي الذي يوصل به. يحظر عليك إجراء أي تعديل بالمقيس بأي شكل كان. تجنب استخدام المقابس المهايئة مع الأدوات الكهربائية ذات التوصيل الأرضي. استخدام المقابس غير المعدلة والملائمة لمنفذ الكهرباء يقلل كثيراً من خطر التعرض للصدات الكهربائية.

ب تجنب لمس الأسطح الأرضية (ذات التوصيل الأرضي) مثل الأنابيب أو الشبكات والمبردات وخلافه. تتزايد مخاطر التعرض للصدات الكهربائية إذا كان جسمك موصلاً بأي طرف أرضي.

ج احرص على عدم تعرض الأداة الكهربائية للمياه أو للبلل. عندما تتسرب المياه إلى داخل الأداة الكهربائية تزيد من مخاطر التعرض لصدمة كهربائية.

د لا تُسَّس استخدام السلك الكهربائي، فلا تستخدمه أبداً للحمل أو السحب أو فصل الأداة الكهربائية. احتفظ بالسلك بعيداً عن الحرارة أو الزيت أو الحواف الحادة أو الأجزاء المتحركة. حيث تزيد الأسلاك التالفة أو المتشابكة من مخاطر التعرض للصدات الكهربائية.

هـ عند استخدام أداة كهربائية خارج المنزل، استعمل سلكاً ملائماً

Names & Addresses for Black & Decker Service Concessionaries

ALGERIA: SARL Outillage Corporation, After Sale Service Center-08, Rue Mohamed Boudiaf - Cheraga, Algiers, Algeria, Tel: +213 21 375131, Fax: +213-0-369667. **AZERBAIJAN:** Kontakt - NN LLC, M.Qashqay 43, Baku, Azerbaijan Az1000. Tel: +994 12 4082050, Fax: +994 12 4117090. **BAHRAIN:** Alfouz Services Co. WLL., P.O. Box 26562, Tubli, Manama, Tel: +973-17783562/ 17879987, Fax: +973-17783479. Kewalram & Sons Co. WLL P.O. Box 84, Manama, Kingdom of Bahrain, Tel: +973-17213110/ 17210617/ 17210619, Fax: +973-17213211/ 17210627. **BANGLADESH:** Ultra Corporation, 8, Kushol Centre, Uttara, Dhaka 1230. Tel: +880-2-8922144, Fax: +880-2-8951339. **EGYPT:** Anasia - Egypt for Trading S.A.E., 9, Mostafa Refaat St., Sheraton Heliopolis Bldgs., Cairo, Egypt, P.O.Box 2443 Heliopolis 11361, Tel. : (202) 268 4159, Fax.: (202) 268 4169, www.anasia.com. **ETHIOPIA:** Seif Sherif Trade PLC -Arada Sub City, Kebele 01-02, Global Insurance Bldg., 2nd Flr. Room 43, P.O.Box 2525, Addis Ababa, Ethiopia, Tel: 00-251-11-1563968/ 1563969, Fax: 00-251-11-1558009. **INDIA:** Gryphon Appliances Ltd., D-6/4, Okhla Industrial Area, Phase-I, New Delhi-110020, Tel: +91-11-46731111, Fax: +91-11-46731111. **JORDAN:** Bashiti Hardware, 93 King Abdullah 2nd St., Opp ELBA House, P.O. Box 3005, Tel: +962-6-5349098 ext.11, Fax: +962-6-5330731. **KENYA:** Leading Concepts, P.O. Box: 40877-00100, Nairobi, Kenya, Tel: +254 20 690 5000, Fax: +254 20 690 5111. **KUWAIT:** Al Omar Technical Co., P.O. Box 4062, Safat 13041, Kuwait, Tel: 00965-24848595/ 24840039, Fax: 00965-24845652. The Sultan Centre, P.O. Box 26567-13126 Safat, Kuwait, Tel: 00965-24343155 Etn. 432, Fax: 00965-24319071. **LEBANON:** Aces Service Centre, P.O. Box 90-102, Nahr El Mot, Seaside Highway, Pharaon Building, Beirut. Tel: 00961-1-898989, Fax: 00961-1-245880. **LIBYA:** Homeworld Co., Building No.5, Senidal St., Amr Ibn Elaas Road, Benghazi, Libya. Tel: 00218-61-9094183. Service Center1 - Benghazi: Tel: +218-061-3383994, Fax: +218-092-7640688, Service Center2 - Tripoli: Tel: +218-021-3606430, Fax: +218-092-6514813. **MALTA:** John G Cassar Ltd. 36-Victory Street, Qormi QRM 06, Malta. Tel: +356-21493251, Fax: +356-21483231. **MAURITIUS:** J.M. Goupille & Co. Ltd., Rogers Industrial Park 1, Riche Terre, Mauritius, Tel: +230 206 9450 / +230 207 1700, Fax: +230 206 9474/ +230 248 3188. **MOROCCO:** UATS 26 Rue Ennarjisse, Hay Erraihan, Beausejour - Hay Hassani-Casablanca, Morocco. Tel: +212 522945114, Fax: +212 522942442. **NEPAL:** Universal Electrocom, Tripureshwor, Kathmandu, Nepal. Tel:+977-1-4265191. **NIGERIA:** Dana Electronics Ltd. (Lagos) 116/ 120, Apapa Oshodi Express Way, Isolo, Lagos, Nigeria. Tel: +234-17431818/ +234-8037767774/ +234-8057445477. (Abuja) 18, A.E. Ekukinam Street, Off Obsfemi Awolowo Road, Utako, Abuja, Nigeria. Tel: +234-8032276101/ +234-8037767774. (Kano) 9A - Mai Malari Road, Bompai, Kano, Nigeria. Tel: +234-8053294947/ +234-8037767774. **OMAN:** Oman Marketing & Service Co. (Omasco), P.O. Box 2734, Behind Honda Showroom, Wattayah, Oman, Tel: +968-24560232/ 24560255, Fax: +968-24560993. Oman Marketing & Service Co. (Omasco), Al Ohi, Sohar, Oman, Tel: +968-26846379, Fax: +968-26846379. Oman Marketing & Service Co. (Omasco) - Sanaya, Salalah, Oman, Tel: 00968-23212290, Fax: +968-23210936. **PAKISTAN:** Ammar Service & Spares - 60-Bank Arcade, Serai Road, Karachi, Pakistan, Tel: 0092-21-32426905, Fax: 0092-21-32427214. **PHILIPPINES:** 476 J. P. Rizal St., cor Kakarong St. Brgy Olympia, Makati City, Tel: +632 403-5698. **QATAR:** Al Muftah Service Centre - Al Wakrah Road, P.O. Box 875, Doha, Qatar. Tel: 00974-4650880/ 4650110/ 4446868, Fax: 00974-4441415/ 4662599. **SAUDI ARABIA:** (Al Khobar) Al-Suwaiket Catering & Trading Co., P.O.Box 4228, King A.Aziz Street, Al Khobar, Tel: +966-3-8591088, Fax: +966-3-8595648. Fawaz Ebrahim Al Zayani Trading Est. P.O. Box 76026, Al Khobar #31952, Tel: +966-3-8140914, Fax: +966-3-8140824. (Jeddah) Banaja Trading Co. Ltd, P.O. Box 366, Jeddah-21411, Tel: +966-2-6511111, Fax: +966-2-6503668. (Riyadh) Banaja Trading Co. Ltd, P.O. Box 566, Riyadh-11421, Tel: 00966-1-4124444, Fax: +966-1-4033378. **SOUTH AFRICA:** Trevco Power Tool Service 14 Steenbok Street, Koedoespoort, 0186, Pretoria, South Africa, Tel: +27-86-1873826, Fax: +27-86-5001771. **SRI LANKA:** Delmege Construction Products (Pvt) Ltd., No 101 Vinayalankara Mawatha, Colombo-10, Sri Lanka, Tel: +94-11-2693361-7, Service hotline: +94-77-2211111. **TUNISIA:** Société Tunisienne De Manutention - Rue de la Physique, Nouvelle Zone Industrielle de Ben Arous-2013 Tunisie, Tel: +216-71-386102/ 380620, Fax: +216-71380412 ext 216. **UGANDA:** Anisuma Investment and Services Ltd., J R complex, Ware House No.5, Plot No 101, 3rd Street Industrial Area, Jinja Road, Kampala, Tel: +256-414237106. **UAE:** (Abu Dhabi) Light House Electrical, P.O. Box 120, Abu Dhabi, Tel: +971-2-6726131, Fax: +971-2-6720667. (Al Ain) Zillion Equipment and Spare Parts Trading LLC, P.O. Box 19740, Opp. Bin Sadal/Trimix Redymix Sanaiya, Al Ain. Tel: +971-3-7216690, Fax:+971-3-7216103 (Dubai) Black & Decker (Overseas) GmbH, P.O. Box 5420, Dubai, Tel: +971-4-8127400/ 8127406, Fax: +971-4-2822765. (Musaffah) Light House Electrical, P.O. Box 120, Abu Dhabi, Tel: +971-2-5548315, Fax: +971-2-5540461. (Sharjah) Mc Coy Middle East LLC, P.O. Box 25793, Sharjah, Tel: +971-6-5395931, Fax: +971-6-5395932. (Ras Al Khaimah) Mc Coy Middle East LLC, P.O.Box 10584, Ras Al Khaimah, Tel: +971-7-2277095, Fax: +971-7-2277096. **YEMEN:** (Aden) Muala St., Tel: +967 2 222670, Fax: +967 2 222670. (Sana'a) Middle East Trad. Co. Ltd., P.O. Box 12363, Hayel Street, Sana'a. Tel: +967-1-204201, Fax: +967-1-204204. (Taiz) Middle East Trading Co. (METCO), 5th Flr. Hayel Saeed Anam Bldg, Al-Mugamma St. Taiz, Yemen, Tel: +967-4-213455, Fax: +967-4-219869.

Имена и адреса дистрибьютеров Black & Decker

Альметьевск, ООО "Смарт", 423451, ул. Тухватуллина, д.112, база Смарт, Телефон: (8553) 30-01-01, Факс: (8553) 30-00-01. **Ангарск**, ООО "ВСРТА Кемеровские заводы" 665800, ул. Рабочего Штаба, д. 87, Телефон: (3955) 77-91-02, 96-96-59, Факс: (3955) 77-91-02. **Архангельск**, ООО "Архлес-сервис", 163071, ул. Тимме, д. 23, Телефон: (8182) 27-00-49, 29-35-86, Факс: (8182) 27-00-49. **Астрахань**, ООО "Компания Инструментал", 414057, ул. Рождественского, д. 1 Ж, Телефон: (8512) 35-14-46, 35-14-46, Факс: (8512) 50-21-21. **Астрахань**, ООО "Мастер-Класс", 414014, ул. Ярославская, д. 34 А, Телефон: (960) 856-05-11. **Ачинск**, ООО "Экстрим-Центр", 662150, ул. Дзержинского, д. 36, Телефон: (39151) 6-23-22. **Барнаул**, ИП Бескишкин В. П., 656010, ул. пр-т Ленина, д. 73, Телефон: (3852) 61-77-12, Факс: (3852) 61-77-12. **Барнаул**, ИП Никитин М. Д., 656067, ул. Балтийская, д. 66 А, Телефон: (3852) 45-58-47, 8 (964) 603-72-52, Факс: (3852) 45-39-85. **Белгород**, ООО "ЦентрИнструментСервис-Белгород", 308002, ул. Богдана Хмельницкого пр-т, д. 133 В, Телефон: (4722) 31-82-48, 34-61-29, Факс: (4722) 31-82-48. **Белгород**, ИП Шабанов С. И., 308024, ул. Костюкова, д. 1, Телефон: (4722) 55-86-08, Факс: (4722) 55-26-43. **Благовещенск**, ООО "Амурская электротехника", 675014, ул. Кольцевая, д. 43, Телефон: (4162) 42-30-70. **Бор**, ООО "Молоток", 606440, ул. Первомайская, д. 7 А, Телефон: (83159) 9-35-58, Факс: (83159) 9-35-58. **Брянск**, ИП Тимошкин С. Н., 241035, ул. Бурова, д. 14, Телефон: (4832) 68-71-75, Факс: (4832) 68-71-75. **Брянск**, ИП Тимошкин С. Н., 241037, ул. Красноармейская, д. 103, Телефон: (4832) 41-71-44, Факс: (4832) 41-71-44. **Великие Луки**, ИП Леничев Ю. Г., 182100, ул. Мурманская, д. 16, Телефон: (81153) 3-71-20, Факс: (81153) 5-14-60. **Владивосток**, ИП Барса В. А., 690105, ул. Бородинская, д. 46/50, каб. 305, Телефон: (862) 24-15-73, 51-32-23 (423) 234-57-12, Факс: (423) 234-57-12. **Владикавказ**, ИП Метревели Г. В., 362003, ул. Калоева, д.400, Телефон: (8672) 24-15-73, 51-32-23 (423) 234-57-12, Факс: (8672) 51-32-23. **Владимир**, ИП Верстин В. П. 600022, ул. пр-кт Ленина, д. 44, Телефон: (4922) 38-27-90, Факс:(4922) 38-67-55. **Владимир**, ООО "ИМКом-Сервис", 600035, ул. Куйбышева, д. 4, Телефон:(4922) 37-06-05. **Волгоград**, ООО "НГФ СЛАВЯНЕ", 400074, ул. Козловская, д. 20, Телефон: (8442) 94-52-49, Факс: (8442) 94-52-49. **Волгоград**, ООО "Инструмент-Сервис", 400055, ул. Фадеева, д. 29, Телефон:(8442) 55-00-11, Факс:(8442) 55-00-11. **Волгоград**, ООО "Инструмент-Сервис" 400050 ул., Рокоссовского, д. 52, Телефон: (8442) 55-00-11, Факс: (8442) 55-00-11. **Волжский**, ООО "Инструмент-Сервис" 404106, ул. Большевикская, д.70Б, Телефон: (8443) 55-00-99, Факс:(8443) 55-00-99. **Вологда**, ИП Журавлёв Д. А.160022, ул. Можайского, д. 44. Телефон: (8172) 74-30-63, Факс: (8172) 74-30-63. **Воронеж**, ООО "Энкор-Сервис", 390426, ул.Текстильщиков, д. 2 корп. 3, Телефон: (473) 261-96-35, 261-96-46, Факс: (473) 261-96-35 доб.458. **Воткинск**, ИП Татаринов К. В. 427430 ул. Садовникова, д. 17, Телефон: (950) 171-60-05, 8(963)546-22-34. **Екатеринбург**, ИП Салахов Д. Д. 620026, ул. Розы Люксембург, д. 67 А, Телефон: (343) 251-94-94. **Екатеринбург**, ООО "ИНИГС-Сервис", 620026, ул. Шефская, д. 3, корп. Г, Телефон: (343) 219-28-47, Факс: (343) 264-04-40. **Иваново**, ИП Грушина М. Е., 153000, ул. Красногвардейская д. 33, Телефон: (4932) 30-67-00. **Ижевск**, ИП Струков А. А., 426006 , ул. Телегина, д. 30, Телефон: "(3412) 93-24-19", Факс: (3412) 93-24-19, 93-24-20. **Ижевск**, ООО "РЭМО", 426011, ул. Майская, д. 28, Телефон: (3412) 73-95-85, Факс: (3412) 72-72-76. **Иркутск**, ИП Паздникова Л. И. 664075, ул.Байкальская, д. 239, корп.7, Телефон: (3952) 22-60-29, 22-87-24, Факс: (3952) 22-60-29, доб.136. **Иркутск**, ООО "ВСРТА Кемеровские заводы", 664035, ул. Рабочего штаба, д. 87, Телефон:(3952) 77-91-02,96-96-59, Факс: (3952) 77-91-02, 77-93-87. **Йошкар-Ола**, ООО "Дровосек", 424037, ул. Машиностроителей, д. 2 Б, Телефон: (8362) 41-97-70, Факс: (8362) 41-97-70. **Казань**, ИП Федосеев Е. И.,420029, ул. Сибирский Тракт, д. 34 корп. 12, Телефон: (843) 211-99-01 (02.03.04), Факс:(843) 211-99-01 (02.03.04). **Казань**, ООО "Вавилон-С", 420136, ул. Маршала Чуйкова, д. 25, Телефон: (843) 525-44-15, Факс: (843) 525-44-15. **Казань**, ООО "Дровосек", 420129, ул. Габдуллы Тукая, д. 125 , корп.3, Телефон: (843) 205-33-32, 205-33-34. **Казань**, ООО "Профтулз", 422625, с. Песчаные Ковали, ул. Октябрьская, д.28,Телефон:(843) 225-80-20. **Казань**, ООО "Профтулз", 422622 с. Сокуры, ул. Державина, д. 9 А,Телефон: (843) 225-20-80, **Калининград**, ИП Скрицкий О. И., 236001, ул. Московский пр., д. 253, Телефон: (4012) 59-06-06, 59-06-13, Факс: (4012) 59-06-13. **Калуга**, ИП Смогилева А. Б., 248000, ул. Карла Либкнехта, д. 31, Телефон: (4842) 22-03-65, (920) 617-81-91. **Кемерово**, ООО "Сервисный центр "Электра",650044, ул. Абызова, д. 12 А, Телефон: (3842) 64-01-03, 64-28-00, 64-04-55, Факс: (3842) 64-00-07, **Киров**, ИП Кассихин В. Н., 610020, ул. Труда, д. 71, Телефон: (8332) 64-66-56, Факс: (8332) 64-66-56. **Киров**, ООО "Дровосек", 610004, ул. Ленина, д. 54,Телефон: (8332) 35-80-24, 35-80-25, Факс: (8332) 35-80-24, 35-80-25, **Киров**, ООО "Неолит", 610035, ул. Пугачева, д. 1, Телефон: (8332) 56-35-63, Факс: (8332) 56-35-63. **Ковров**, ООО "ИМКом-Сервис" 601916, ул. Летняя, д. 24 А, Телефон: (49232) 4-58-66, Факс: (49232) 4-58-66. **Кострома**, ООО "КрафтТулз",156026, ул. Северной правды, д. 41 А, Телефон: (4942) 32-59-91, (910) 376-00-10, Факс: (4942) 32-59-91. **Краснодар**, ООО " СТО" Авто-Кубань", 350059, ул. Новороссийская, д. 174 А,Телефон: (989) 800-86-32, (918) 977-76-22. **Красноярск**, ООО "Инструмент-Сервис", 660121, ул. Парашютная, д. 15,Телефон:(3912) 61-98-99, 61-98-95, Факс: (3912) 61-98-99, 61-98-95. **Красноярск**, ООО "Сервисный Центр", 660022, ул. Аэровокзальная, д. 21 стр. 2 , Телефон: (3912) 41-86-40, Факс: (3912) 41-86-40, **Курск**, ИП Долголев Р. В. 305001, ул. Кожевенная, д.31. А, Телефон: (4712) 38-90-65, Факс: (4712) 38-90-65. **Липецк**, ООО "Арсенал", 398001, ул. 8 Марта, д. 13,Телефон:(4742) 74-06-96, 35-32-15, Факс: (4742) 74-66-76, 22-74-78. **Липецк**, ЗАО "ДПрофи", 398035, ул. Космонавтов, д. 43,Телефон: (4742) 31-92-69, 790, Факс: (4742) 31-92-69, 79. **Магнитогорск**, ИП Трухин А. С. 455045, ул. Свободы, д. 7, (3519) 49-26-77, Миасс, ИП Макаров В. В., 456317, ул. Академика Павлова, д. 8 Б, Телефон: (904) 305-83-79. **Москва**, ООО "Фирма Технопарк", 121471, ул. Гардейская, д. 3, к.1,Телефон:(495) 737-81-59, 444-10-70, Факс: (495) 737-81-59. **Мурманск**, ИП Гиренко С. Г., 183038, ул. Ленина пр-т, д. 45, Телефон: (8152) 47-47-25, (8152) 47-47-25, **Муром**, ООО "ИМКом-Сервис", 602266, ул. Владимирское шоссе, д. 12, Телефон: (49234) 2-63-41,Факс: (49234) 2-63-41, **Набережные Челны**, ООО "КамаСнабТорг", 423803, ул. Сармановский тракт, д. 60, Телефон: (8552) 33-23-12, 44-49-99, **Набережные Челны**, ИП Давлеева И. М., 423800, ул. 40 лет Победы , ГСК "Визиди"бокс №19, Телефон: (962)566-95-23, Факс: (8552) 40-04-48, **Нальчик**, ООО "Техно-Сити", 360004, ул. Кирова, д.137,Телефон:(8662) 40-29-83, Факс: (8662) 40-78-78 , **Нижний Новгород**, ИП Федосеев Е. И., 603124, ул. Московское ш., д. 300,Телефон: (831) 274-89-66, 274-89-67, Факс: 274-89-66, доб.117. **Нижний Новгород**, ООО "Пигмент", 603089, ул. Полтавская, д. 32,Телефон: (831) 416-78-70, 416-78-80, Факс: (831) 416-78-70. **Нижний Новгород**, ООО "Дровосек", 603086, ул. Бульвар Мира, д. 7,Телефон: (831) 281-81-91, Факс: (831) 281-81-91, **Новокузнецк**, ООО "Механик", 654005, ул. Пирогова, д. 301,Телефон: (3843) 73-83-17,Факс: (3843) 73-83-17, **Новороссийск**, ООО "Телец", 353920, ул. Героев Десантников, д. 61,Телефон: (8617) 63-50-10, Факс:(8617) 63-50-10. **Новосибирск**, ООО "СТП Регламент", 630091, ул. Советская, д. 52,Телефон: (3832) 20-00-30, Факс: (3832) 20-00-30. **Обнинск**, ИП Вишняков О. В. 249034, ул. Кабининская Гос Заря №244,Телефон: (48439) 9-07-46, Факс:(48439) 9-07-46. **Сочи**, ЗАО "Исток", 353430, ул. Старонасыпная, д. 30/2,Телефон:(8622) 40-20-64, 8-800-100-44-33. **Омск**, ООО "Профинструмент сервис", 644001, ул. Шебаддина, д. 199, к. 1, Телефон: (3812) 36-65-09,Факс: (3812) 36-65-09. **Орел**, ИП Долженков А. В. 302030, ул. Старо-Московская, д. 7,Телефон: (4862) 54-36-07, Факс:(4862) 54-36-07.

Имена и адреса дистрибьютеров Black & Decker

Оренбург, ООО "Уральский мастер", 460050, ул.Томиллинская, д. 238/1,Телефон: (3532) 53-26-11, 27-87-97, Факс: (3532) 53-26-11,
Орск, ИП Балан Ю. Л. 462421, ул. Новосибирская, д. 90 ,Телефон: (3537) 42-10-99, **Орск**, ООО "Проминоком", 462421, ул. Новосибирская, д. 211,Телефон: (3537) 28-15-29, **Пенза**, ООО "Анкор", 440600 ул. Гладкова, д. 10, Телефон: (8412) 55-32-27 ,
Пермь, ООО "КУБ", 614064, ул. Героев Хасана, д. 41,Телефон: (342) 240-25-39, 240-25-38,Факс: (342) 240-25-38, **Петрозаводск**,
ООО "Батя - Сервис", 185031, ул. Заводская, д. 4,Телефон: (8142) 74-72-42, 77-15-77, **Псков**, ООО "Сервисный центр "Мастер",
180006, ул. Первомайская, д. 33,Телефон: (8112) 72-45-55, 72-30-56,Факс: (8112) 72-45-55, 72-30-56, **Сочи**, ИП Никишина Т. Л.,
354000, ул. 20-й Горнострелковой дивизии д. 16,Телефон: (8622) 241-25-92, **Симферополь**, ООО "Инструмент Крым", 295001, ул.
Крылова, д. 21, (0652) 60-09-36, (978)735-43-12, **Севастополь**, ИП Малинка А. Н., 299033, ул. Льва Толстого, д. 7, (978)
018-27-90,**Пятигорск**, ООО "Электра", 357500, ул. Суворовский проезд, д. 1 А, Телефон:(8793) 38-27-57 Факс: (8793) 38-27-57.
Ростов-на-Дону, ИП Холод В. Н., 344004, ул. Нансена, д. 140,Телефон: (863) 279-03-05, 8(938)160-52-52. **Ростов-на-Дону**, ООО
"Электроинструмент-Сервис", 344079, ул. Нансена, д. 77 (863) 295-74-65, **Рязань**, ООО "С-ФК",390000, ул. Садовая, д. 33,Телефон:
(4912) 28-20-16, 92-34-72,Факс: (4912) 28-20-16, **Рязань**, ИП Ильина Н. С., 390037, ул. Зубковой, д.8 А, Телефон: (4912)
32-07-81,Факс: (4912) 32-07-81, **Самара** ООО "ЭлектроМаркт", 443052, ул. Земеца, д. 25,Телефон: (846) 955-24-14, Факс: (846)
955-24-14, **Самара**, ООО "Специалист", 443080, ул. 4-й проезд, д. 66,Телефон: (846) 342-52-61, Факс: (846) 342-52-61,
Санкт-Петербург, ООО "Инфраком - Сервис", 190103, ул. наб. Обводного канала, д. 187, литер Д, Телефон: (812) 777-0-111,
251-83-39,Факс: (812) 251-83-74, 575-48-13, Санкт-Петербург, ООО "Электра", 190013, ул. Рузовская, д. 5/13, литер А, пом. 6-Н.
Телефон: (812) 647-35-68,Факс: (812) 647-35-68, **Саратов**, ИП Петриченко В. В., 410005, ул. Соколова, д. 376,Телефон: (8452)
27-26-55, 69-26-15, 69-30-16,Факс: (8452) 69-30-37, **Саратов**, ООО "Дровосек", 410004, ул. Чернышевского, д. 88,Телефон: (8452)
20-03-81,20-03-87, Факс:(8452) 20-03-81,20-03-87, **Серпухов**, ИП Бекренев Г. А. 142200, деревня Борисово, Данковское шоссе, д.
3А,Телефон: (4967) 76-12-80, (926) 617-10-19, **Смоленск**, ИП Шульман А. И. 214004, ул. 2-й Красинский переулок, д. 14,Телефон:
(4812) 32-15-42,Факс: (4812) 32-15-42, **Сокол**, ООО "Домострой", 162130 ул. Набережная Свободы, д. 52,Телефон: (81733) 2-29-79,
2-26-72,Факс: (81733) 2-29-79, 2-26-72, **Сочи**, ИП Семенченко Т. В. 354000, ул. Транспортная, д./78,Телефон: 8-965-481-13-05,
Сочи, ИП Никишина Т. Л., 352002, ул. 20-й Горнострелковой, дивизии д.16,Телефон: (8622) 25-52-13, **Ставрополь**, ИП Матвеев А.
Б., 355002, ул. 50 лет ВЛКСМ, д. 89,Телефон: (8652) 55-41-35,Факс: (8652) 55-46-13. **Стерлитамак**, ИП Исаев А. В., 453118, ул.
Худайбердина, д. 202 А,Телефон: (3473) 41-41-19. **Тамбов**, ИП Поликашин Ю. В., 392000, ул. Монтажников, д. 8 А,Телефон: (4752)
50-47-67. **Тольятти**, ООО "Инструмент сервис" 445000,ул.Офицерская, д. 24,Телефон: (8482) 51-58-13, 51-54-48, Факс:(8482)
51-54-48. **Томск**, ИП Брусиныч Н. К. 634061 ул. Герцена, д. 72,Телефон: (3822) 52-25-02, 97-95-73, Факс: (3822) 52-34-73. **Томск**, ИП
Обухов М. Г.,634063,ул. Мичурина, д. 47, стр. 1,Телефон: (3822) 67-95-74, Факс: (3822) 67-95-74. **Тюмень**, ООО "Спецтехника",
625026, ул. Республики, д. 143, ост. Газпром, Телефон: (3452) 31-03-11, 20-55-97, Факс: (3452) 20-55-97. **Туапсе**, ИП Гвилава В. Б.,
352800, ул. Армавирская, д. 8 Б, Телефон: (918) 600-32-42, Факс: (86167) 2-54-47, **Тула**, ИП Машинков Ю. Н., 300041, ул.
Коминтерна, д. 24,Телефон: (4872) 55-87-21, **Узловая**, ООО "Инструмент-сервис", 301600, ул. Треугова, д. 31 А,Телефон: (48731)
6-29-64, Факс: (48731) 6-29-64. **Улан-Удэ**, ИП Коркина О. Ю., 670031, ул. Сахьяновская, д. 9 В, Телефон: (3012) 43-70-54, 43-58-61,
Факс: (3012) 43-58-61. **Ульяновск**, ООО "ДПС", 432071, ул. пр-т Нариманова, д. 1, Телефон: (8422) 37-01-46, Факс: (8422) 37-01-46,
Ульяновск, ООО "Дровосек", 432017, ул. Минаева, д. 12, Телефон: (8422) 32-21-28, Факс: (8422) 32-21-28. **Уфа**, ИП Мингалев А. В.,
450078, ул. Кирова, д. 101,Телефон: (347) 246-31-86, Факс: (347) 246-31-86, **Ухта**, ООО "ТМ Мушкого Инструмент", 169300, ул.
Интернациональная, д.40,Телефон: (8216) 72-09-00, **Хабаровск**, ООО "БизнесСтройИнструмент", 680014, ул. Переулк Гражарный,
д. 4, Телефон: (4212) 40-07-78, Факс: (4212) 40-07-77, **Чебоксары**, ИП Васильев А. Ю., 428000, ул. Базовый проезд, д. 8 Б,Телефон:
(8352) 57-39-62, **Челябинск**, ИП Альперхова Д.П., 454138, ул. Молодогвардейцев, д. 7, корп.3,Телефон: (351) 267-50-01, 267-50-04,
Факс: (351) 267-50-01, 267-50-04. **Череповец**, ИП Исупов А. А., 162614 ул. Вологодская, д. 50 А, Телефон: (8202) 202-102, доб.3.
Ярославль, ООО "ЦентрРегионСервис", 150014, ул. Рыбинская, д. 30/30, Телефон: (4852) 20-05-28, 20-05-29, Факс: (4852) 20-05-29,
Ярославль, ООО "ЯрБошСервис", 150040, ул. пр-т Ленина, д. 37/73, пом. 69, 70, 71 Телефон: (4852) 73-34-91. **Примьный Пункт**,
Саранск, ООО "ФиТеС", 430030, ул., Титова, д. 4, Телефон: (8342) 23-32-23, Факс: (8342) 23-32-23. **Тверь**, ООО "Левша", ул. наб.
Никитина, д. 142, Телефон: (4822) 52-27-87. **Камышин**, ООО "Инструмент-Сервис" 403873, ул. Пролетарская, д. 115 Б, Телефон:
(84457) 5-27-27 Факс: (84457) 5-27-27. **Новоосовецк**, ООО "Инструмент-Сервис" 301660, ул. Мира, д.17 А, Телефон: (48762)
7-90-37, **Украина**, Донецк, ДП "ЭСКО-Днепр", 83018, ул. Ершова, д. 10, 38(062), Телефон: 349-24-20, Факс: 349-24-30 ,
Днепропетровск, ООО "ЭСКО-Днепр", 49038, ул. Возкальная, д. 6, Телефон: 38(056) 770-60-28, Факс: 38(062) 349-24-10.
Запорожье, ООО "Альцест - Запорожье", 69057, ул. 40 лет Советской Украины, д. 86Б, Телефон: 38(061) 220-28-13, Факс: 38(0562)
311-971 **Ивано-Франковск**, АОЗТ "Альцест-Карпаты", 76000, ул. Мельничука, д. 8, Телефон: 38(0342) 50-24-04, Факс: 38(061)
701-71-52, 53 , **Киев**, ООО ПКП "ЭСКО", 04073, ул. Сырецкая, д. 33Ш, Телефон: 38(044) 581-11-25, Факс: 38(0342) 50-24-04. **Львов**,
ООО "Дом инструментов ", 79020, ул. Замарастыновская, д. 76, Телефон: 38(0322) 24-72-13, 24-72-51, Факс: 38(044) 581-11-25.
Одесса, ДП "ЭСКО-Одесса", 65033, ул. Строганова, д. 29А, 38(0482) 37-61-76, 38(0322) 24-72-13, **Харьков**, ФЛП Коротченко Е.В.,
61001, ул. Юлия Чигирина, д. 13, Телефон: 38(057) 731-97-22,24,26, Факс: 38(0652) 600-936. **Луцк**, ФОП "Крукочев В. С.", 43024, пр.
Соборности, д. 11 а, Телефон: 38(0332) 29-97-90, Факс: 38(057) 731-97-22, 24, 26, **КривойРог**, ЧП"Коновал А. В.", 50000, пр. Мира,
д. 16, Телефон: 38(056) 404-03-45, Факс: 38(0332) 29-97-90, **Херсон**, ФОП Пархоменко Игорь Алексеевич, 73000, ул. Дровника, д. 12,
Телефон: 38(0552) 39-06-90 Факс: 38(0552) 39-06-90. **Армения**, Ереван, ПК "АРЕГ", 0070, ул. Вардананца, д. 28, Телефон: (37410)
57-02-31, Факс: (37410) 57-02-38. **Беларусь**, Минск, УП "18", 220049, ул. Волгоградская, д. 13, к. 8, Телефон: (017) 280-77-81,
280-76-93, Факс: (37517) 207-22-78, 251-43-07. **Казахстан**, Алматы, ТОО "Ламэд", 050060, ул. Березовского, д. 3А, Телефон: (727)
244-64-46, Факс: (727) 244-64-46, **Актобе**, Филиал ТОО "Ламэд", 030000, ул., Санжибай Батыра, д. 4 Л, Телефон: (7132) 53-86-80,
Факс: (7132) 51-05-54. **Астана** Филиал ТОО "Ламэд", 010000, ул. Пушкина, д. 37/1,Телефон: (7172) 47-81-37, Факс: (7172) 54-16-47.
Усть-Каменогорск, ТОО "Алтай-Метиз", 070003 , ул. Космическая, д. 4/19, Телефон: (7232) 53-45-44, Факс: (7232) 76-54-93.
Кустанай, ИП Шипилкин В. Г., 110000, ул. Складская, бутик № 35,Телефон: (7142) 39-25-24, Факс: (7142) 56-62-67. **Павлодар**, ТОО
"ЛСА - Сервис", 140000, ул. Академика Бектурова, д. 58, Телефон:(7182) 32-08-68. **Грузия**, Тбилиси, ООО "Кавкасия 99", 0141, ул.
Ксанская №22, Телефон: (832) 260 94 49. **Тбилиси**, ООО "Евротехнологии", 177, ул.пр-т Казбеги, 26, Телефон: (832) 238 52 38.
Азербайджан, Баку, ООО "Сантрал Электрик", AZ1029, ул. пр-т Зии Буньятова 2071-квартал, Телефон: (994) 12 514-40-46.

Yetkili Servisler Şehir Yetkili Servis Adres Telefon

Adana, Emin Elektrik Bobinaj, Karasu Mah. Kızılay Cad. 28006 Sok. No: 9/D Seyhan, Telefon: 0322 351 80 46. **Adana**, Demir Elektrik, Karasoku Mah. Ulucami Cad. No10/A Seyhan, Telefon: 0322 352 97 95. **Afyonkarahisar**, Katar Bobinaj Güvenevler Mah. 1. San. Sit. 622 Sok. 6. Blok No: 12/A, Telefon: 0272 214 48 64. **Ağrı**, Tamgüç Bobinaj, Yavuz Mah. Kağızman Cad. Bülbül Sok. No: 51, Telefon: 0472 215 70 41. **Amasya**, Akotek Ticaret ,Yeni Yol Cad. No: 85,Telefon: 0358 218 71 19. **Ankara**, Başak Elektrik, Başkent Orta San. Sit. 664. Sok. No: 28 Ostim, Telefon: 0312 386 20 84. **Ankara**, Tezcan Elektrik Bobinaj , 1230/1 Sok. No:38 Ostim, Telefon: 0312 354 80 21. **Antalya**, Uslu Bobinaj, G. Pınarı Mah. Oba Yolu Üzeri No: 27/C Alanya , Telefon: 0242 511 57 01. **Antalya**, Yaşar Bobinaj , Aşağı Pazarcı Mah.1068 Sok. No: 19 Manavgat, Telefon: 0242 742 44 07. **Antalya**, Gözde Bobinaj, Akdeniz San. Sit. 5010 Sok. No: 25 Kepez,Telefon: 0242 221 40 30. **Aydın**, Özen Bobinaj, Ata Mah. Tepecik Bulvarı No:39, Telefon: 0256 227 07 07. **Aydın**, Enerji Bobinaj,Yeni Mahalle Atatürk Bulvarı No: 204/B Didim,Telefon: 0256 811 43 70. **Balıkesir**, Küre Bobinaj, Atatürk Cad. No: 109 Bandırma, Telefon: 0266 718 46 79. **Balıkesir**, Tezger Bobinaj, Yeni San. Sit. Cumhuriyet Cad. No:198, Telefon:0266 246 23 01. **Batman**,Topiz Bobinaj , Cumhuriyet Mah. 1512 Sok. No: 35/A ,Telefon:0488 214 87 70. **Bolu**, Moral Elektrik Bobinaj,Karamanlı Mah. Konuralp Cad. Bilgi Apt. No: 24. Telefon: 0374 210 02 32. **Bursa**, Çağ Teknik Bobinaj, Yeni San. Orhançay Cad. No:23 İnegöl, Telefon:0224 715 57 37. **Bursa**,Vokart Ltd. Şti.,Gazlıcazlar Cad. Enrik Bahçe Sok. No: 7/B Osmangazi,Telefon:0224 254 48 75. **Bursa**, Cantürkler Bobinaj,Üçevler Mah. Küçük San. Sit. 48. Sok. No:77 Nilüfer,Telefon:0224 441 48 49. **Çanakkale**,Ovalı Bobinaj,Hamdi Bey Mah. İstiklal Cad. No: 160 Biga,Telefon:0286 316 49 66. **Çanakkale**, Başar Bobinaj,Namık Kemal Mah. Site 3 Sok. No:1/A, Telefon:0286 212 3818, **Çorum**, Emek Bobinaj ,Küçük San. Sit. 23. Cad. No: 5/C, Telefon:0364 234 68 84, **Denizli**, Örsler Bobinaj, Ahisinan Cad. 171 Sok. Sedef Çarşısı No: 9/10,Telefon:0258 261 42 74. **Diyarbakır**,Çetsan Elektrik,San. Sit. Karakol Sok. No: 1,Telefon:0412 237 29 04. **Düzce**,Beğ Yıldız Servislik Hiz.,Kültür Mah. Eski San. Çarşısı 792. Sok No:27,Telefon:0380 523 51, 59. **Düzce**,Berke Makine,Kültür Mah. 793 Sok. No:10,Telefon:0380 524 83 83. **Edirne**,Eray Bobinaj,Eski San. Sit. 12. Blok No: 9 Telefon: 0284 225 26 92. **Edirne**,Aras El Aletleri,Y.Zaferiye Mah. Bilun Sok. No:5/97 Keşan,Telefon:0284 714 20 17, **Elazığ**, Kalender Elektrik Bobinaj,San. Sit. 11. Sok. No: 46,Telefon: 0424 224 85 01. **Erzincan**, Ümit Elektrik Makina, Karaağaç Mah. Sümerbank Cad. No:18/3,Telefon:0446 223 09 59. **Erzurum**, Teknik Makina Bobinaj, Demirciler San. Sit. 1 Blok D: 46 Yakutiye, Telefon:0442 243 17 34, **Erzurum**, Ümit Teknik, Bakırçı Mah. Bakırçı Sok. No: 1,Telefon:0442 235 05 72. **Eskişehir**, Vizyon Teknik,Şeker Mah. Kırım Cad. No: 165 Tepebaşı, Telefon:0222 323 59 91.**Gaziantep**,Eser Bobinaj,Küçük San. Sit. A Blok 11. Cad. 25. Ada No: 55 Ş. Kamil,Telefon:0342 235 30 64. **Gaziantep**,Umur Servislik Hiz.,Beydilli Mah. 49 Nolu Cad. No:17 Şahinbey,Telefon:0342 271 71 26. **Hatay**,Öz Kardeş Bobinaj,Yeni San. Sit. 38/A Blok No: 53, Telefon:0326 221 22 91. **İsparta**,İzmir Bobinaj,Yeni San. Sit. 5 Blok No: 28, Telefon:0246 223 70 11. **İstanbul**, HEAD SERVICE, Edirnekapı Defterdar Mahallesi Savaklar Caddesi No:15 Eyüp, Telefon:0 212 533 98 34. **İstanbul**, Altek Mekatronik, İçmeler Mah. Ankara Cad. Erdoğan Sok. No: 5/C Tuzla, Telefon: 0216 494 03 43. **İstanbul**,Birlik Elektromekanik, Perpa Tic. Mer. B Blok Mavi Avlu Kat. 4 No: 318 Okmeydanı, Telefon:0212 222 94 18. **İstanbul**, Fırat Dış Ticaret, Tersane Cad. Zincirli Han Sok. No:3/A Karaköy, Telefon:0212 252 93 43. **İSTANBUL**, Kardeşler Bobinaj, Çağlayan Mah. Sinanpaşa Cad.No: 5 Çağlayan İSTANBUL, Telefon:0212 224 97 54. **İstanbul**, Orijinal Elektrik ,Bağlar Mah. Mimar Sinan Cad. No: 24 Güneşli, Telefon: 0212 515 67 71. **İstanbul**,Zirve Teknik,Turgut Reis Mah. Fatih Bulvarı No: 394/C Sultanbeyli,Telefon: 0216 419 24 33. **İstanbul**, Ak Makina, Nato Yolu Cad. Tamer Sok. No: 1 Yukarı Dudullu Ümraniye,Telefon:0216 540 53 54. **İstanbul**, ARD Makine, İktisadi Org. San. Böl. Saraçlar San. Sit. 9. Blok No: 25 Başaşehir, Telefon:0212 548 24 00. **İstanbul**, TRK Makina, Bağdat Cad. Adalı Sok. No: 8 Maltepe, Telefon:0216 370 21 11. **İzmir**, Birlik Bobinaj ,2824 Sok. No: 18 1. San. Sit. Halkapınar, Telefon:0232 458 39 42. **İzmir**, Çetin Bobinaj, Cüneyt Bey Mah. İbrahim Turan Cad. No 98/A Menderes, Telefon: 0232 782 73 00. **İzmir**,Ulusal Teknik Servis,1203 SK. No: 18/C Baltalı İş Merkezi Yenisehir, Telefon:0232 469 35 33. **Kahramanmaraş**, Bayram Bobinaj, Menderes Mah. Girne Cad. No: 82, Telefon:0344 281 08 26. **Karabük**, Damla Elektrik Bobinaj, Hürriyet Mah. Aktaş Cad. No: 17/B, Telefon:0370 412 77 00. **Karaman**, Özüm Elektrik Bobinaj, Yeni San. Sit. 735. Sok. No: 2, Telefon:0338 212 32 69. **Kastamonu**, Teknik Bobinaj, İnönü Mah. İnebolu Cad. No: 132, Telefon:0366 212 62 26. **Kayseri**, Akın Elektrik Bobinaj, Eski San. Bölgesi 5. Cad. No: 8, Telefon: 0352 336 41 23. **Kocaeli**, Efe Elektrik Bobinaj, Körfez San. Sit. 12. Blok No: 11,Telefon: 0262 335 18 94. **Kocaeli**, Gülsoy Bobinaj, S. Orhan Mah. İlyas Bey Cad. 1111 Sok. No: 5/1 Gebze, Telefon: 0262 646 92 49. **Kocaeli**,Teknik Karot, Gaziler Mah. İbrahimğa Cad. No: 159/A Gebze, Telefon: 0262 642 26 86. **Konya**, MEB Murat Elk. Bobinaj ,Karatay San. Sit. Fatih Mah. Çiçekli Sok. No: 10, Telefon: 0332 235 64 63. **Konya**, Sözenler Bobinaj, Fevzi Çakmak Mah. Komsan İş Merkezi Anamur 10562 Sok.No: 8 Telefon: 0332 342 63 18. **Kütahya**, Doğan Bobinaj, Yeni San. Sit. 19. Sok. No: 32, Telefon: 0274 231 22 00, Malatya, Hedef Bobinaj, Akpınar Mah. Barbaros Sok. No:24/C, Telefon: 0422 324 45 12. Manisa, Çavuş Bobinaj, Kurtuluş Mah. Fatih Cad. No: 44/A Soma, Telefon: 0236 614 13 78. **Mardin**,Teknik Makina, Yenisehir Mah. 1928 Sk. YKM Yanı Günşenler Apt. Altı No:5, Telefon: 0482 212 97 26. **Mersin**, Coşkun Bobinaj, Mahmudiye Mah. 4810 Sok. No: 68 Akdeniz, Telefon: 0324 337 31 61. **Mersin**, Ünlü Bobinaj, Yeni Mah. Çiftçiler Cad. No:12/B Akdeniz , Telefon: 0324 233 44 29. **Muğla**, Başaran Teknik, Beldibi Cad. Sanayi Girişi No: 5/C Marmaris, Telefon: 0252 419 20 29, **Muğla**, General Elektrik Bobinaj, Tuzla Mah. Adnan Menderes Bulvarı No: 37/A, Telefon: 0252 612 38 34. **Muğla**, Sönmez Makine Bobinaj, Merkez Mh. M.Akif Ersoy Cd.Sabri Kaptan İş Mer No:6 Konacık, Telefon: 0252 382 97 80. **Nevşehir**, Aken Elektrik, Yeni San. Sit. 8. Blok No:49, Telefon: 0364 212 40 80. **Niğde**, Emek Motor, Eski San. Çarşısı 1. Blok No: 2, Telefon: 0388 232 83 59. **Sakarya**, Engin Elektrik Bobinaj, Maltepe Mah. Orhan Gazi Cad. Şehit Metin Akkuş Sok. No: 19, Telefon: 0264 291 05 67. **Sakarya**, 2V Megatronik, Güney Mobilyacılar San. 1288 Sok. No:22/A Erenler, Telefon: 0264 666 18 19. **Samsun**, Akış Bobinaj, Ulus Cad. San. Sit. Keresteciler Kısımı No: 40, Telefon: 0362 238 07 23, **Sivas**, Bayraktar Elektrik Camii Kebir Mah. Mekemeçarşısı Cad. No:40/C Telefon: 0346 221 47 55. **Şanlıurfa**, Ay Elektrik Samsat Kapıyaşarçığı Garajı No: 7, Telefon: 0414 215 74 76. **Tekirdağ**, Birkan Teknik Şehinsan Mah. Ereğli Sok. No: 25, Telefon: 0282 654 50 91. **Tekirdağ**, Çetin Elektrik Bobinaj 100. Yıl San. Sit. 14B Blok No: 10 Telefon: 0282 263 86 60. **Tokat**, Çetin Elektrik Bobinaj, San. Sit. Camii Altı No: 22, Telefon: 0356 214 63 07. **Trabzon**, Akçay Bobinaj Makina, Yaylacık Mah. Tosun San. Sit. No: 3 Akçaabat, Telefon: 0462 227 54 26. **Uşak**, Sistem Bobinaj, İslice Mah. Anaç Sok. No: 4/A,Telefon: 0276 223 47 72. **Van**, Özen Elektrik Bobinaj, Vahit Mithatbey Mah. Koçbey Cad. Armoni İş Merkezi No: 23 , Telefon:0432 214 22 27. **Yalova**, Deniz El. Ser. Hizmetleri , Hürriyet Mah. Devlet Yolu Üzeri No: 54/1, Telefon: 0226 461 22 43. **Zonguldak**, Aytekin Elektrik, Kışla San. Sit. I Blok No: 24 Kdz. Ereğli, Telefon:0372 316 39 71.

GB WARRANTY CARD

BY ГАРАНТЫЙНЫЙ ТАЛОН

RUS ГАРАНТИЙНЫЙ ТАЛОН

KZ КЕПІЛДІК ТАЛОН

UA ГАРАНТІЙНИЙ ТАЛОН

UZ ГАРАНТИЯ ЧИПТАСИ



GB months

BY месяцы

RUS месяца

KZ ай

UA місяці

24

UZ ой

GB Serial No.	Date of sale	Selling stamp, Signature
RUS Серийный номер	Дата продажи	Печать и подпись торговой организации
UA Серійний номер	Дата продажу	Печатка та підпис торгівельної організації
BY Серийны нумар	Дата продажы	Пячатка і подпіс гандлёвай установы
KZ Сериялық нөмір	Сату күні	Сауда ұйымының мөрі мен қолтанбасы
UZ Серия сони	Сотилган куни	Савдо корхонанинг мухр ва имзоси

№ 1

Order No. / Заказ № / Замовлення №

Date of receipt/ Дата поступления/ Дата прийому

Date of receipt/ Дата выдачи/ Дата видання

Stamp and signature of the service centre/
Печатать и подписать сервисного центра/
Печатка та підпис сервісного центру

№ 2

Order No. / Заказ № / Замовлення №

Date of receipt/ Дата поступления/ Дата прийому

Date of receipt/ Дата выдачи/ Дата видання

Stamp and signature of the service centre/
Печатать и подписать сервисного центра/
Печатка та підпис сервісного центру

№ 3

Order No. / Заказ № / Замовлення №

Date of receipt/ Дата поступления/ Дата прийому

Date of receipt/ Дата выдачи/ Дата видання

Stamp and signature of the service centre/
Печатать и подписать сервисного центра/
Печатка та підпис сервісного центру

№ 4

Order No. / Заказ № / Замовлення №

Date of receipt/ Дата поступления/ Дата прийому

Date of receipt/ Дата выдачи/ Дата видання

Stamp and signature of the service centre/
Печатать и подписать сервисного центра/
Печатка та підпис сервісного центру



№ 1

Order No. / Заказ № / Замовлення №

Date of receipt/ Дата поступления/ Дата прийому

Stamp and signature of the service centre/
Печатать и подписать сервисного центра/
Печатка та підпис сервісного центру

№ 2

Order No. / Заказ № / Замовлення №

Date of receipt/ Дата поступления/ Дата прийому

Stamp and signature of the service centre/
Печатать и подписать сервисного центра/
Печатка та підпис сервісного центру

№ 3

Order No. / Заказ № / Замовлення №

Date of receipt/ Дата поступления/ Дата прийому

Stamp and signature of the service centre/
Печатать и подписать сервисного центра/
Печатка та підпис сервісного центру

№ 4

Order No. / Заказ № / Замовлення №

Date of receipt/ Дата поступления/ Дата прийому

Stamp and signature of the service centre/
Печатать и подписать сервисного центра/
Печатка та підпис сервісного центру

№ 4	№ 3	№ 2	№ 1
Заказ №/Талсырыс №/Буюртма №	Заказ №/Талсырыс №/Буюртма №	Заказ №/Талсырыс №/Буюртма №	Заказ №/Талсырыс №/Буюртма №
Дата прыемки/Кабылдау күні/Кабул килинган күни	Дата прыемки/Кабылдау күні/Кабул килинган күни	Дата прыемки/Кабылдау күні/Кабул килинган күни	Дата прыемки/Кабылдау күні/Кабул килинган күни
Дата выдачы/Беру күні/Кайтарыб берилган күни	Дата выдачы/Беру күні/Кайтарыб берилган күни	Дата выдачы/Беру күні/Кайтарыб берилган күни	Дата выдачы/Беру күні/Кайтарыб берилган күни
Пачатка і подпіс сэрвіснага цэнтра/ Сервіс орталығының мөрі мен колтанбасы/ Сервіс марказининг муҳр ва имзоси	Пачатка і подпіс сэрвіснага цэнтра/ Сервіс орталығының мөрі мен колтанбасы/ Сервіс марказининг муҳр ва имзоси	Пачатка і подпіс сэрвіснага цэнтра/ Сервіс орталығының мөрі мен колтанбасы/ Сервіс марказининг муҳр ва имзоси	Пачатка і подпіс сэрвіснага цэнтра/ Сервіс орталығының мөрі мен колтанбасы/ Сервіс марказининг муҳр ва имзоси
----- № 4	----- № 3	----- № 2	----- № 1
Заказ №/Талсырыс №/Буюртма №	Заказ №/Талсырыс №/Буюртма №	Заказ №/Талсырыс №/Буюртма №	Заказ №/Талсырыс №/Буюртма №
Дата прыемки/Кабылдау күні/Кабул килинган күни	Дата прыемки/Кабылдау күні/Кабул килинган күни	Дата прыемки/Кабылдау күні/Кабул килинган күни	Дата прыемки/Кабылдау күні/Кабул килинган күни



АВТОРИЗОВАННЫЕ СЕРВИСНЫЕ ЦЕНТРЫ



Сервисная сеть BLACK+DECKER постоянно расширяется.
Информацию об обслуживании в других городах Вы можете получить по телефонам
в Москве: (495) 258 39 81/2/3, в Киеве: (044) 238 95 94, www.blackanddecker.ru

„Исправный и полностью укомплектованный товар получил(а), с гарантийными условиями ознакомлен(а)/
Справний та повністю укомплектований товар отримав(ла), з гарантійними забор'язаннями ознайомлен(а)/
Спра ны і по насцю укомплектаваны тавар атрыма(ла), з гарантійнымі умовамі азнаёмлены(а)/
Т зу ж не толы жина тал ан тауар абылдадым, кепілдік шарттарымен таныстым/
Т затилган ва тулик комплектли махсулотни олдим, гарантия шартлари билан танишиб чикдим“

Подпись покупателя/ Підпис покупця/ Подпис закупника/ Сатып алушыны олтанбасы/ Хариддорнинз имзоси

İTHALATÇI FİRMA

Ünvanı : Kale Hırdavat ve Makina A.Ş.
Adresi : Defterdar Mah. Savaklar Cad. No:15 Edirnekapı - Eyüp / İSTANBUL
Telefon No. : (0212) 533 52 55 (Pbx)
Faks No. : (0212) 533 10 05
E-mail : info@kalemakina.com



ÜRÜNÜN

Cinsi :
Markası : BLACK+DECKER
Modeli :
Seri Numarası :
Garanti Süresi : 2 YIL
Azami Tamir Süresi : 20 İŞ GÜNÜ

SATICI FİRMANIN

Ünvanı :
Adresi :
Telefon No. :
Faks No. :
Fatura Tarih ve No. :
Ürün Teslim Tarihi :
Ürün Teslim Yeri :
Belgeyi Dolduranın Adı Soyadı :

Kaşe - Yetkili İmza

GARANTİ ŞARTLARI

- Garanti süresi, malın teslim tarihinden itibaren başlar ve 2 yıldır.
- Malın bütün parçaları dahil olmak üzere tamamı firmamızın garantisine kapsamındadır.
- Malın ayıplı olduğunun anlaşılması durumunda tüketici, 6502 sayılı Tüketicinin Korunması Hakkında Kanunun 11 inci maddesinde yer alan;
a- Sözleşmeden dönme,
b-Satış bedelinden indirim isteme
c-Ücretsiz onarılmasını isteme
d-Satılanın ayıpsız bir misli ile değiştirilmesini isteme,
haklarından birini kullanabilir.
- Tüketicinin bu haklardan ücretsiz onarım hakkını seçmesi durumunda satıcı; işçilik masrafı, değiştirilen parça bedeli ya da başka herhangi bir ad altında hiçbir ücret talep etmeksizin malın onarımını yapmak veya yaptırmakla yükümlüdür. Tüketici ücretsiz onarım hakkını üretici veya ithalatçıya karşı da kullanabilir.
Satıcı, üretici ve ithalatçı tüketicinin bu hakkını kullanmasından müteselsilen sorumludur.
- Tüketicinin, ücretsiz onarım hakkını kullanması halinde malın;
- Garanti süresi içinde tekrar arızalanması,
- Tamiri için gereken azami sürenin aşılması,
- Tamirinin mümkün olmadığının, yetkili servis istasyonu, satıcı, üretici veya ithalatçı tarafından bir raporla belirlenmesi durumlarında; tüketici malın bedel iadesini, ayıp oranında bedel indirimini veya imkan varsa malın ayıpsız misli ile değiştirilmesini satıcıdan talep edebilir.
- Satıcı, tüketicinin talebini reddedemez. Bu talebin yerine getirilmemesi durumunda satıcı, üretici ve ithalatçı müteselsilen sorumludur.
- Malın tamir süresi 20 iş gününü geçemez. Bu süre, garanti süresi içerisinde mala ilişkin arızanın yetkili servis istasyonuna veya satıcıya bildiri tarihinde, garanti süresi dışında ise malın yetkili servis istasyonuna teslim tarihinden itibaren başlar. Malın arızasının 10 iş günü içerisinde giderilmemesi halinde, üretici veya ithalatçı; malın tamiri tamamlanıncaya kadar, benzer özelliklere sahip başka bir malı tüketicinin kullanımına tahsis etmek zorundadır. Malın garanti süresi içerisinde arızalanması durumunda, tamirde geçen süre garanti süresine eklenir.
- Malın kullanma kılavuzunda yer alan hususlara aykırı kullanılmasından kaynaklanan arızalar garanti kapsamı dışındadır.
- Garanti kapsam şartları;
a-Ürün hatalı kullanılmamıştır.
b-Ürün yıpranmamış, hırpalanmamış ve aşınmamıştır.
c-Yetkili olmayan kişilerce tamire çalışılmamıştır.
d-Satın alma belgesi (fatura) ibraz edilmiştir.
e-Ürün, tüm orijinal parçaları ile iade edilmiştir.
- Tüketici, garantiden doğan haklarının kullanılması ile ilgili olarak çıkabilecek uyuşmazlıklarda yerleşim yerinin bulunduğu veya tüketici işleminin yapıldığı yerdeki Tüketici Hakem Heyetine veya Tüketici Mahkemesine başvurabilir.
- Satıcı tarafından Garanti Belgesinin verilmemesi durumunda, tüketici Gümrük ve Ticaret Bakanlığı Tüketicinin Korunması ve Piyasa Gözetimi Genel Müdürlüğüne başvurabilir.

EEE Yönetmeliğine uygundur.

KULLANMA KILAVUZU İÇİN EK BİLGİLER

-Taşıma ve nakliye sırasında dikkat edilecek hususlar;
Cihazı taşıma ve nakliye esnasında hasar verecek şekilde taşınmamalı, bir yerden bir yere fırlatılmamalı, istifleme yapılırken dikkat edilmeli.

-Gümrük ve Ticaret Bakanlığı uyarınca belirlenen kullanım ömürleri aşağıdaki gibidir;

Testere Makineleri	7 yıl
Polisaj Makineleri	7 yıl
Matkaplar	7 yıl
Vidalama Makineleri	7 yıl
Zımpara Makineleri	7 yıl
Elektrikli Süpürgeler	10 yıl
Jeneratörler	10 yıl
Akümülatörler	5 yıl
Kesintisiz Güç Kaynakları	5 yıl
Dönüştürücüler	3 yıl
Çim-Ot-Çit Kesme Makineleri	5 yıl
Çim Biçme Makineleri	5 yıl
Zincirli Testere Makineleri	5 yıl
Çapalama Makineleri	5 yıl
Araç Buzdolapları	10 yıl
Buharlı Temizlik Makineleri	10 yıl

-Malın ayıplı olduğunun anlaşılması durumunda tüketici, 6502 sayılı Tüketici Korunması Hakkında Kanunun 11 inci maddesinde yer alan;

- Sözleşmeden dönme,
- Satış bedelinden indirim isteme
- Ücretsiz onarılmasını isteme
- Satılanın ayıpsız bir misli ile değiştirilmesini isteme,

haklarından birini kullanabilir.

-Tüketici, garantiden doğan haklarının kullanılması ile ilgili olarak çıkabilecek uyuşmazlıklarda yerleşim yerinin bulunduğu veya tüketici işleminin yapıldığı yerdeki Tüketici Hakem Heyetine veya Tüketici Mahkemesine başvurabilir.



WARRANTY REGISTRATION CARD

YOUR NAME/الإسم

YOUR ADDRESS العنوان

POSTCODE الرمز البريدي

DATE OF PURCHASE تاريخ الشراء

DEALER'S NAME & ADDRESS/إسم و عنوان البائع

Large empty rounded rectangular box for additional information or signature.

PRODUCT MODEL NO. CS3651LC



